

## INSTALLATION / WARRANTY INSTRUCTIONS

PRODUCT BRAND: PIERLITE

PRODUCT NAME: Nexus SB spigot

PRODUCT CODE: NXASLSD3T14, NXASLSD3T44, NXASLSD3T54, NXASLSD3M2T14, NXASLSD3M2T44, NXASLSD3M2T54  
NXASLSD4T14, NXASLSD4T44, NXASLSD4T54, NXASLSD4M2T14, NXASLSD4M2T44, NXASLSD4M2T54  
NXASLSDAT14, NXASLSDAT44, NXASLSDAM2T14, NXASLSDAM2T44  
NXASLSDGM2T54

Issue Date: 21 June 2024

Please read these installation instructions carefully before installing or maintaining this equipment. The product is designed for installation and maintenance in accordance with relevant Australian standards (AS/NZ3000), by an authorised and licensed electrician. The installation instructions were correct at the time of print. To reflect changes in technology and Australian and New Zealand standards; Pierlite reserves the right to amend the instructions without notice. Updated guidelines can be found on relevant brand web site.



### 1. PRODUCT SPECIFICATION:

Product	NXASLSD3T14, NXASLSD3M2T14 NXASLSD3T44, NXASLSD3M2T44 NXASLSD3T54, NXASLSD3M2T54	NXASLSD4T14, NXASLSD4M2T14 NXASLSD4T44, NXASLSD4M2T44 NXASLSD4T54, NXASLSD4M2T54	NXASLSDAT14, NXASLSDAM2T14 NXASLSDAT44, NXASLSDAM2T44	NXASLSDGM2T54
Type of protection	Class I luminaire			
Type of protection	IP66			
IK rating	IK10			
IC Rating	N/A			
Nominal voltage	220 to 240Vac			
Nominal frequency	50/60 Hz			
Number of wattages per fitting	3			
Available wattages	Refer to section 4			
Power factor	Refer to section 4			
Surge protection rating	L-N 10KV/5KA, L-E: 10KV/5KA, N-E: 10KV/5KA			
Inrush current	Cold start 10A (twidth=200µs Measured at 50% Ipeak) at 230VAC			
Earth leakage	≤0.7mA			
Rated operating ambient temperature	0 to +50°C			
LED lifetime	<ul style="list-style-type: none"> <li>Reported &gt;84,000 hours (L70/B10) +50°C</li> <li>Calculated 210,000 hours (L70/B10) @ +50°C</li> <li>Reported 57,000 hours (L90/B10) @ +50°C</li> </ul>	Reported 42,000 hours (L70/B10) +50°C Calculated 138,000 hours (L70/B10) @ +50°C	Reported >60,000 hours (L70/B10) +50°C Calculated >123,000 hours (L70/B10) @ +50°C	
Colour temperature	3000K	4000K	Amber	Green
Colour rendering index (CRI)	>80	>80	/	/
LED control gear	DALI / Lumen selected			
Available in emergency	Yes, self-testing			
Emergency battery technology	2-hour Lithium Iron Phosphate (LiFePO4)			
Electrical connection	4.5m long 2c+E 2.5mm <sup>2</sup> heavy duty orange circular 1KV UV protected via 6.0mm <sup>2</sup> terminal block for standard 4.5m long 3c+E 2.5mm <sup>2</sup> heavy duty orange circular 1KV UV protected via 6.0mm <sup>2</sup> terminal block for Emergency			
Cable type	X: A specially prepared flexible cable or cord, may also include a part of the luminaire and only available from manufacture.			
Cable gland	1x 20mm cable gland – accepts cable diameter size 10mm – 14mm +/- 0.3mm			
Installation type	34mm to 42mm Ø Spigot			
Dimensions (LxWxH)	Refer to table in section 6			
Net weight of luminaire	Refer to table in section 6			
Warranty	Luminaire: 5 years Emergency Battery: 4 years			
Suitability	Indoor and outdoor			
Suitable for rough service	Yes			

### 2. CONSUMABLES

Description	QTY Required Per Fitting	Brand	Component Part Number	Dimensions (LxWxH) mm
2 hour duration 6.4V 3200mAh Side by side pack	1	Pierlite	DGLCEM3200/2L21	70 x 53 x 31

### 3. SERVICE & OPERATION (EMERGENCY VERSION)

Normal Operation: Maintained Emergency Operation.

Battery: Sealed **Lithium Iron Phosphate (LiFePO4)** rechargeable battery pack. As per AS/NZS 2293, it is required that the battery pack is discharged and recharged at least once every 6 months.

In case of a replacement, same brand and type of battery pack must be used. Allow 24 hours charging time before carrying out any discharge tests.

Charge Duration: 16 Hours

Discharge Duration: M2 = 2 Hours for standard emergency or M4 = 4 hours for rail/heavy industry emergency (Initial Test)

Test Switch: If manual test switch pressed, the fixture will operate from its battery supply.

Please ensure battery plug is connected to the inverter battery terminal.

**Emergency Classification:** NXASLSD3M2T14 C0/C180: D32 & C90/C270: D80, NXASLSD3M2T44 C0/C180: D100 & C90/C270: D40, NXASLSD3M2T54 C0/C180: D63 & C90/C270: D63  
 NXASLSD4M2T14 C0/C180: D40 & C90/C270: D80, NXASLSD4M2T44 C0/C180: D100 & C90/C270: D50, NXASLSD4M2T54 C0/C180: D63 & C90/C270: D63  
 NXASLSDAM2T14 C0/C180: D20 & C90/C270: D80, NXASLSDAM2T44 C0/C180: D100 & C90/C270: D20  
 NXASLSDGM2T54 C0/C180: D100 & C90/C270: D100

**WARNING: ALL MAINTENANCE, SUCH AS BATTERY CHANGE ON THIS LUMINAIRE, TO BE PERFORMED BY QUALIFIED PERSONNEL ONLY, DE-ENERGISE ALL SUPPLIES BEFORE MAINTENANCE.**

**WARNING: The light source contained in this luminaire shall only be replaced by the manufacturer or his service agent or a similar qualified person.**

### 4. LUMEN SELECT TABLE (contractor selectable output)

Pierlite's lumen select products allows all licensed electricians to purchase one luminaire that can be set as multiple fixed wattages/ fixed lumen outputs. By offering this capability within one fitting it provides the following benefits

- One fitting multiple fixed outputs
- Less stocked items
- Easy to change settings
- IES files available for all available for wattages shown in the above table
- No control system or software required to change fixed output

The lumen output can be altered by changing the driver dip switches from the factory default setting to the driver milli-amps as specified in the table. Dip switches are located on the back of the gear tray. To access to the dip switch, please open the luminaire from 4 screws in the corners, to assemble the luminaire back, please use torque setting Max 1.2 Nm.

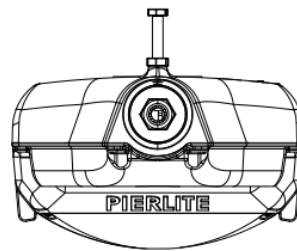
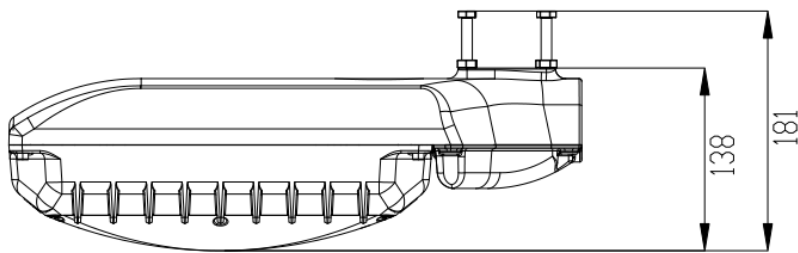
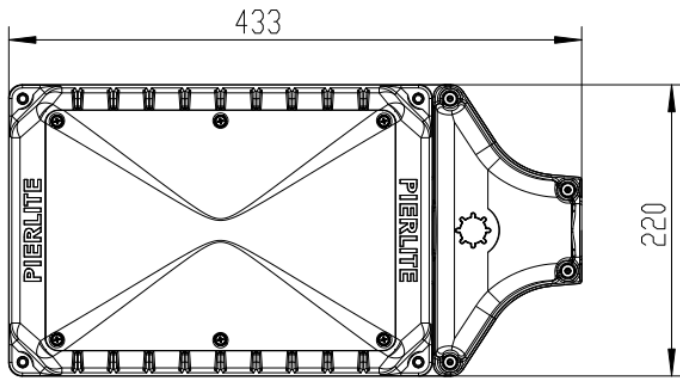
Product Code#	Power (W)	Emergency Wattage (W)	Line Current (A)	Lumen Output (Lm)	Power Factor	CCT (K)	Optics	Emergency	Notes
NXASLSD3T14	70	N/A	0.303	8900	0.96	3000K	T1	No	Default
	55		0.245	7300	0.96				
	38		0.173	5100	0.90				
NXASLSD3T44	70	N/A	0.303	9000	0.96	3000K	T4	No	Default
	55		0.245	7400	0.96				
	38		0.173	5200	0.90				
NXASLSD3T54	70	N/A	0.303	9500	0.96	3000K	/	No	Default
	55		0.245	7800	0.96				
	38		0.173	5500	0.90				
NXASLSD4T14	70	N/A	0.303	9100	0.96	4000K	T1	No	Default
	55		0.245	7500	0.96				
	38		0.173	5300	0.90				
NXASLSD4T44	70	N/A	0.303	9400	0.96	4000K	T4	No	Default
	55		0.245	7700	0.96				
	38		0.173	5300	0.90				
NXASLSD4T54	70	N/A	0.303	10000	0.96	4000K	/	No	Default
	55		0.245	8200	0.96				
	38		0.173	5700	0.90				
NXASLSDAT14	70	N/A	0.303	6100	0.96	Amber	T1	No	Default
	55		0.245	5200	0.96				
	38		0.173	3800	0.90				
NXASLSDAT44	70	N/A	0.303	6200	0.96	Amber	T4	No	Default
	55		0.245	5300	0.96				
	38		0.173	3800	0.90				

NXASLSD3M2T14	70	5W	0.303	8900	0.96	3000K	T1	Yes	Default
	55		0.245	7300	0.96				
	38		0.173	5100	0.90				
NXASLSD3M2T44	70	5W	0.303	9000	0.96	3000K	T4	Yes	Default
	55		0.245	7400	0.96				
	38		0.173	5200	0.90				
NXASLSD3M2T54	70	5W	0.303	9500	0.96	3000K	/	Yes	Default
	55		0.245	7800	0.96				
	38		0.173	5500	0.90				
NXASLSD4M2T14	70	5W	0.303	9100	0.96	4000K	T1	Yes	Default
	55		0.245	7500	0.96				
	38		0.173	5300	0.90				
NXASLSD4M2T44	70	5W	0.303	9400	0.96	4000K	T4	Yes	Default
	55		0.245	7700	0.96				
	38		0.173	5300	0.90				
NXASLSD4M2T54	70	5W	0.303	10000	0.96	4000K	/	Yes	Default
	55		0.245	8200	0.96				
	38		0.173	5700	0.90				
NXASLSDAM2T14	70	5W	0.303	6100	0.96	Amber	T1	Yes	Default
	55		0.245	5200	0.96				
	38		0.173	3800	0.90				
NXASLSDAM2T44	70	5W	0.303	6200	0.96	Amber	T4	Yes	Default
	55		0.245	5300	0.96				
	38		0.173	3800	0.90				
NXASLSDGM2T54	60	5W	0.262	8000	0.96	Amber	T4	Yes	Default
	50		0.212	7000	0.96				
	32		0.154	5000	0.90				

**Note:** Make sure to disconnect power before changing a DIP switch on the luminaries. Setting the DIP switches according to the above ONLY. All other settings may affect the luminaries' performance.

#### 5. LINE DIAGRAMS AND DIMENSIONS

Length (mm)	Width (mm)	Height (mm)	Spigot adaptor	Weight in (kg)
433	220	138	∅ 34-42mm	Standard: 7.7kg Emergency: 8.3kg



**6. INSTALLATION / GENERAL:** Installation of the product is to be completed by an authorized and licensed electrician, in accordance with these instructions, relevant Australia standards and local regulations (where applicable). Termination of product wiring, together with the installation of the product must be in a manner and orientation that maintains the integrity of the designated IP rating of the product for electronic control equipment (when supplied) DO NOT MEGGER between A and N.

#### Installation:

#### Tools Required

- M8 out hexagon driver

1. Isolate the supply circuit as per the Australian standard and your SWMS.
2. Insert cable into pole or spigot.
3. Place fitting onto pole or spigot.
4. Secure the luminaire to the pole or spigot by tightening the two bolts. A 13mm socket will be required to tighten these bolts.
5. Connect the supply wires to the cable supplied with the luminaire. Ensure all connection, cabling and the installation complies to AS3000 and local wiring rules.

**Note:** Ensure the correct wires go to the correct terminals as per below Luminaire with only general/mains lighting

#### Non-emergency luminaire electrical connections

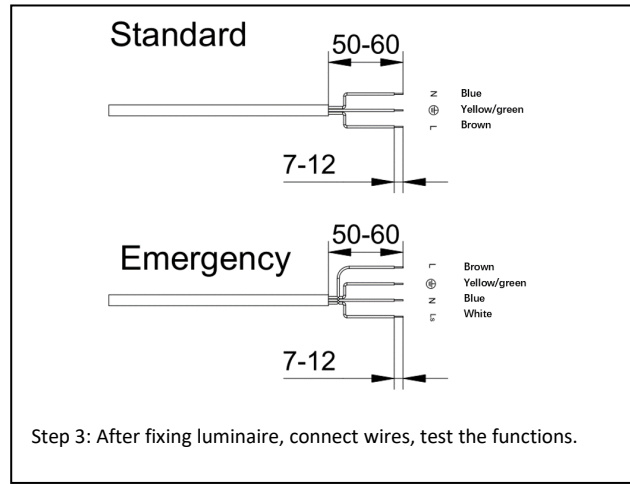
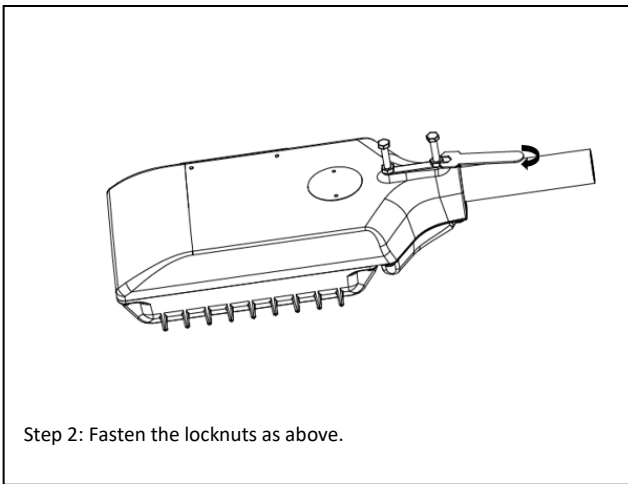
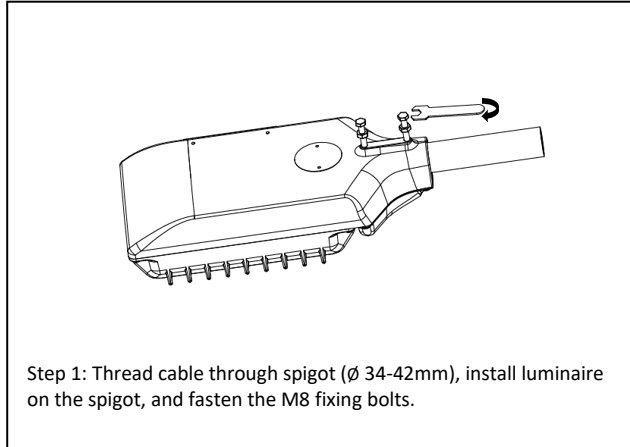
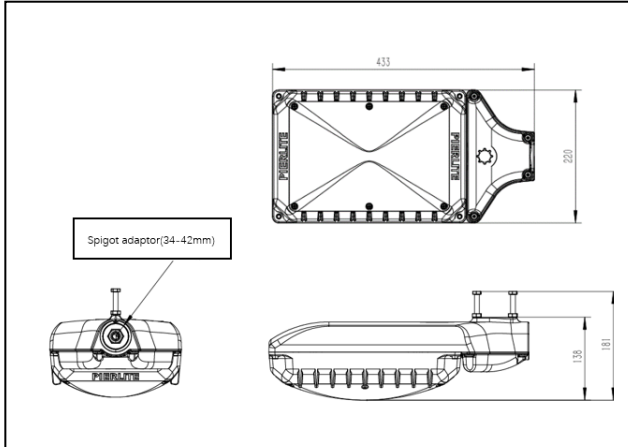
- a. Connect earth into E terminal (Yellow/Green line)
- b. Connect Neutral into N terminal (Blue line)
- c. Connect active into L terminal (Brown line)

#### Emergency luminaire electrical connections

- a. Connect earth into E terminal (Yellow/Green line)
- b. Connect Neutral into N terminal (Blue line)
- c. Connect active into L switch terminal (Brown line)
- d. Connect unswitched active into L terminal (white line)

6. Open the luminaire with M5 Torx screwdriver, Set the luminaire output (70W/55W/ 38W) and fix it back well. If use the default set 55W, neglect this step.
7. Ensure the IP rating of the installation is equal to that of the tested IP rating of the fitting, this includes installing the supply cable of no less than 10mm in diameter. **Note:** the IP rating of the fitting is IP66.
8. Test fitting as per the relevant Australian standard and as per your SWMS.

## Installation process



**IMPORTANT** - the product must be maintained and operated in accordance with the manufacturer's instructions, failure to do so may damage the product and services. It is strongly recommended that this important note be communicated to the owner and or operator of the installation at the time of site commissioning. Good practice does not recommend the 24/7 use of products without the application of suitable switch cycle intervals. Furthermore, with the omission of nominated survival curves and or recommended operating hours, product design expectations provide for a continual daily usage of 6 hours for residential applications and a continual daily usage of 12 hours for commercial and industrial applications. All products must be thoroughly cleaned on a regular basis at intervals that reflect in the installation environment, ensuring the optical performance, together with the electrical, mechanical, and structural integrity as designed, is maintained throughout the service life of the product.

**APPROVALS:** The RCM marking of this product applies to AS/NZS CISPR15 (EMC) "Limits and methods of measurement of radio disturbance characteristics of electrical lighting and similar equipment". This product is designed to conform to AS/NZS60598 "Luminaires, general requirements and tests".



**STORAGE:** Prior to installation products are to be stored in cool and dry conditions.

**APPLICATION:** The installation application and orientation of the product is designed in accordance with the nominated product IP rating, class designation and these installation installations. Installation environments outside these conditions are not recommended.

### MAINTENANCE:

(a) The supply must be isolated before opening or accessing the luminaire. Product maintenance is **IMPORTANT** and is critical to the products designed performance. The product is to be maintained in accordance with the manufacturer's instructions. For the latest product maintenance guides please go to relevant brand web site. Pierlite is not responsible for any product not maintained in accordance with the recommended procedure or intervals.

(b) **Lamps (where provided):** The product is designed with the supplied (LEDs) / LAMP/s and it is strongly recommended that any LAMP / (LEDs) changes (if any) be made in accordance with the type, colour and brand supplied. For recommended LAMP / LED maintenance or operating guides (inclusive of recommended product switch cycles and mandatory run-in procedures for HID and Fluorescent lamps when used with dimming circuits), Pierlite recommends the application of the lamp manufacturer's operating guidelines, which can be found on manufacturer's website. Pierlite is not responsible for the product performance of alternative lamp/s used. As a member of FluroCycle, we encourage recycling of lamps and components.

(c) **Battery (where provided):** The battery is designed with a rated average battery design life in standby mode and is supported with a standard warranty (refer to product specifications for details); conditional of the product being maintained and operated in accordance with the manufacturer's guidelines and tested in accordance with AS/NZS2293. For guidelines see product installation instructions or visit the relevant brand web site.

(d) **For products supplied with glass visors or covers,** do not operate the product with a damaged visor or cover; it is recommended the product be turned off, area surrounding the product vacated, and the damaged glass replaced by a professional installer immediately.

(e) **Cables or cords,** If Any external cable or cord of the X or Y type luminaire is damaged, it shall be replaced by a qualified person or manufactures service agent.

For Z type attachments to luminaire, cord cannot be replaced if damaged, the luminaire shall be removed from service.

#### Flex cord types.

- X: A specially prepared flexible cable or cord, may also include a part of the luminaire and only available from manufacture.
- Y: Attachment may be used either with ordinary or special flexible cable or cord.
- Z: Attachment of cable or cord that cannot be replaced without damage to luminaire

**WARRANTY INSTRUCTIONS:** For the purpose of warranty claims (if any) the following instructions apply:



**Warranty period** - The above components are provided with a warranty (refer to product specifications for details) against manufacturing defects or failure to perform to specifications for products installed by an authorised installer in accordance with the manufacturer's installation instructions and which have not been subject to incorrect operation or maintenance, unauthorised modification or damage arising from any intervening cause.

**Warranty reference** - The warranty reference date commences from the date of purchase.

**Warranty point of contact** – Pierlite, 96 Gow Street Padstow NSW 2211, phone T 1300 799 300 contact – Pierlite After Sales Support.

**Warranty claim procedure** – For the purpose of making a claim the customer must:

1. Contact the "point of contact" above and upon provision of proof of purchase the customer will receive a goods return advice (GRA) number.
2. At the customer's expense, collect and return the goods to the "point of contact" with the issued GRA number.
3. Upon receipt of the goods, Pierlite will review the claim and if found to be accepted, Pierlite will return a replacement product to the customer to install at the customer's expense. Alternatively, if the claim is rejected, the customer may request the return of the goods at their expense.

**Consumer Contracts** - The benefits to the customer given by the Pierlite warranty are in addition to other rights and remedies of the customer if the goods are the subject of a Consumer Contract under the Australian Consumer Law. In that event the following statement is required to be brought to the Consumer's attention: - *Our goods come with guarantees that cannot be excluded under the Australian Consumer Law. You are entitled to a replacement or refund for a major failure and for compensation for any other reasonably foreseeable loss or damage. You are also entitled to have the goods repaired or replaced if the goods fail to be of acceptable quality and the failure does not amount to a major failure.*





**Limitation of Liability** – if the goods are not purchased by the customer under a Consumer Contract within the Australian Consumer Law then but not otherwise;- (a) the Company is not liable in tort for any loss or damage suffered by the customer or by any third party; and (b) in no circumstances is Pierlite liable to the customer or to any third party for any loss of profits, loss of anticipated savings, economic loss or interruption of business or for any indirect or consequential loss (Consequential Loss).

**Terms of Sale** – these warranty provisions are in substitution for any inconsistent provisions in the Pierlite Terms and Conditions of Sale in so far as they apply to the warranty components.

# NEXUS SB BULKHEAD



## MOUNTING ACCESSORIES

PART NUMBER	MOUNTING BRACKET/ ACCESSORY	MANUFACTURED FROM	SECURED BY	Mounting Position	IMAGES
NXS36	Nexus SB surface mount bracket Set (pair)	316 stainless steel with RAL9007 powder coating	Hex M6 taptite screws	Horizontal only	
NXS39	Nexus SB 0° / 22° / 45° angle adjustable bracket	316 stainless steel with RAL9007 powder coating	Hex M6 taptite screws	Vertical or horizontal	
NXSPMB	Pipe mount bracket 32mmØ / 40mmØ / 65mmØ OD	316 stainless steel with RAL9007 powder coating	Hex M6 taptite screws	Vertical or horizontal	
NXSTRN	Trunnion arm	316 stainless steel with RAL9007 powder coating	Hex M6 taptite screws	Vertical or horizontal	
NXSWG	Wireguard	316 stainless steel	Philips head screws	N/A	