

## INSTALLATION / WARRANTY INSTRUCTIONS

PRODUCT BRAND: PIERLITE

PRODUCT NAME: Linear Highbay

PRODUCT CODE: See below table

Issue Date: 01/02/2024

Please read these installation instructions carefully before installing or maintaining this equipment. The product is designed for installation and maintenance in accordance with relevant Australian standards (AS/NZ3000), by an authorized and licensed electrician. The installation instructions were correct at the time of print. To reflect changes in technology and Australian and New Zealand standards; Pierlite reserves the right to amend the instructions without notice. Updated guidelines can be found on relevant brand web site.



### 1. PRODUCT SPECIFICATION:

|                                     |   |   |
|-------------------------------------|---|---|
| Item code                           | PLNHB180LS4120 , PLNHB180LS5120<br>PLNHB180LS420/110 , PLNHB180LS520/110<br>PLNHB180LS440/130 , PLNHB180LS540/130<br>PLNHB180LS460/90 , PLNHB180LS560/90                                    | PLNHB280D4120 , PLNHB280D5120<br>PLNHB280D420/110 , PLNHB280D520/110<br>PLNHB280D440/130 , PLNHB280D540/130<br>PLNHB280D460/90 , PLNHB280D560/90  |
| Type of protection                  | Class I luminaire   |   |
| IP rating                           | IP65  |   |
| IK rating                           | IK08  |   |
| IC rating                           | N/A   |   |
| Nominal voltage                     | 220V to 240Vac  |   |
| Nominal frequency                   | 50/60 Hz  |   |
| Number of wattages per fitting      | 4 power selections per fitting  | DALI dimming  |
| Available wattages                  | Refer to section 2  |   |
| Power factor                        | Refer to section 2  |   |
| Surge protection rating             | L-N 6KV, L-E: 10KV, N-E: 10KV<br>Maximum impulse voltage, 6KV   |   |
| Inrush current                      | Cold start 110A at 150us (50% peak)<br>Measured at 100% load at 220Vac  | Cold start 110 A at 500 us (50% peak)<br>Measured at 100% load at 220Vac  |
| Flicker Max %                       | PstLM <=1, SVM<=0.4   |   |
| Earth leakage                       | <0.7mA  |   |
| Rated operating ambient temperature | 0°C to +50°C  |   |
| LED lifetime                        | <ul style="list-style-type: none"> <li>Rated 54,000 hours (L70/B50) +50°C</li> <li>Calculated 148,000 hours (L70/B50) @ +50°C</li> <li>Calculated 45,000 hours (L90/B10) @ +50°C</li> </ul> | <ul style="list-style-type: none"> <li>Rated 54,000 hours (L70/B50) +50°C</li> <li>Calculated 126,000 hours (L70/B50) @ +50°</li> <li>Calculated 38,000 hours (L90/B10) @ +50°</li> </ul> |
| Colour temperature                  | 4000K or 5000K  |   |
| Colour rendering index (CRI)        | 85  |   |
| LED control gear                    | Lumen selects   | Dali2   |
| Available in emergency              | N/A   |   |
| Emergency battery technology        | N/A   |   |
| Electrical connection               | Supplied with 1.7m long 3-pin flex and plug   | Supplied with 1.7m long 3-pin flex and plug and 2-pin dali flex   |
| Cable type                          | Z   |   |
| Cable entry                         | N/A   |   |
| Installation type                   | Fixed   |   |
| Dimensions (LxWxH)                  | 1067x185x97mm   |   |
| Net weight of luminaire             | 5.2KG   | 6.5KG   |
| Warranty                            | 5 years   |   |
| Suitability                         | Indoor  |   |
| Suitable for rough service          | Yes   |   |

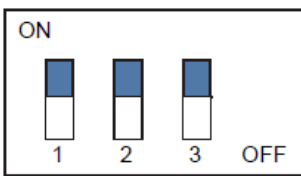
### 2. LUMEN SELECT TABLE (contractor selectable output)

Pierlite's lumen select products allows all licensed electricians to purchase one luminaire that can be set as multiple fixed wattages/fixed lumen outputs. By offering this capability within one fitting it provides the following benefits

- One fitting multiple fixed outputs
- Less stocked items
- Easy to change settings
- IES files available for all available for wattages shown in the above table
- No control system or software required to change fixed output

The lumen output can be altered by changing the driver dip switches from the factory default setting to the driver milli-amps as specified in the table. Dip switches are located next to suspension hook of the Highbay.

| Product Code#     | Power (W)     | Line Current (A) | Lumen Output (lm) | Power Factor | Dip Switch Settings |     |     | Dali | CCT (K) |
|-------------------|---------------|------------------|-------------------|--------------|---------------------|-----|-----|------|---------|
|                   |               |                  |                   |              | 1                   | 2   | 3   |      |         |
| PLNHB180LS4120    | 182 (default) | 0.78             | 26500             | 0.97         | Off                 | Off | Off | No   | 4000K   |
|                   | 150           | 0.68             | 22500             | 0.96         | On                  | Off | Off |      |         |
|                   | 120           | 0.55             | 18500             | 0.93         | Off                 | On  | Off |      |         |
|                   | 90            | 0.43             | 14500             | 0.89         | Off                 | Off | On  |      |         |
| PLNHB180LS5120    | 180 (default) | 0.78             | 26500             | 0.97         | Off                 | Off | Off | No   | 5000k   |
|                   | 150           | 0.68             | 22500             | 0.96         | On                  | Off | Off |      |         |
|                   | 120           | 0.55             | 18500             | 0.93         | Off                 | On  | Off |      |         |
|                   | 90            | 0.43             | 14500             | 0.89         | Off                 | Off | On  |      |         |
| PLNHB180LS420/110 | 180 (default) | 0.78             | 25300             | 0.97         | Off                 | Off | Off | No   | 4000K   |
|                   | 150           | 0.68             | 21800             | 0.96         | On                  | Off | Off |      |         |
|                   | 120           | 0.55             | 18000             | 0.93         | Off                 | On  | Off |      |         |
|                   | 90            | 0.43             | 14000             | 0.89         | Off                 | Off | On  |      |         |
| PLNHB180LS520/110 | 180 (default) | 0.78             | 25300             | 0.97         | Off                 | Off | Off | No   | 5000K   |
|                   | 150           | 0.68             | 21800             | 0.96         | On                  | Off | Off |      |         |
|                   | 120           | 0.55             | 18000             | 0.93         | Off                 | On  | Off |      |         |
|                   | 90            | 0.43             | 14000             | 0.89         | Off                 | Off | On  |      |         |
| LNHB180LS440/130  | 180 (default) | 0.78             | 25300             | 0.97         | Off                 | Off | Off | No   | 4000K   |
|                   | 150           | 0.68             | 21800             | 0.96         | On                  | Off | Off |      |         |
|                   | 120           | 0.55             | 18000             | 0.93         | Off                 | On  | Off |      |         |
|                   | 90            | 0.43             | 14000             | 0.89         | Off                 | Off | On  |      |         |
| PLNHB180LS540/130 | 180 (default) | 0.78             | 25300             | 0.97         | Off                 | Off | Off | No   | 5000k   |
|                   | 150           | 0.68             | 21800             | 0.96         | On                  | Off | Off |      |         |
|                   | 120           | 0.55             | 18000             | 0.93         | Off                 | On  | Off |      |         |
|                   | 90            | 0.43             | 14000             | 0.89         | Off                 | Off | On  |      |         |
| PLNHB180LS460/90  | 180 (default) | 0.78             | 26500             | 0.97         | Off                 | Off | Off | No   | 4000K   |
|                   | 150           | 0.68             | 22500             | 0.96         | On                  | Off | Off |      |         |
|                   | 120           | 0.55             | 18500             | 0.93         | Off                 | On  | Off |      |         |
|                   | 90            | 0.43             | 14500             | 0.89         | Off                 | Off | On  |      |         |
| PLNHB180LS560/90  | 180 (default) | 0.78             | 26500             | 0.97         | Off                 | Off | Off | No   | 5000K   |
|                   | 150           | 0.68             | 22500             | 0.96         | On                  | Off | Off |      |         |
|                   | 120           | 0.55             | 18500             | 0.93         | Off                 | On  | Off |      |         |
|                   | 90            | 0.43             | 14500             | 0.89         | Off                 | Off | On  |      |         |
| PLNHB280D4120     | 280           | 1.20             | 41000             | 0.98         | /                   | /   | /   | Yes  | 4000K   |
| PLNHB280D5120     | 280           | 1.20             | 42000             | 0.98         | /                   | /   | /   | Yes  | 5000K   |
| PLNHB280D420/110  | 280           | 1.20             | 39000             | 0.98         | /                   | /   | /   | Yes  | 4000K   |
| PLNHB280D520/110  | 280           | 1.20             | 39500             | 0.98         | /                   | /   | /   | Yes  | 5000K   |
| PLNHB280D440/130  | 280           | 1.20             | 39000             | 0.98         | /                   | /   | /   | Yes  | 4000K   |
| PLNHB280D540/130  | 280           | 1.20             | 39500             | 0.98         | /                   | /   | /   | Yes  | 5000K   |
| PLNHB280D460/90   | 280           | 1.20             | 41000             | 0.98         | /                   | /   | /   | Yes  | 4000K   |
| PLNHB280D560/90   | 280           | 1.20             | 42000             | 0.98         | /                   | /   | /   | Yes  | 5000K   |

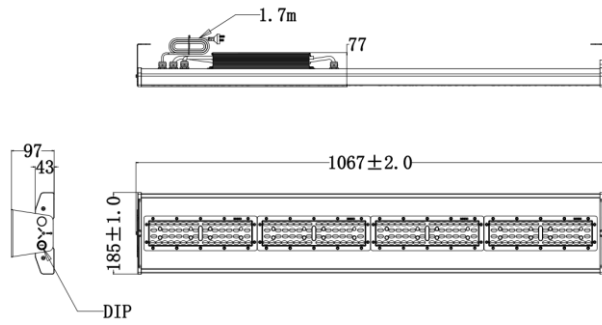


**Note:** Make sure to disconnect power before changing a DIP switch on the luminaires. Setting the DIP switches according to the above ONLY. All other settings may affect the luminaires' performance. After setting, secure the silicon cover over the DIP switches.

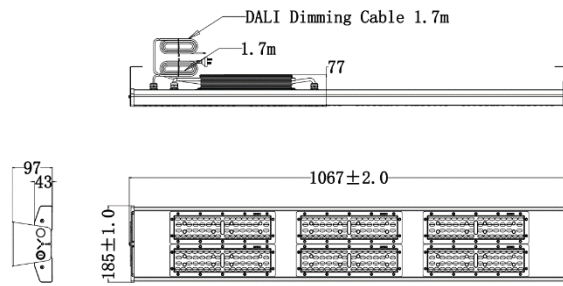
### 3. LINE DIAGRAMS AND DIMENSIONS

| Item code  | Length (mm) | Width (mm) | Height (mm) | Weight in (kg) |
|--|-------------|------------|-------------|----------------|
| PLNHB180LS4120 , PLNHB180LS5120<br>PLNHB180LS420/110 , PLNHB180LS520/110<br>PLNHB180LS440/130 , PLNHB180LS540/130<br>PLNHB180LS460/90 , PLNHB180LS560/90 | 1067        | 185        | 97          | 5.2            |
| PLNHB280D4120 , PLNHB280D5120<br>PLNHB280D420/110 , PLNHB280D520/110<br>PLNHB280D440/130 , PLNHB280D540/130<br>PLNHB280D460/90 , PLNHB280D560/90         | 1067        | 185        | 97          | 6.5            |

PLNHB180LSXXXXXX



PLNHB280DXXXXXX



4. **INSTALLATION / GENERAL:** Installation of the product is to be completed by an authorized and licensed electrician, in accordance with these instructions, relevant Australia standards and local regulations (where applicable). Termination of product wiring, together with the installation of the product must be in a manner and orientation that maintains the integrity of the designated IP rating of the product for electronic control equipment (when supplied) DO NOT MEGGER between A and N.

**Installation:**

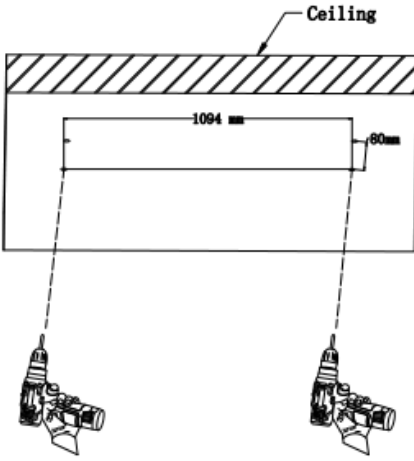
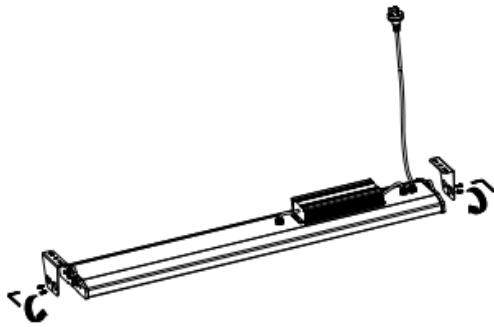
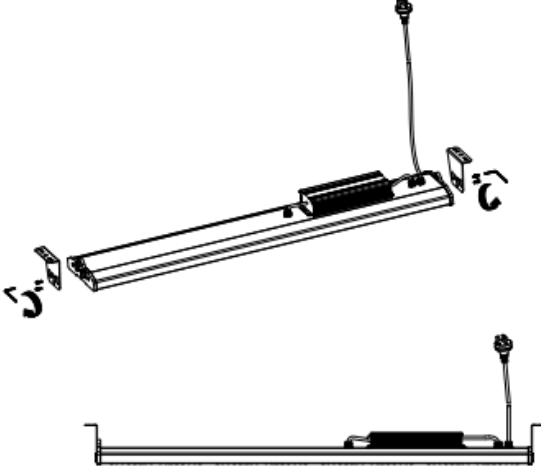
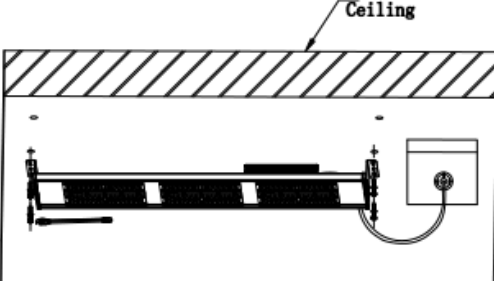
**Tools Required**

3mm Philips screwdriver, 3mm Allen key.

**Suspension Installation steps**

|  |  |
|--|--|
| <p>1. Release the mounting socket of suspension rope as above.</p>   | <p>2-1. Drill holes on the ceiling, Insert the expansion sockets(x2)</p> <p>2-2. screw on the mounting socket to the ceiling firmly.</p> <p>2. Drill two mounting holes on the ceiling, Install the mounting socket.</p> |
| <p>3-1. The suspension length is adjustable by pulling the rope through the hole as shown above</p> <p>3. Screw on two suspension ropes to the mounting sockets.</p> | <p>4-1. Clip the suspension rope to the end bracket</p> <p>4-2. Plug into the power socket</p> <p>4. Clip on the fixtures and switch on.</p>   |

## Surface installation steps

|   |  |
|---|--|
|  <p>1. Drill 4 mounting holes on the ceiling as per above dimensions.</p>              |  <p>2. Remove the two mounting brackets from the body.</p>   |
|  <p>3. Flip the mounting brackets 180 degrees and screw back to the body tightly.</p> |  <p>4. Mounting the luminaire to the ceiling with expansion screws, plug into the power socket.</p> |

**Warning:** The light source of this luminaire is not replaceable; when the light source reaches its end of life the whole luminaire shall be replaced.

5. **IMPORTANT** - the product must be maintained and operated in accordance with the manufacturer's instructions, failure to do so may damage the product and services. It is strongly recommended that this important note be communicated to the owner and or operator of the installation at the time of site commissioning. Good practice does not recommend the 24/7 use of products without the application of suitable switch cycle intervals. Furthermore, with the omission of nominated survival curves and or recommended operating hours, product design expectations provide for a continual daily usage of 6 hours for residential applications and a continual daily usage of 12 hours for commercial and industrial applications. All products must be thoroughly cleaned on a regular basis at intervals that reflect in the installation environment, ensuring the optical performance, together with the electrical, mechanical, and structural integrity as designed, is maintained throughout the service life of the product.
7. **APPROVALS** The RCM marking of this product applies to AS/NZS CISPR15 (EMC) "Limits and methods of measurement of radio disturbance characteristics of electrical lighting and similar equipment". This product is designed to conform to AS/NZS60598 "Luminaires, general requirements and tests".
8. **STORAGE:** Prior to installation products are to be stored in cool and dry conditions.
9. **APPLICATION:** The installation application and orientation of the product is designed in accordance with the nominated product IP rating, class designation and these installation installations. Installation environments outside these conditions are not recommended.
10. **MAINTENANCE:**

(a) The supply must be isolated before opening or accessing the luminaire. The luminaire must be maintained in accordance with the manufacturer's instructions. The luminaire must not be maintained in accordance with the recommended procedure.

Note: The safety lanyard must be connected to a separate retention wire or chain than the luminaire suspension.

critical to the products designed performance. The product is to be relevant brand web site. Pierlite is not responsible for any product

**(b) Lamps (where provided):** The product is designed with the supplied (LEDs) / LAMP/s and it is strongly recommended that any LAMP / (LEDs) changes (if any) be made in accordance with the type, colour and brand supplied. For recommended LAMP / LED maintenance or operating guides (inclusive of recommended product switch cycles and mandatory run-in procedures for HID and Fluorescent lamps when used with dimming circuits), Pierlite recommends the application of the lamp manufacturer's operating guidelines, which can be found on manufacturer's website. Pierlite is not responsible for the product performance of alternative lamp/s used. As a member of FluroCycle, we encourage recycling of lamps and components.

**(c) For products supplied with glass visors or covers,** do not operate the product with a damaged visor or cover; it is recommended the product be turned off, area surrounding the product vacated, and the damaged glass replaced by a professional installer immediately.

**(d) Cables or cords,** If any external cable or cord of the X or Y type luminaire is damaged, it shall be replaced by a qualified person or manufacturer's service agent.

For Z type attachments to luminaire, cord cannot be replaced if damaged, the luminaire shall be removed from service.

Flex cord types:

Z: Attachment of cable or cord that cannot be replaced without damage to luminaire

**WARRANTY INSTRUCTIONS:** For the purpose of warranty claims (if any) the following instructions apply:

**Warranty period** - The above components are provided with a warranty (refer to product specifications for details) against manufacturing defects or failure to perform to specifications for products installed by an authorised installer in accordance with the manufacturer's installation instructions and which have not been subject to incorrect operation or maintenance, unauthorised modification or damage arising from any intervening cause.

**Warranty reference** - The warranty reference date commences from the date of purchase.

**Warranty point of contact** – Pierlite, 96 Gow Street Padstow NSW 2211, phone T 1300 799 300 contact – Pierlite After Sales Support.

**Warranty claim procedure** – For the purpose of making a claim the customer must:

1. Contact the "point of contact" above and upon provision of proof of purchase the customer will receive a goods return advice (GRA) number.
2. At the customer's expense, collect and return the goods to the "point of contact" with the issued GRA number.
3. Upon receipt of the goods, Pierlite will review the claim and if found to be accepted, Pierlite will return a replacement product to the customer to install at the customer's expense. Alternatively, if the claim is rejected, the customer may request the return of the goods at their expense.

**Consumer Contracts** - The benefits to the customer given by the Pierlite warranty are in addition to other rights and remedies of the customer if the goods are the subject of a Consumer Contract under the Australian Consumer Law. In that event the following statement is required to be brought to the Consumer's attention: - *Our goods come with guarantees that cannot be excluded under the Australian Consumer Law. You are entitled to a replacement or refund for a major failure and for compensation for any other reasonably foreseeable loss or damage. You are also entitled to have the goods repaired or replaced if the goods fail to be of acceptable quality and the failure does not amount to a major failure.*

**Limitation of Liability** – if the goods are not purchased by the customer under a Consumer Contract within the Australian Consumer Law then but not otherwise;- (a) the Company is not liable in tort for any loss or damage suffered by the customer or by any third party; and (b) in no circumstances is Pierlite liable to the customer or to any third party for any loss of profits, loss of anticipated savings, economic loss or interruption of business or for any indirect or consequential loss (Consequential Loss).

**Terms of Sale** – these warranty provisions are in substitution for any inconsistent provisions in the Pierlite Terms and Conditions of Sale in so far as they apply to the warranty components.