



Flush Reflector



Recessed Reflector



Technical Data

TECHNICAL

Total Energy Consumption P _L (W)	Refer LED Performance Guide
Suitable for ceiling thickness	10-30mm
Weights	<ul style="list-style-type: none"> - Luminaire Body 370gms - Remote Driver 250gms
IEC 60598	- parts 1 and 2 Complies
AS/NZS60598	- parts 1 and 2 Complies
IP Rating	IP20
- with factory fitted Lens accessory	IP64 (from below)
- with site installed Lens accessory	IP54 (from below)
Insulation Class	- 6, 10, 14 & 20W IC-4/IC-F
- (excludes driver)	

LED PERFORMANCE GUIDE | KF4 Fixed Series | Flood Beam Option (8R) 60 degree

Watts (W)	Driver Current (mA)	Colour Temp 2700K 3000K 4000K	Ultra (KF4U)			Excel (KF4X)			Performance (KF4P)					
			Output Lumens			Efficacy Lm/W (delivered)			CRI / STEP SDCM			R9 Value		
			U	X	P	U	X	P	U	X	P	U	X	P
6.2	(1) 150	27	547	608	716	88	98	116	98/2	90/3	80/3	95	56	12
		3	607	653	752	98	105	121	98/2	90/3	80/3	95	56	12
		4	636	684	787	103	110	127	98/2	90/3	80/3	95	56	12
10.5	(2) 250	27	885	985	1159	84	94	110	98/2	90/3	80/3	95	56	12
		3	985	1059	1219	94	101	116	98/2	90/3	80/3	95	56	12
		4	1029	1107	1274	98	105	121	98/2	90/3	80/3	95	56	12
14.2	(3) 350	27	1159	1292	1524	82	91	107	98/2	90/3	80/3	95	56	12
		3	1290	1387	1597	91	98	112	98/2	90/3	80/3	95	56	12
		4	1348	1452	1675	95	102	118	98/2	90/3	80/3	95	56	12
20	(5) 500	27	1620	1803	2122	81	90	106	98/2	90/3	80/3	95	56	12
		3	1802	1938	2231	90	97	112	98/2	90/3	80/3	95	56	12
		4	1884	2026	2332	94	101	117	98/2	90/3	80/3	95	56	12

LED Lifetime hrs L90/B10 > 50,000

* Figures extrapolated / inrepolated from data at other currents and may vary + / -2.5%

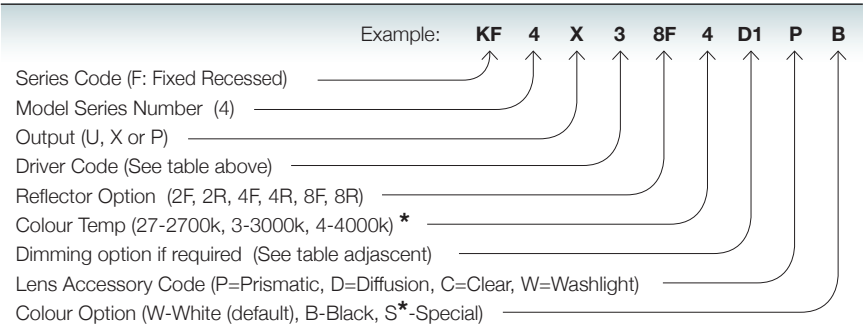
Output Lumens: Delivered lumen output from luminaires, including thermal, electrical and optical losses

STANDARD DIMMING OPTIONS AVAILABLE

D1	DALI (150–500mA)
D2	O4A DSI (250–500mA)
D3	Analogue Dim 1-10V (250–500mA)
D4	Phase Dim (250–500mA)
D5	O4A Switch Dim (250–500mA)
D6	Push Dim (150–500mA)
D7	O4A DALI (250–500mA)
D9	Cassambi (150–500mA)

* Philips Interact Ready options available







ORDERING CODE FORMAT

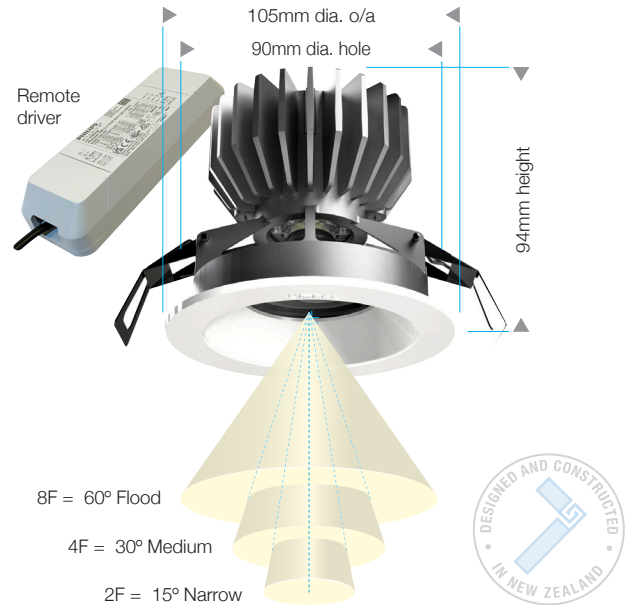


* Other colours available on request

Options

REFLECTOR OPTIONS Can be fitted to chassis after installation

<p>2F 15° Beam Angle</p>  <p>Narrow Beam – Flush Reflector</p>	<p>2R 15° Beam Angle</p>  <p>Narrow Beam – Recessed Reflector</p>
<p>4F 30° Beam Angle</p>  <p>Medium Beam – Flush Reflector</p>	<p>4R 30° Beam Angle</p>  <p>Medium Beam – Recessed Reflector</p>
<p>8F 60° Beam Angle</p>  <p>Flood Beam – Flush Reflector</p>	<p>8R 60° Beam Angle</p>  <p>Flood Beam – Recessed Reflector</p>



COLOUR OPTIONS

- White as standard (default)
 - W** White
 - B** Black
 - S*** Special
- (*Other colours available on request)

PROSPEC OPTIONS (Factory fitted)

Z (+ required length)
Seismic Restraint
Optional on all models.
Ordering Code:
(required length eg. 400mm)

Accessories

LENS ACCESSORIES Can be fitted to chassis after installation

Flush Lenses
IP64 (from below ceiling) Factory fitted
IP54 (from below ceiling) Site installed

Recessed Lenses
IP64 (from below ceiling) Factory fitted
IP54 (from below ceiling) Site installed

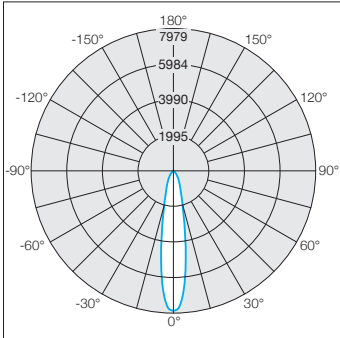
SECURED ACCESS LENS

K (IK 10)
Die cast aluminium Ceiling Plate,
123mm dia. overall with
Polycarbonate Lens.
– 3x M3 Snake Eye Machine Screws

Vandal Proof Secured Access Lens
IP65 (from below ceiling) Site installed

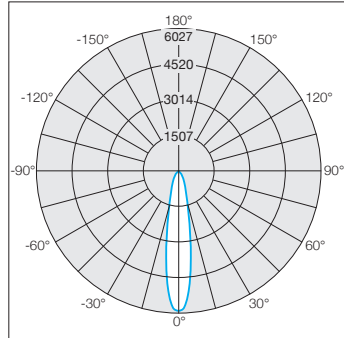
Photometrics

KF4U32F4 Flush Narrow Beam



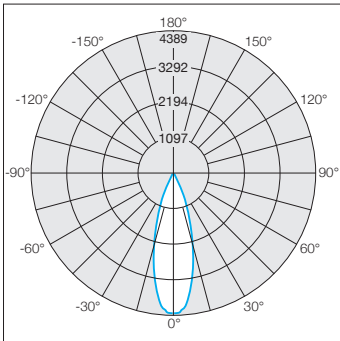
Total Energy Consumption P_L (W) 14.2W
Total Lumen Output 1290 Lm (92Lm/W)
4000k

KF4U32R4 Recessed Narrow Beam



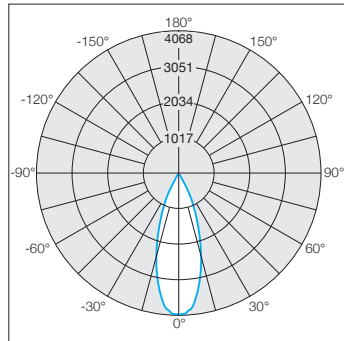
Total Energy Consumption P_L (W) 14.2W
Total Lumen Output 1724 Lm (122Lm/W)
4000k

KF4P34F4 Flush Medium Beam



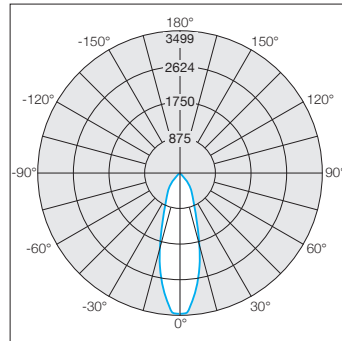
Total Energy Consumption P_L (W) 14.2W
Total Lumen Output 1632 Lm (116Lm/W)
4000k

KF4P34R4 Recessed Medium Beam



Total Energy Consumption P_L (W) 14.2W
Total Lumen Output 1724 Lm (122Lm/W)
4000k

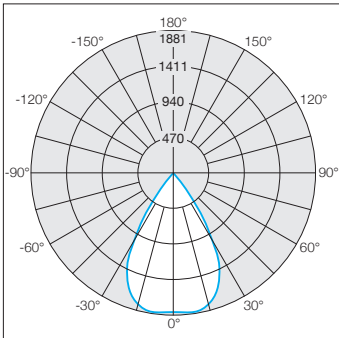
KF4X34R4 Recessed Medium Beam



Total Energy Consumption P_L (W) 14.7W
Total Lumen Output 1493 Lm (105Lm/W)
4000k

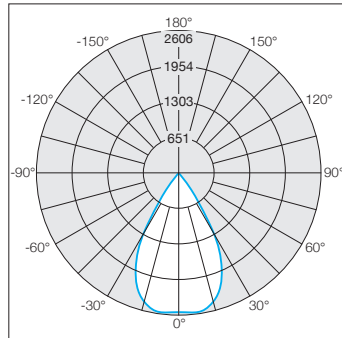
Photometrics

KF4P38F4 Flush Flood Beam



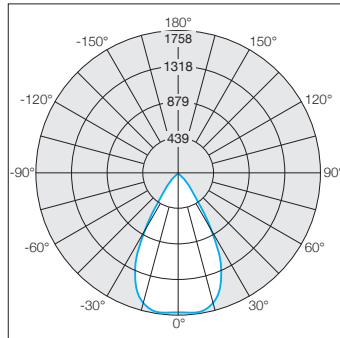
Total Energy Consumption P_i (W) 14.2W
Total Lumen Output 1606 Lm (114Lm/W)
4000k

KF4P58F4 Flush Flood Beam



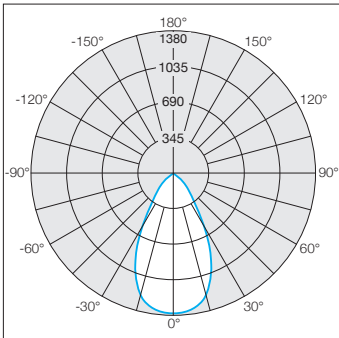
Total Energy Consumption P_i (W) 14.2W
Total Lumen Output 2164 Lm (108Lm/W)
4000k

KF4P38F4P Flush Prismatic



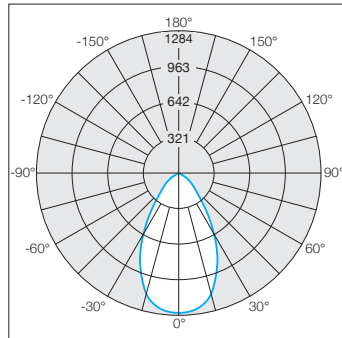
Total Energy Consumption P_i (W) 14.2W
Total Lumen Output 1537 Lm (109Lm/W)
4000k

KF4P38R4D Recessed Diffused



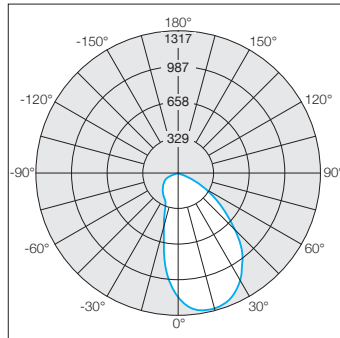
Total Energy Consumption P_i (W) 14.2W
Total Lumen Output 1365 Lm (97Lm/W)
4000k

KF4P38F4D Flush Diffused



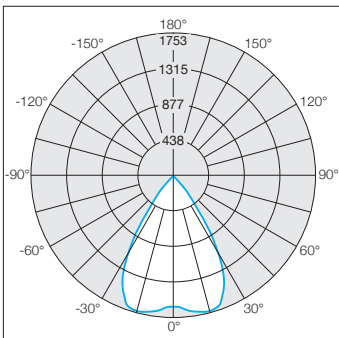
Total Energy Consumption P_i (W) 14.2W
Total Lumen Output 1486 Lm (106Lm/W)
4000k

KF4X38F4WW Flush WashLight



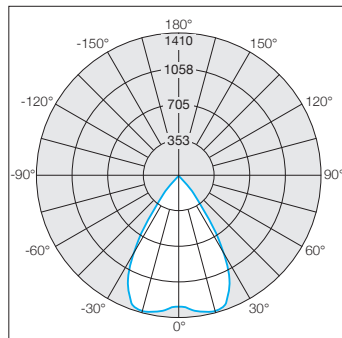
Total Energy Consumption P_i (W) 14.2W
Total Lumen Output 1317 Lm (90Lm/W)
4000k

KF4P38R4 Recessed Flood Beam



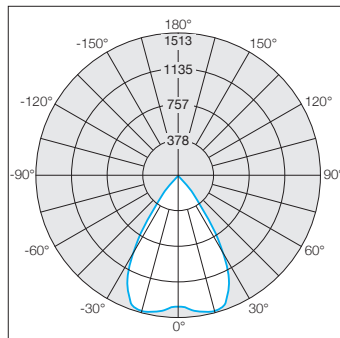
Total Energy Consumption P_i (W) 14.2W
Total Lumen Output 1675 Lm (119Lm/W)
4000k

KF4U38R4 Recessed Flood Beam



Total Energy Consumption P_i (W) 14.2W
Total Lumen Output 1348 Lm (95Lm/W)
4000k

KF4X38R4 Recessed Flood Beam



Total Energy Consumption P_i (W) 14.7W
Total Lumen Output 1452 Lm (102Lm/W)
4000k



Technical Data

TECHNICAL

Total Energy Consumption P _L (W)	Refer LED Performance Guide
Suitable for ceiling thickness	10–30mm
Weights	– Luminaire Body 370gms – Remote Driver 250gms
IEC 60598	– parts 1 and 2 Complies
AS/NZS60598	– parts 1 and 2 Complies
IP Rating	IP20
– with factory fitted Lens accessory	IP65 (from below)
– with site installed Lens accessory	IP54 (from below)
Insulation Class	IC-4/IC-F
– (excludes driver)	– 6W & 10W CA90 – 14W & 20W

LED PERFORMANCE GUIDE | KA4 Adjustable Series | Flood Beam Option (8R) 60 degree

Watts (W)	Driver Current (mA)	Colour Temp 2700K 3000K 4000K	Ultra (KA4U)			Excel (KA4X)			Performance (KA4P)					
			Output Lumens			Efficacy Lm/W (delivered)			CRI / STEP SDCM			R9 Value		
			U	X	P	U	X	P	U	X	P	U	X	P
6.2	(1) 150	27	529	588	646	85	95	104	98/2	90/3	80/3	95	56	12
		3	587	631	726	95	102	117	98/2	90/3	80/3	95	56	12
		4	615	661	760	99	107	123	98/2	90/3	80/3	95	56	12
10.5	(2) 250	27	810	902	990	77	86	94	98/2	90/3	80/3	95	56	12
		3	900	968	1112	86	92	106	98/2	90/3	80/3	95	56	12
		4	942	1013	1165	90	96	111	98/2	90/3	80/3	95	56	12
14.2	(3) 350	27	1088	1211	1329	77	85	94	98/2	90/3	80/3	95	56	12
		3	1204	1295	1500	85	91	106	98/2	90/3	80/3	95	56	12
		4	1265	1361	1564	89	96	110	98/2	90/3	80/3	95	56	12
20	(5) 500	27	1467	1632	1792	73	82	90	98/2	90/3	80/3	95	56	12
		3	1631	1754	2016	82	88	101	98/2	90/3	80/3	95	56	12
		4	1705	1834	2108	85	92	105	98/2	90/3	80/3	95	56	12

LED Lifetime hrs L90/B10 > 50,000

* Figures extrapolated / interpolated from data at other currents and may vary + / -2.5%

Output Lumens: Delivered lumen output from luminaires, including thermal, electrical and optical losses

STANDARD DIMMING OPTIONS AVAILABLE

D1	DALI (150–500mA)
D2	O4A DSI (250–500mA)
D3	Analogue Dim 1-10V (250–500mA)
D4	Phase Dim (250–500mA)
D5	O4A Switch Dim (250–500mA)
D6	Push Dim (150–500mA)
D7	O4A DALI (250–500mA)
D9	Cassambi (150–500mA)

* Philips Interact Ready options available

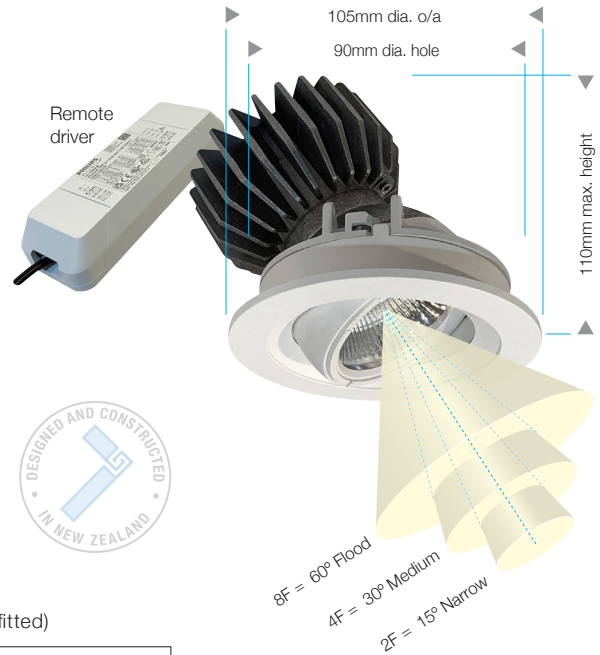
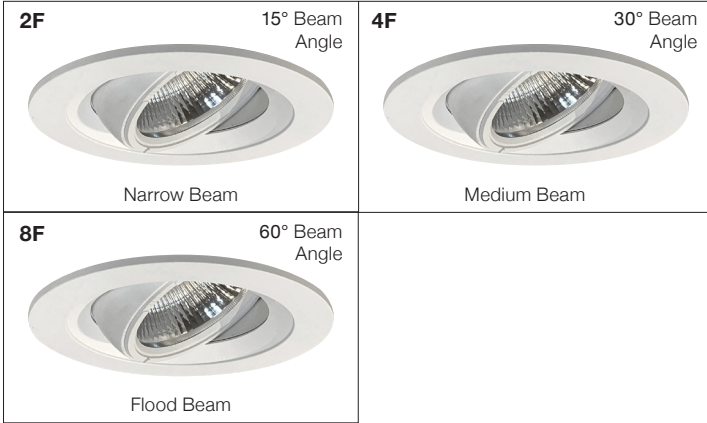
ORDERING CODE FORMAT

Example:	KA	4	X	3	8F	4	D1	P	B
Series Code (A: Adjustable Recessed)	↑	↑	↑	↑	↑	↑	↑	↑	↑
Model Series Number (4)	↑	↑	↑	↑	↑	↑	↑	↑	↑
Output (U, X or P)	↑	↑	↑	↑	↑	↑	↑	↑	↑
Driver Code (See table above)	↑	↑	↑	↑	↑	↑	↑	↑	↑
Reflector Option (2F, 4F, 8F)	↑	↑	↑	↑	↑	↑	↑	↑	↑
Colour Temp (27-2700k, 3-3000k, 4-4000k) *	↑	↑	↑	↑	↑	↑	↑	↑	↑
Dimming option if required (See table adjacent)	↑	↑	↑	↑	↑	↑	↑	↑	↑
Lens Accessory Code (P=Prismatic, D=Diffusion, C=Clear)	↑	↑	↑	↑	↑	↑	↑	↑	↑
Colour Option (W=White (default), B=Black, S*-Special)	↑	↑	↑	↑	↑	↑	↑	↑	↑

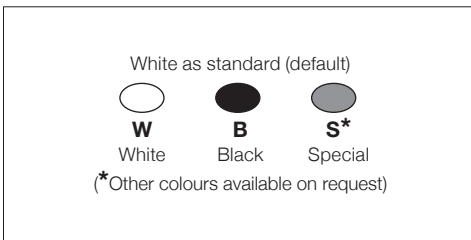
* Other colours available on request

Options

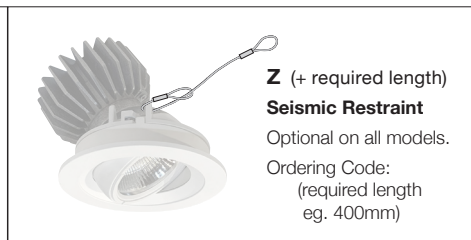
REFLECTOR OPTIONS Can be fitted to chassis after installation



COLOUR OPTIONS



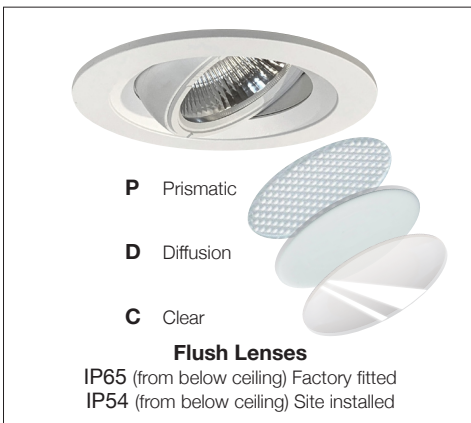
PROSPEC OPTIONS (Factory fitted)



Accessories

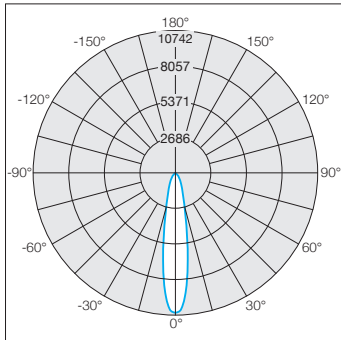
Philips Interact Ready options available

LENS ACCESSORIES Can be fitted to chassis after installation



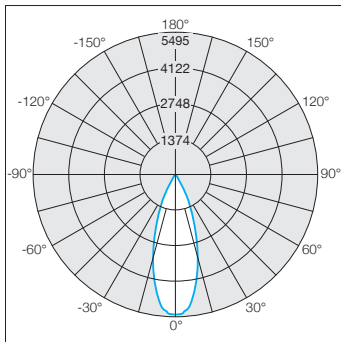
Photometrics

KA4P32F4 Flush Narrow Beam



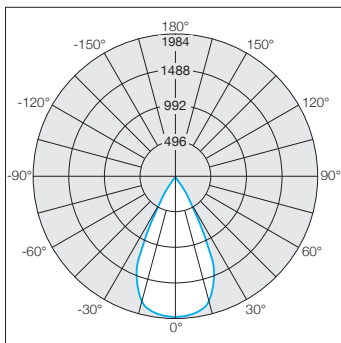
Total Energy Consumption P_t (W) 14.5W
Total Lumen Output 1578 Lm (111Lm/W)
4000k

KA4P34R4 Recessed Medium Beam



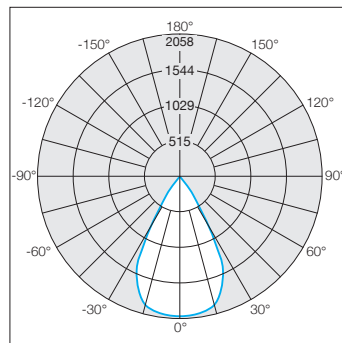
Total Energy Consumption P_t (W) 14.5W
Total Lumen Output 1655 Lm (117Lm/W)
4000k

KA4P38R4P Recessed Prismatic



Total Energy Consumption P_t (W) 14.5W
Total Lumen Output 1480 Lm (104Lm/W)
4000k

KA4P38R4 Recessed Flood Beam



Total Energy Consumption P_t (W) 14.5W
Total Lumen Output 1564 Lm (110Lm/W)
4000k



Technical Data

TECHNICAL

Total Energy Consumption P _L (W)	Refer LED Performance Guide
Weight	1220gms
IEC 60598	- parts 1 and 2 Complies
AS/NZS60598	- parts 1 and 2 Complies
IP Rating	IP20
Insulation Class - (excludes driver)	- 6, 10, 14 & 20W IC-4/IC-F

LED PERFORMANCE GUIDE | KS4 Surface Mount Series | Flood Beam Option (8R) 60 degree

Watts (W)	Driver Current (mA)	Colour Temp 2700K 3000K 4000K	Ultra (KS4U)			Excel (KS4X)			Performance (KS4P)			R9 Value		
			Output Lumens			Efficacy Lm/W (delivered)			CRI / STEP SDCM					
			U	X	P	U	X	P	U	X	P	U	X	P
6.2	(1) 150	27	547	608	716	88	98	116	98/2	90/3	80/3	95	56	12
		3	607	653	752	98	105	121	98/2	90/3	80/3	95	56	12
		4	636	684	787	103	110	127	98/2	90/3	80/3	95	56	12
10.5	(2) 250	27	885	985	1159	84	94	110	98/2	90/3	80/3	95	56	12
		3	985	1059	1219	94	101	116	98/2	90/3	80/3	95	56	12
		4	1029	1107	1274	98	105	121	98/2	90/3	80/3	95	56	12
14.2	(3) 350	27	1159	1292	1524	82	91	107	98/2	90/3	80/3	95	56	12
		3	1290	1387	1597	91	98	112	98/2	90/3	80/3	95	56	12
		4	1348	1452	1675	95	102	118	98/2	90/3	80/3	95	56	12
20	(5) 500	27	1620	1803	2122	81	90	106	98/2	90/3	80/3	95	56	12
		3	1802	1938	2231	90	97	112	98/2	90/3	80/3	95	56	12
		4	1884	2026	2332	94	101	117	98/2	90/3	80/3	95	56	12

LED Lifetime hrs L90/B10 > 50,000

* Figures extrapolated / interpolated from data at other currents and may vary + / -2.5%

Output Lumens: Delivered lumen output from luminaires, including thermal, electrical and optical losses

STANDARD DIMMING OPTIONS AVAILABLE

D1	DALI (150–500mA)
D3	Analogue Dim 1-10V (250–500mA)
D4	Phase Dim (250–500mA)
D6	Push Dim (150–500mA)
D9	Cassambi (150–500mA)

* Philips Interact Ready options available

ORDERING CODE FORMAT







Example: **KS 4 X 3 8F 4 D1 P B**

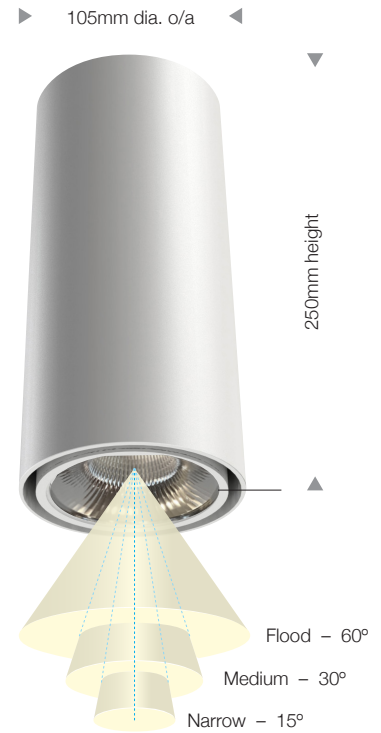
Series Code (S: Surface Mounted)	KS
Model Series Number (4)	4
Output (U, X or P)	X
Driver Code (See table above)	3
Reflector Option (2F, 2R, 4F, 4R, 8F, 8R)	8F
Colour Temp (27-2700k, 3-3000k, 4-4000k) *	4
Dimming option if required (See table adjacent)	D1
Lens Accessory Code (P=Prismatic, D=Diffusion, C=Clear, W=Washlight)	P
Colour Option (W-White (default), B-Black, S*-Special)	B

* Other colours available on request

Options




REFLECTOR OPTIONS Can be fitted to chassis after installation

<p>2F 15° Beam Angle</p>  <p>Narrow Beam – Flush Reflector</p>	<p>2R 15° Beam Angle</p>  <p>Narrow Beam – Recessed Reflector</p>
<p>4F 30° Beam Angle</p>  <p>Medium Beam – Flush Reflector</p>	<p>4R 30° Beam Angle</p>  <p>Medium Beam – Recessed Reflector</p>
<p>8F 60° Beam Angle</p>  <p>Flood Beam – Flush Reflector</p>	<p>8R 60° Beam Angle</p>  <p>Flood Beam – Recessed Reflector</p>



COLOUR OPTIONS



White as standard (default)

 **W** White
 **B** Black
 **S*** Special

(*Other colours available on request)

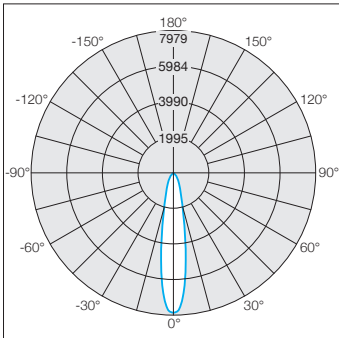
Accessories

LENS ACCESSORIES Can be fitted to chassis after installation

 <p>Flush Lenses IP20</p>	 <p>Recessed Lenses IP20</p>
---	--

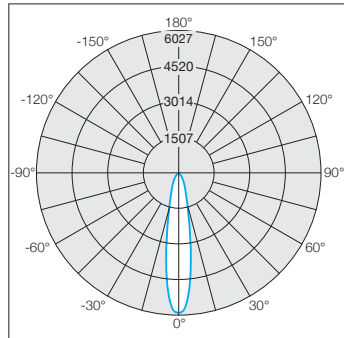
Photometrics

KS4U32F4 Flush Narrow Beam



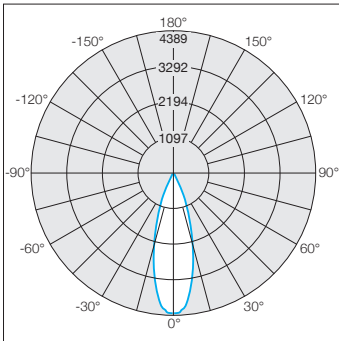
Total Energy Consumption P_L (W) 14.2W
Total Lumen Output 1290 Lm (92Lm/W)
4000k

KS4U32R4 Recessed Narrow Beam



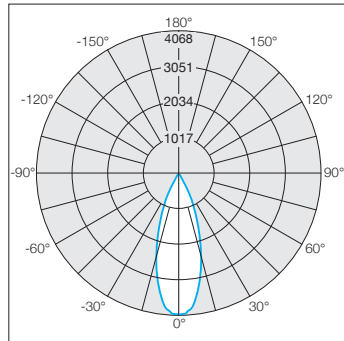
Total Energy Consumption P_L (W) 14.2W
Total Lumen Output 1724 Lm (122Lm/W)
4000k

KS4P34F4 Flush Medium Beam



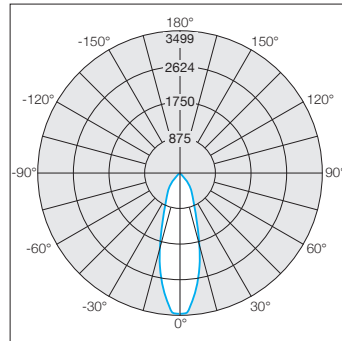
Total Energy Consumption P_L (W) 14.2W
Total Lumen Output 1632 Lm (116Lm/W)
4000k

KS4P34R4 Recessed Medium Beam



Total Energy Consumption P_L (W) 14.2W
Total Lumen Output 1724 Lm (122Lm/W)
4000k

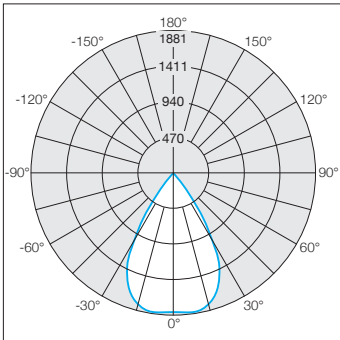
KS4X34R4 Recessed Medium Beam



Total Energy Consumption P_L (W) 14.7W
Total Lumen Output 1493 Lm (105Lm/W)
4000k

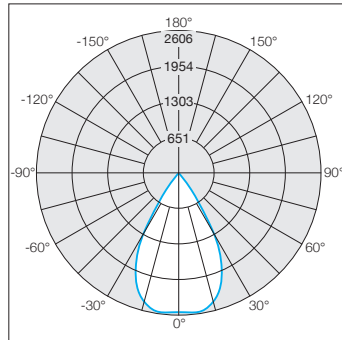
Photometrics

KS4P38F4 Flush Flood Beam



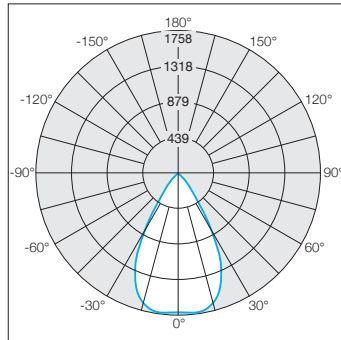
Total Energy Consumption P_i (W) 14.2W
Total Lumen Output 1606 Lm (114Lm/W)
4000k

KS4P58F4 Flush Flood Beam



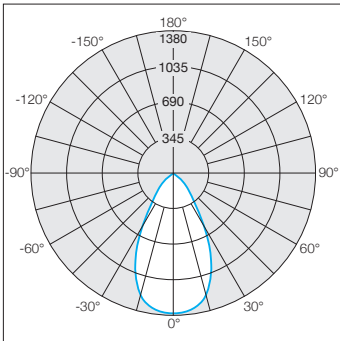
Total Energy Consumption P_i (W) 14.2W
Total Lumen Output 2164 Lm (108Lm/W)
4000k

KS4P38F4P Flush Prismatic



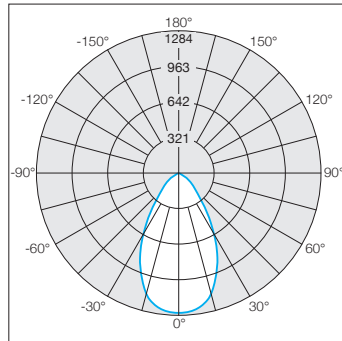
Total Energy Consumption P_i (W) 14.2W
Total Lumen Output 1537 Lm (109Lm/W)
4000k

KS4P38R4D Recessed Diffused



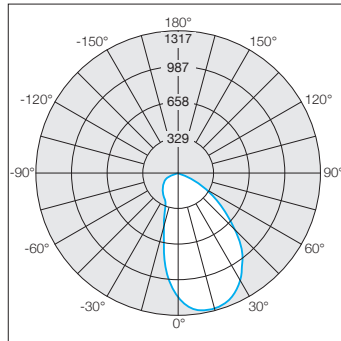
Total Energy Consumption P_i (W) 14.2W
Total Lumen Output 1365 Lm (97Lm/W)
4000k

KS4P38F4D Flush Diffused



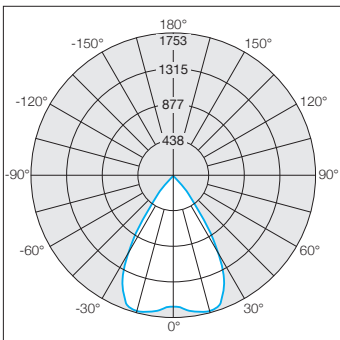
Total Energy Consumption P_i (W) 14.2W
Total Lumen Output 1486 Lm (106Lm/W)
4000k

KS4X38F4WW Flush WashLight



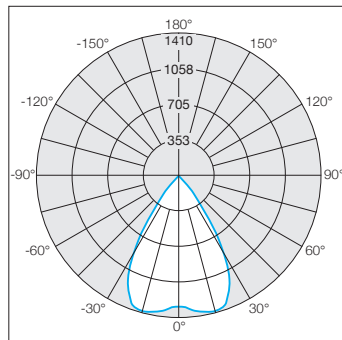
Total Energy Consumption P_i (W) 14.2W
Total Lumen Output 1317 Lm (90Lm/W)
4000k

KS4P38R4 Recessed Flood Beam



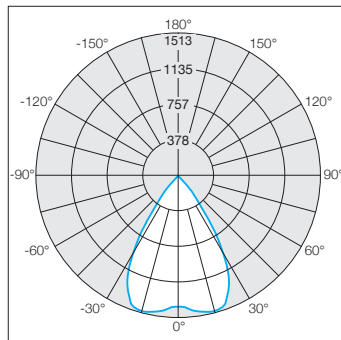
Total Energy Consumption P_i (W) 14.2W
Total Lumen Output 1675 Lm (119Lm/W)
4000k

KS4U38R4 Recessed Flood Beam



Total Energy Consumption P_i (W) 14.2W
Total Lumen Output 1348 Lm (95Lm/W)
4000k

KS4X38R4 Recessed Flood Beam



Total Energy Consumption P_i (W) 14.7W
Total Lumen Output 1452 Lm (102Lm/W)
4000k

SUSPENSION OPTIONS



Technical Data

TECHNICAL

Total Energy Consumption P _L (W)	Refer LED Performance Guide
Weight	1220gms
IEC 60598	- parts 1 and 2 Complies
AS/NZS60598	- parts 1 and 2 Complies
IP Rating	IP20
Insulation Class - (excludes driver)	- 6, 10, 14 & 20W IC-4/IC-F

LED PERFORMANCE GUIDE | KR4 Suspended Series | Flood Beam Option (8R) 60 degree

Watts (W)	Driver Current (mA)	Colour Temp 2700K 3000K 4000K	Ultra (KR4U)			Excel (KR4X)			Performance (KR4P)					
			Output Lumens			Efficacy Lm/W (delivered)			CRI / STEP SDCM			R9 Value		
			U	X	P	U	X	P	U	X	P	U	X	P
6.2	(1) 150	27	547	608	716	88	98	116	98/2	90/3	80/3	95	56	12
		3	607	653	752	98	105	121	98/2	90/3	80/3	95	56	12
		4	636	684	787	103	110	127	98/2	90/3	80/3	95	56	12
10.5	(2) 250	27	885	985	1159	84	94	110	98/2	90/3	80/3	95	56	12
		3	985	1059	1219	94	101	116	98/2	90/3	80/3	95	56	12
		4	1029	1107	1274	98	105	121	98/2	90/3	80/3	95	56	12
14.2	(3) 350	27	1159	1292	1524	82	91	107	98/2	90/3	80/3	95	56	12
		3	1290	1387	1597	91	98	112	98/2	90/3	80/3	95	56	12
		4	1348	1452	1675	95	102	118	98/2	90/3	80/3	95	56	12
20	(5) 500	27	1620	1803	2122	81	90	106	98/2	90/3	80/3	95	56	12
		3	1802	1938	2231	90	97	112	98/2	90/3	80/3	95	56	12
		4	1884	2026	2332	94	101	117	98/2	90/3	80/3	95	56	12

LED Lifetime hrs L90/B10 > 50,000

* Figures extrapolated / interpolated from data at other currents and may vary + / -2.5%

Output Lumens: Delivered lumen output from luminaires, including thermal, electrical and optical losses

STANDARD DIMMING OPTIONS AVAILABLE

D1	DALI (150–500mA)
D3	Analogue Dim 1-10V (250–500mA)
D4	Phase Dim (250–500mA)
D6	Push Dim (150–500mA)
D9	Cassambi (150–500mA)

* Philips Interact Ready options available

ORDERING CODE FORMAT

Example: **KR 4 X 3 8F 4 D1 P B S2**

Series Code (C: Cable, R: Rod) → KR

Model Series Number (4) → 4

Output (U, X or P) → X

Driver Code (See table above) → 3

Reflector Option (2F, 2R, 4F, 4R, 8F, 8R) → 8F

Colour Temp (27-2700k, 3-3000k, 4-4000k) * → 4

Dimming option if required (See table adjacent) → D1

Lens Accessory Code (P=Prismatic, D=Diffusion, C=Clear, W=Washlight) → P

Colour Option (W-White (default), B-Black, S*-Special) → B

Specify drop length – Rod version only (S1, S2, S3, S4) → S2

* Other colours available on request

Options

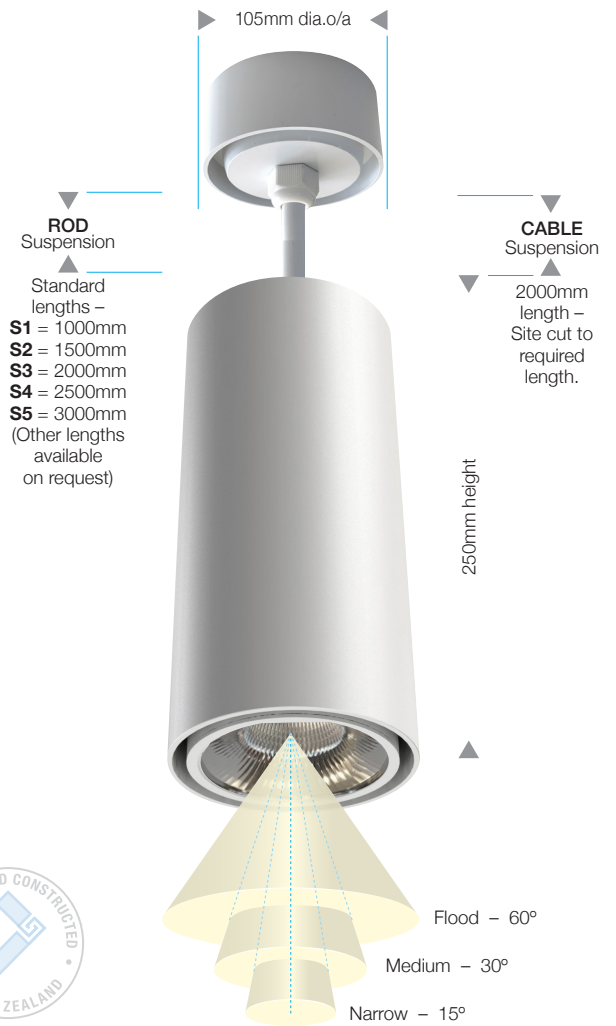
REFLECTOR OPTIONS Can be fitted to chassis after installation

<p>2F 15° Beam Angle</p> <p>Narrow Beam – Flush Reflector</p>	<p>2R 15° Beam Angle</p> <p>Narrow Beam – Recessed Reflector</p>
<p>4F 30° Beam Angle</p> <p>Medium Beam – Flush Reflector</p>	<p>4R 30° Beam Angle</p> <p>Medium Beam – Recessed Reflector</p>
<p>8F 60° Beam Angle</p> <p>Flood Beam – Flush Reflector</p>	<p>8R 60° Beam Angle</p> <p>Flood Beam – Recessed Reflector</p>

COLOUR OPTIONS

White as standard (default)

W White
B Black
S* Special
 (*Other colours available on request)



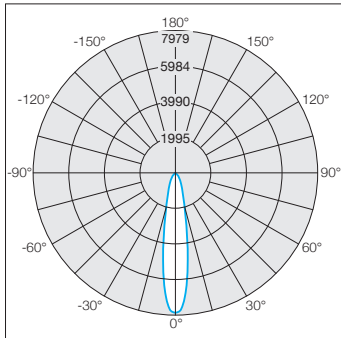
Accessories

LENS ACCESSORIES Can be fitted to chassis after installation

<p>P Prismatic D Diffusion C Clear W Washlight</p> <p>Flush Lenses IP20</p>	<p>P Prismatic D Diffusion C Clear</p> <p>Recessed Lenses IP20</p>
--	--

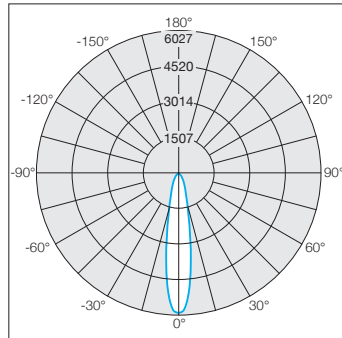
Photometrics

KR4U32F4 Flush Narrow Beam



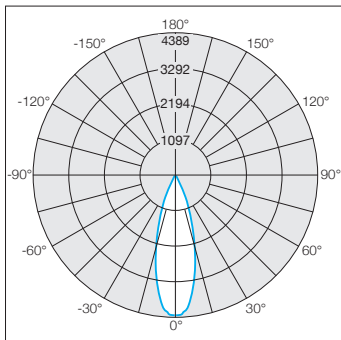
Total Energy Consumption P_L (W) 14.2W
Total Lumen Output 1290 Lm (92Lm/W)
4000k

KR4U32R4 Recessed Narrow Beam



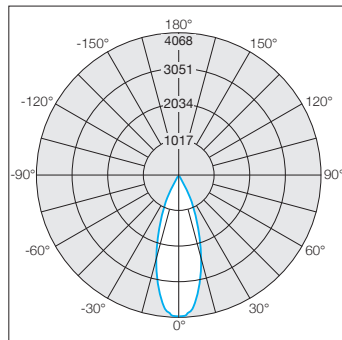
Total Energy Consumption P_L (W) 14.2W
Total Lumen Output 1724 Lm (122Lm/W)
4000k

KR4P34F4 Flush Medium Beam



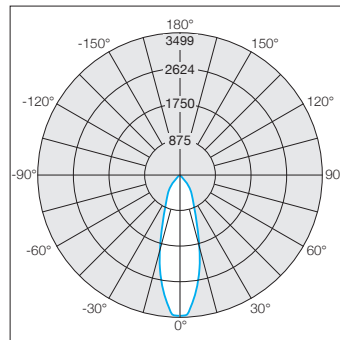
Total Energy Consumption P_L (W) 14.2W
Total Lumen Output 1632 Lm (116Lm/W)
4000k

KR4P34R4 Recessed Medium Beam



Total Energy Consumption P_L (W) 14.2W
Total Lumen Output 1724 Lm (122Lm/W)
4000k

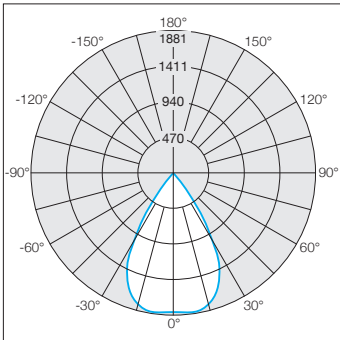
KR4X34R4 Recessed Medium Beam



Total Energy Consumption P_L (W) 14.7W
Total Lumen Output 1493 Lm (105Lm/W)
4000k

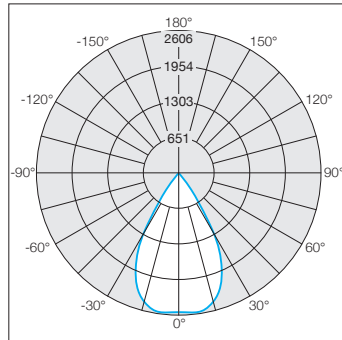
Photometrics

KR4P38F4 Flush Flood Beam



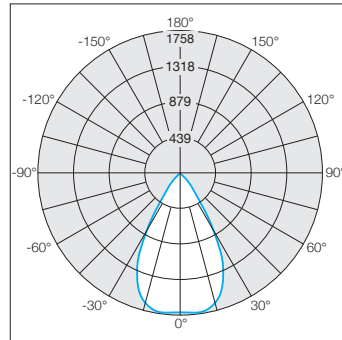
Total Energy Consumption P_i (W) 14.2W
Total Lumen Output 1606 Lm (114Lm/W)
4000k

KR4P58F4 Flush Flood Beam



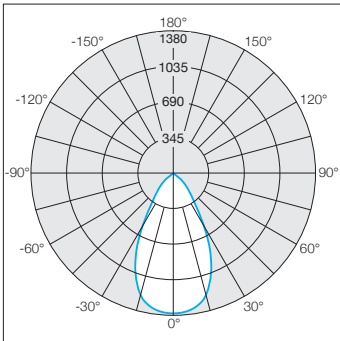
Total Energy Consumption P_i (W) 14.2W
Total Lumen Output 2164 Lm (108Lm/W)
4000k

KR4P38F4P Flush Prismatic



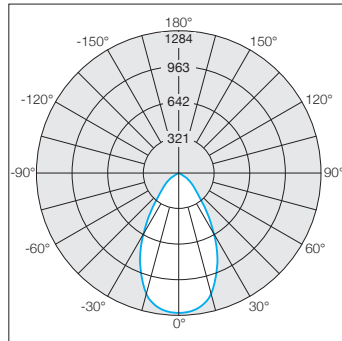
Total Energy Consumption P_i (W) 14.2W
Total Lumen Output 1537 Lm (109Lm/W)
4000k

KR4P38R4D Recessed Diffused



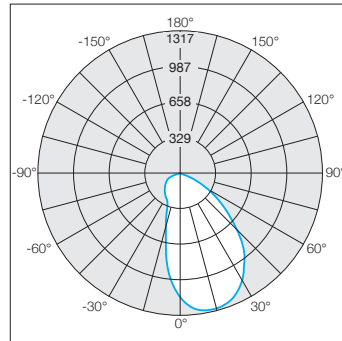
Total Energy Consumption P_i (W) 14.2W
Total Lumen Output 1365 Lm (97Lm/W)
4000k

KR4P38F4D Flush Diffused



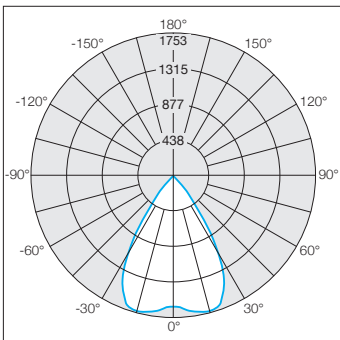
Total Energy Consumption P_i (W) 14.2W
Total Lumen Output 1486 Lm (106Lm/W)
4000k

KR4X38F4WW Flush WashLight



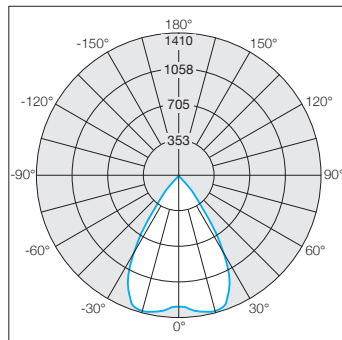
Total Energy Consumption P_i (W) 14.2W
Total Lumen Output 1317 Lm (90Lm/W)
4000k

KR4P38R4 Recessed Flood Beam



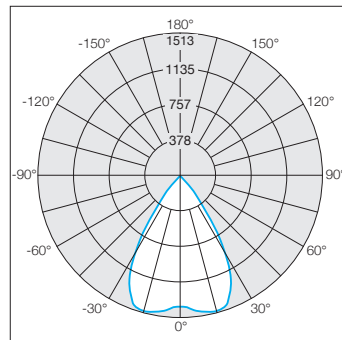
Total Energy Consumption P_i (W) 14.2W
Total Lumen Output 1675 Lm (119Lm/W)
4000k

KR4U38R4 Recessed Flood Beam



Total Energy Consumption P_i (W) 14.2W
Total Lumen Output 1348 Lm (95Lm/W)
4000k

KR4X38R4 Recessed Flood Beam



Total Energy Consumption P_i (W) 14.7W
Total Lumen Output 1452 Lm (102Lm/W)
4000k