

INSTALLATION / WARRANTY INSTRUCTIONS

PRODUCT BRAND: PIERLITE

PRODUCT NAME: Eco Highbay G7

PRODUCT CODE: ECOHB200LSE4G7, ECOHB200LSE5G7, ECOHB120LSE4G7, ECOHB120LSE5G7

Issue Date: 17/03/2023

Please read these installation instructions carefully before installing or maintaining this equipment. The product is designed for installation and maintenance in accordance with relevant Australian standards (AS/NZ3000), by an authorised and licensed electrician. The installation instructions were correct at the time of print. To reflect changes in technology and Australian and New Zealand standards; Pierlite reserves the right to amend the instructions without notice. Updated guidelines can be found on relevant brand web site.



1. PRODUCT SPECIFICATION:

Item code	ECOHB120LSE4G7, ECOHB120LSE5G7	ECOHB200LSE4G7, ECOHB200LSE5G7
Type of protection	Class I luminaire	
IP rating	IP65	
IK rating	IK08	
IC rating	N/A	
Nominal voltage	220V to 240Vac	
Nominal frequency	50/60 Hz	
Number of wattages per fitting	4 power selections per fitting	
Available wattages	Refer to section 3	
Power factor	>0.9	
Surge protection rating	L-N 4KV/2KA, L-E: 4KV/2KA, N-E: 4KV/2KA Maximum impulse voltage, 10KV (where SPD installed)	
Inrush current	Cold start 60A Measured at 100% load at 240Vac	Cold start 65A Measured at 100% load at 240Vac
Earth leakage	<0.7mA	
Rated operating ambient temperature	-25 to +50°C	
LED lifetime	<ul style="list-style-type: none"> Rated 50,000 hours (L70/B10) +50°C Calculated 52,000 hours (L90/B10) @ +50°C 	<ul style="list-style-type: none"> Rated 50,000 hours (L70/B10) +50°C Calculated 50,000 hours (L90/B10) @ +50°C
Colour temperature	4000K or 5000K	
Colour rendering index (CRI)	80	
LED control gear	Lumen select	
Available in emergency	N/A	
Emergency battery technology	N/A	
Electrical connection	Supplied with 1.7m long 3-pin flex and plug	
Cable type	Z	
Cable entry	N/A	
Installation type	Fixed	
Dimensions (LxWxH)	290x290x119mm	330x 330x119mm
Net weight of luminaire	1.85kg	2.50kg
Warranty	5 years	
Suitability	Indoor and outdoor	
Suitable for rough service	Yes	

2. CONSUMABLES AND ACCESSORIES (TO BE PURCHASED SEPARATELY)

Product Code	Accessories	Suitable for Pierlux Eco Highbay Gen7
ECOHB120BRKT	Surface mounting bracket kit 166.5mm x 115mm x 29mm	ECOHB120LSE4G7 ECOHB120LSE5G7 ECOHB200LSE4G7 ECOHB200LSE5G7
HBALREFL	Anodized aluminium reflector Ø435mm x 125mm	
HBDCVR	Anodized aluminium dust cover Ø371mm x 79.5 mm	
HBPCREFR	Transparent polycarbonate reflector Ø410mm x 141mm	
HBPCLENS	Transparent PC reflector Lens to suit HBPCREFR Ø410mm x 34mm	
HBWG	Wireguards Ø290mm x 41mm	

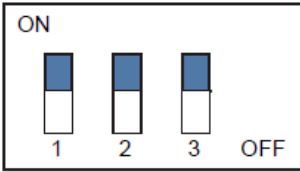
3. LUMEN SELECT TABLE (contractor selectable output)

Pierlite's lumen select products allows all licensed electricians to purchase one luminaire that can be set as multiple fixed wattages/fixed lumen outputs. By offering this capability within one fitting it provides the following benefits

- One fitting multiple fixed outputs
- Less stocked items
- Easy to change settings
- IES files available for all available for wattages shown in the above table
- No control system or software required to change fixed output

The lumen output can be altered by changing the driver dip switches from the factory default setting to the driver milli-amps as specified in the table. Dip switches are located next to suspension hook of the Highbay.

Product Code#	Power (W)	Line Current (A)	Lumen Output (Lm)	Dip Switch Settings Refer section 5			CCT (K)
				1	2	3	
ECOHB120LSE5G7	120	0.53	20000	Off	Off	Off	5000K
	100	0.44	17200	On	Off	Off	
	80	0.35	14100	Off	On	Off	
	60	0.27	10800	Off	Off	On	
ECOHB120LSE4G7	120	0.53	19900	Off	Off	Off	4000k
	100	0.44	17100	On	Off	Off	
	80	0.35	14000	Off	On	Off	
	60	0.27	10700	Off	Off	On	
ECOHB200LSE5G7	200	0.85	34100	Off	Off	Off	5000K
	170	0.73	29600	On	Off	Off	
	120	0.52	21700	Off	On	Off	
	100	0.45	18400	Off	Off	On	
ECOHB200LSE4G7	200	0.85	32900	Off	Off	Off	4000K
	170	0.73	29000	On	Off	Off	
	120	0.52	21300	Off	On	Off	
	100	0.45	18100	Off	Off	On	



Note: Make sure to disconnect power before changing a DIP switch on the luminaries. Setting the DIP switches according to the above ONLY. All other settings may affect the luminaries' performance. After setting, secure the silicon cover over the DIP switches.

ECOHB120LSE5G7

On Off	Dip Switch Setting			Lumen Output Lm
	1	2	3	
On	Off	Off	Off	20,000
Off	On	Off	Off	17,200
	Off	On	Off	14,100
	Off	Off	On	10,800

ECOHB200LSE5G7

On Off	Dip Switch Setting			Lumen Output Lm
	1	2	3	
On	Off	Off	Off	34,100
Off	On	Off	Off	29,600
	Off	On	Off	21,700
	Off	Off	On	18,400

ECOHB120LSE4G7

On Off	Dip Switch Setting			Lumen Output Lm
	1	2	3	
On	Off	Off	Off	19,900
Off	On	Off	Off	17,100
	Off	On	Off	14,000
	Off	Off	On	10,700

ECOHB200LSE4G7

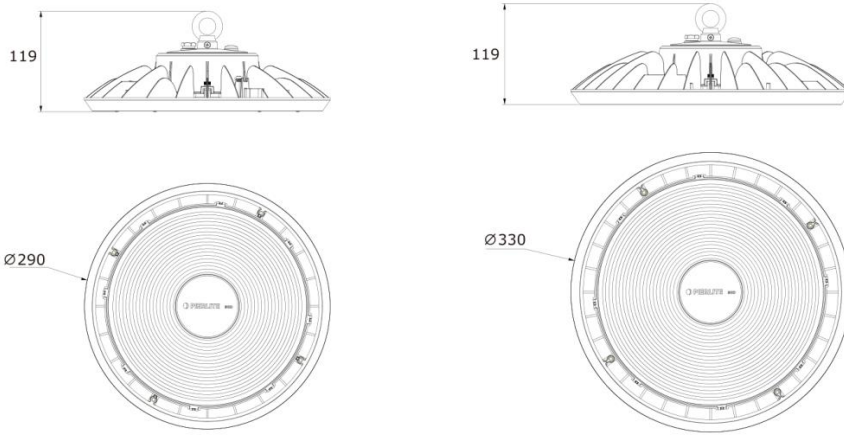
On Off	Dip Switch Setting			Lumen Output Lm
	1	2	3	
On	Off	Off	Off	32,900
Off	On	Off	Off	29,000
	Off	On	Off	21,300
	Off	Off	On	18,100

4. LINE DIAGRAMS AND DIMENSIONS

Item code	Diameter (mm)	Height (mm)	Weight in (kg)
ECOHB200LSE4G7, ECOHB200LSE5G7	330	119	2.5
ECOHB120LSE4G7, ECOHB120LSE5G7	290	119	1.85

ECOHB120LSE4G7, ECOHB120LSE5G7

ECOHB200LSE4G7, ECOHB200LSE5G7



5. **INSTALLATION / GENERAL:** Installation of the product is to be completed by an authorized and licensed electrician, in accordance with these instructions, relevant Australia standards and local regulations (where applicable). Termination of product wiring, together with the installation of the product must be in a manner and orientation that maintains the integrity of the designated IP rating of the product for electronic control equipment (when supplied) DO NOT MEGGER between A and N.

Installation:

Tools Required

- Flat blade screwdriver

Installation steps

<p>1. Double check suspension ring and safety lanyard and make sure they are tightly fixed on the body.</p>	<p>2. Use a flat head screw driver to unscrew the sealing cap. (If you use the default output, please ignore this step)</p>	<p>3. Set the lighting level to the desired lumen output via the lumen select switches. (If you use the default output, please ignore this step)</p>
<p>4. Use a flat head screw driver to tighten the sealing cap. (If you use the default output, please ignore this step)</p>	<p>5. Hanging the fitting, for safety, please hook the suspension ring and safety lanyard together.</p>	<p>6. Plug into power socket.</p>

Warning: The light source of this luminaire is not replaceable; when the light source reaches its end of life the whole luminaire shall be replaced.

6. **IMPORTANT** - the product must be maintained and operated in accordance with the manufacturer's instructions, failure to do so may damage the product and services. It is strongly recommended that this important note be communicated to the owner and or operator of the installation at the time of site commissioning. Good practice does not recommend the 24/7 use of products without the application of suitable switch cycle intervals. Furthermore, with the omission of nominated survival curves and or recommended operating hours, product design expectations provide for a continual daily usage of 6 hours for residential applications and a continual daily usage of 12 hours for commercial and industrial applications. All products must be thoroughly cleaned on a regular basis at intervals that reflect in the installation environment, ensuring the optical performance, together with the electrical, mechanical, and structural integrity as designed, is maintained throughout the service life of the product.

7. **APPROVALS** The RCM marking of this product applies to AS/NZS CISPR15 (EMC) "Limits and methods of measurement of radio disturbance characteristics of electrical lighting and similar equipment". This product is designed to conform to AS/NZS60598 "Luminaires, general requirements and tests".



8. **STORAGE:** Prior to installation products are to be stored in cool and dry conditions.

9. **APPLICATION:** The installation application and orientation of the product is designed in accordance with the nominated product IP rating, class designation and these installation installations. Installation environments outside these conditions are not recommended.

10. MAINTENANCE:

(a) The supply must be isolated before opening or accessing the luminaire. Product maintenance is IMPORTANT and is critical to the products designed performance. The product is to be maintained in accordance with the manufacturer's instructions. For the latest product maintenance guides please go to relevant brand web site. Pierlite is not responsible for any product not maintained in accordance with the recommended procedure or intervals.

(b) **Lamps (where provided):** The product is designed with the supplied (LEDs) / LAMP/s and it is strongly recommended that any LAMP / (LEDs) changes (if any) be made in accordance with the type, colour and brand supplied. For recommended LAMP / LED maintenance or operating guides (inclusive of recommended product switch cycles and mandatory run-in procedures for HID and Fluorescent lamps when used with dimming circuits), Pierlite recommends the application of the lamp manufacturer's operating guidelines, which can be found on manufacturer's website. Pierlite is not responsible for the product performance of alternative lamp/s used. As a member of FluroCycle, we encourage recycling of lamps and components.

(c) **For products supplied with glass visors or covers,** do not operate the product with a damaged visor or cover; it is recommended the product be turned off, area surrounding the product vacated, and the damaged glass replaced by a professional installer immediately.

(d) **Cables or cords,** If any external cable or cord of the X or Y type luminaire is damaged, it shall be replaced by a by a qualified person or manufactures service agent.

For Z type attachments to luminaire, cord cannot be replaced if damaged, the luminaire shall be removed from service.

Flex cord types.

- X: A specially prepared flexible cable or cord, may also include a part of the luminaire and only available from manufacture.
- Y: Attachment may be used either with ordinary or special flexible cable or cord.
- Z: Attachment of cable or cord that cannot be replaced without damage to luminaire

WARRANTY INSTRUCTIONS: For the purpose of warranty claims (if any) the following instructions apply:

Warranty period - The above components are provided with a warranty (refer to product specifications for details) against manufacturing defects or failure to perform to specifications for products installed by an authorised installer in accordance with the manufacturer's installation instructions and which have not been subject to incorrect operation or maintenance, unauthorised modification or damage arising from any intervening cause.

Warranty reference - The warranty reference date commences from the date of purchase.

Warranty point of contact – Pierlite, 96 Gow Street Padstow NSW 2211, phone T 1300 799 300 contact – Pierlite After Sales Support.

Warranty claim procedure – For the purpose of making a claim the customer must:

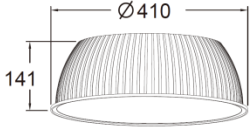

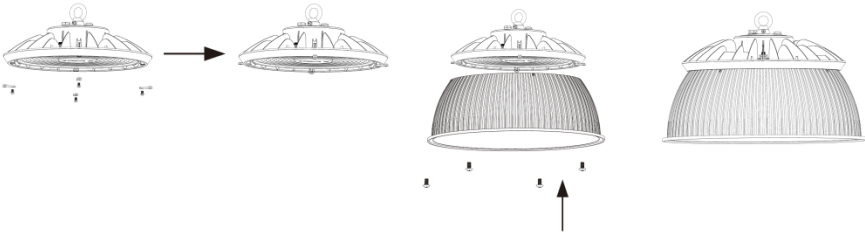
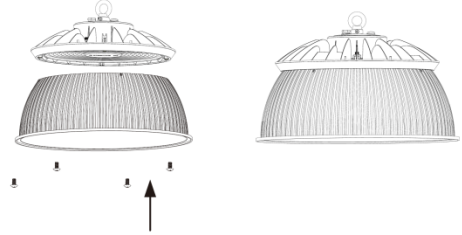
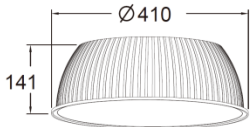
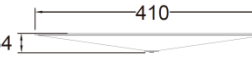



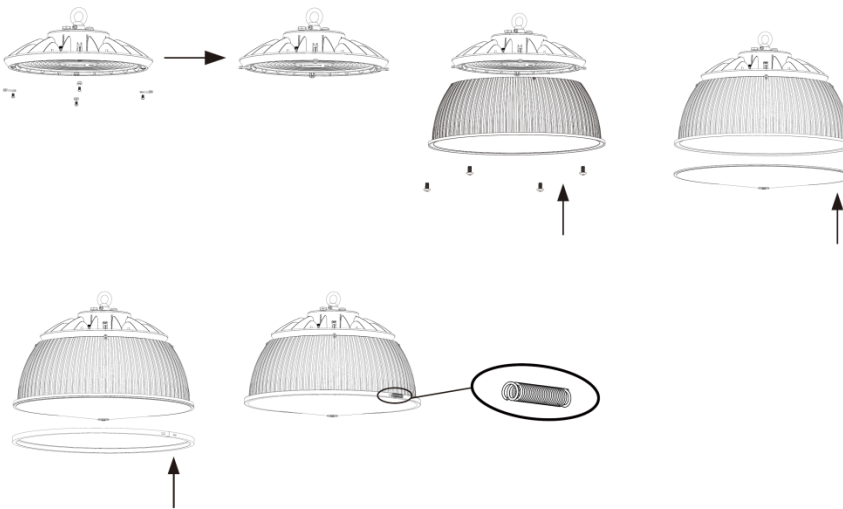
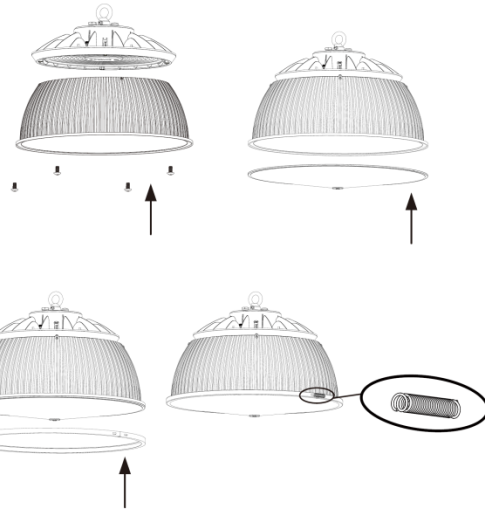

1. Contact the "point of contact" above and upon provision of proof of purchase the customer will receive a goods return advice (GRA) number.
2. At the customer's expense, collect and return the goods to the "point of contact" with the issued GRA number.
3. Upon receipt of the goods, Pierlite will review the claim and if found to be accepted, Pierlite will return a replacement product to the customer to install at the customer's expense. Alternatively, if the claim is rejected, the customer may request the return of the goods at their expense.

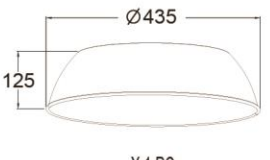
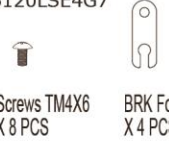
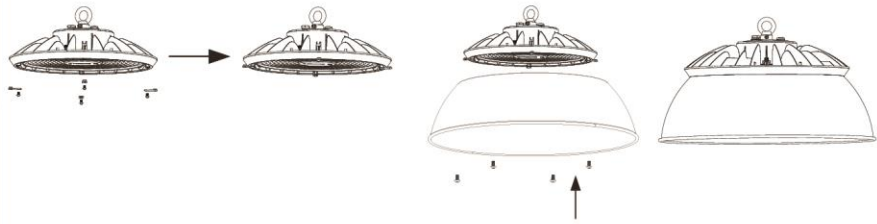
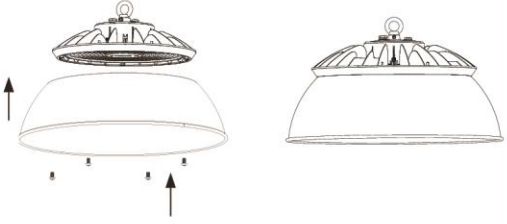

Consumer Contracts - The benefits to the customer given by the Pierlite warranty are in addition to other rights and remedies of the customer if the goods are the subject of a Consumer Contract under the Australian Consumer Law. In that event the following statement is required to be brought to the Consumer's attention: - *Our goods come with guarantees that cannot be excluded under the Australian Consumer Law. You are entitled to a replacement or refund for a major failure and for compensation for any other reasonably foreseeable loss or damage. You are also entitled to have the goods repaired or replaced if the goods fail to be of acceptable quality and the failure does not amount to a major failure.*

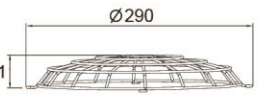
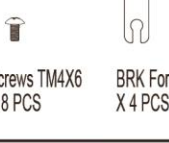
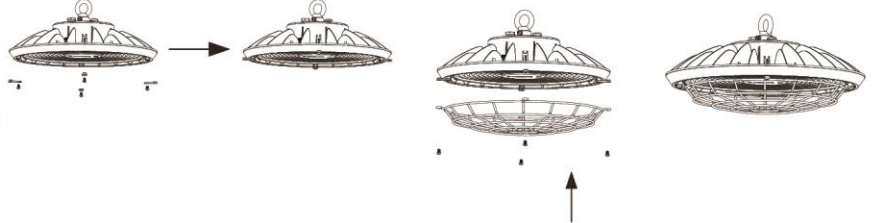
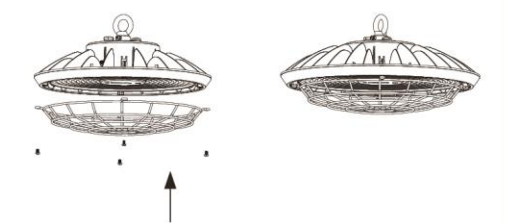

Limitation of Liability – if the goods are not purchased by the customer under a Consumer Contract within the Australian Consumer Law then but not otherwise;- (a) the Company is not liable in tort for any loss or damage suffered by the customer or by any third party; and (b) in no circumstances is Pierlite liable to the customer or to any third party for any loss of profits, loss of anticipated savings, economic loss or interruption of business or for any indirect or consequential loss (Consequential Loss).

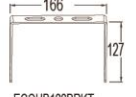
Terms of Sale – these warranty provisions are in substitution for any inconsistent provisions in the Pierlite Terms and Conditions of Sale in so far as they apply to the warranty components.

ACCESSORIES (TO BE PURCHASED SEPARATELY – Line drawings installation could also be found in the individual accessories pack).


 <p>Ø410 141</p> <p>X 1 PC</p> <p>HBPCREFR</p>	<p>ECOHB120LSE5G7 ECOHB120LSE4G7</p>  <p>Screws TM4X6 X 8 PCS BRK For REF X 4 PCS</p>	 <p>Install to ECOHB120LSE5G7 or ECOHB120LSE4G7</p>	 <p>Install to ECOHB200LSE5G7 or ECOHB200LSE4G7</p>	
 <p>Ø410 141</p> <p>X 1 PC HBPCREFR</p>  <p>410 34</p> <p>X 1 PC LENS</p>  <p>X 1 PC RING HBPCLENS</p>	<p>ECOHB120LSE5G7 ECOHB120LSE4G7</p>  <p>Screws TM4X6 X 8 PCS BRK For REF X 4 PCS</p>  <p>Spring X 1 PCS</p>	 <p>Install to ECOHB120LSE5G7 or ECOHB120LSE4G7</p>	 <p>Install to ECOHB200LSE5G7 or ECOHB200LSE4G7</p>	
<p>ECOHB200LSE5G7 ECOHB200LSE4G7</p>  <p>Screws TM4X6 X 4 PCS Spring X 1 PCS</p>				

 <p>Ø435 125 X 1 PC</p> <p>HBALREFL</p>	<p>ECOHB120LSE5G7 ECOHB120LSE4G7</p>  <p>Screws TM4X6 X 8 PCS BRK For REF X 4 PCS</p>	 <p>Install to ECOHB120LSE5G7 or ECOHB120LSE4G7</p>	 <p>Install to ECOHB200LSE5G7 or ECOHB200LSE4G7</p>
	<p>ECOHB200LSE5G7 ECOHB200LSE4G7</p>  <p>Screws TM4X6 X 4 PCS</p>		

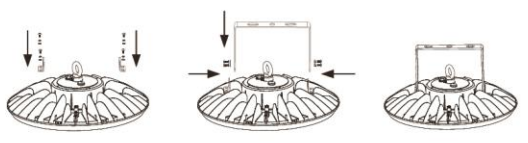
 <p>Ø290 41 X 1 PC</p> <p>HBWG</p>	<p>ECOHB120LSE5G7 ECOHB120LSE4G7</p>  <p>Screws TM4X6 X 8 PCS BRK For REF X 4 PCS</p>	 <p>Install to ECOHB120LSE5G7 or ECOHB120LSE4G7</p>	 <p>Install to ECOHB200LSE5G7 or ECOHB200LSE4G7</p>
	<p>ECOHB200LSE5G7 ECOHB200LSE4G7</p>  <p>Screws TM4X6 X 4 PCS</p>		



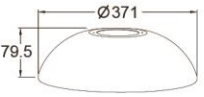
166
127
ECOHB120BRKT X 1 PC




Bracket base X 2 PCS
Screw TM5X10 X 8 PCS
Spring washer M5 X 8 PCS
Washer M5 X 8 PCS



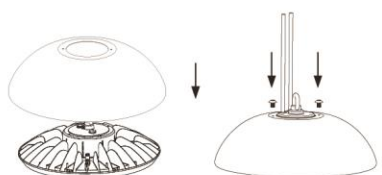
ECOHB120BRKT



Ø371
79.5
ECOHBGSLRCOV X 1 PC



Screws TM3X4 X 2 PCS



HBDCVR