

INSTALLATION / WARRANTY INSTRUCTIONS

PRODUCT BRAND: PIERLITE

PRODUCT NAME: LABLED Operating Theatre

PRODUCT CODE: LAB65OT9123CLSA, LAB65OT9063CLSA

Issue Date:22/06/2022

Please read these installation instructions carefully before installing or maintaining this equipment. The product is designed for installation and maintenance in accordance with relevant Australian standards (AS/NZ3000), by an authorised and licensed electrician. The installation instructions were correct at the time of print. To reflect changes in technology and Australian and New Zealand standards; Pierlite reserves the right to amend the instructions without notice. Updated guidelines can be found on relevant brand web site.



1. PRODUCT SPECIFICATION:

Product code	LAB65OT9123CLSA	LAB65OT9063CLSA
Type of protection	Class I	Class I
Ingress protection	IP65	IP65
IK rating	IK08	IK08
Nominal voltage	240Vac	240Vac
Nominal frequency	50Hz	50Hz
Number of wattages per fitting	6	4
Available wattages	Refer to section 2	
Power factor	0.80 to 0.97	>0.97
Surge protection rating	L-N: 4KV, L-E: 4KV, N-E: 4KV	L-N: 3.5KV, L-E: 4KV, N-E: 4KV
Inrush current	Cold start 10A(twidth=200µs Measured at 50% Ipeak) at 230VAC	Cold start 5A(twidth=50µs Measured at 50% Ipeak) at 230VAC
Earth leakage	0.11mA	0.88mA
Operating ambient temperature	0 to +40°C	
LED lifetime	72,000hrs (L70B50)	
COI	2.3	
Colour temperature	4000K	
Colour rendering index (CRI)	>90	
LED control gear	DALI	
Available in emergency	No	
Cable entry	2 x 16	
Installation Orientation	Recessed	
Dimensions (LxWxH)	Refer to section 4	
Net weight of luminaire	Refer to section 4	
Warranty	5 years	

2. ELECTRICAL CHARACTERISTICS

Product code	Power(W)	Line Current (A)	Power factor	Drive Current(mA)	Colour Temperature (K)	Lumen output(lm)	Factory Default
LAB65OT9123CLSA	68	0.291	0.97	1400	4000K	7010	
	50	0.218	0.94	1050		4959	Default
	41	0.183	0.93	850		4102	
	33	0.157	0.88	700		3398	
	29	0.144	0.83	600		2963	
	24	0.125	0.80	500		2485	
LAB65OT9063CLSA	30	0.128	0.99	700		3005	Default
	23	0.100	0.98	550		2333	
	20	0.860	0.98	460		2033	
	18	0.760	0.97	400		1790	

3. DALI CONTROL GEAR: The LED driver and emergency control gear are both controllable through the DALI RAPIX system. A DALI connection is not required in a non-systemized electrical system. If DALI is not required do not connect it.

Note: When designing the DALI system please refer to the table below for the number of DALI addresses.

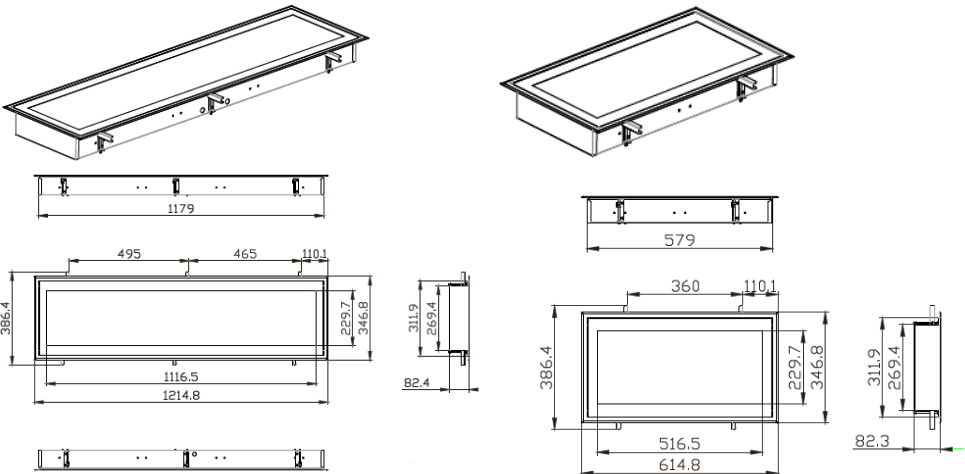
Control gear	Function	Number of Addresses
LED Driver	Dimming, on/off & feedback	1
Emergency Inverter	Testing & Reporting	1

4. LINE DIAGRAMS AND DIMENSIONS

Product code	Length (mm)	Width (mm)	Height (mm)	Net Weight in (kg)
LAB65OT9123CLSA	1215	347	82	9.5
LAB65OT9063CLSA	615	347	82	4.8

Cutout Size

Product code	Length (mm)	Width (mm)	Ceiling Thickness Height (mm)
LAB65OT9123CLSA	1182	315	15 to 20
LAB65OT9063CLSA	582	315	15 to 20



5. LUMEN SELECT (CONTRACTOR SELECTABLE OUTPUT)

Pierlite’s lumen select products allows all licensed electricians to purchase one luminaire that can be set as multiple fixed wattages/fixed lumen outputs. By offering this capability within one fitting it provides the following benefits

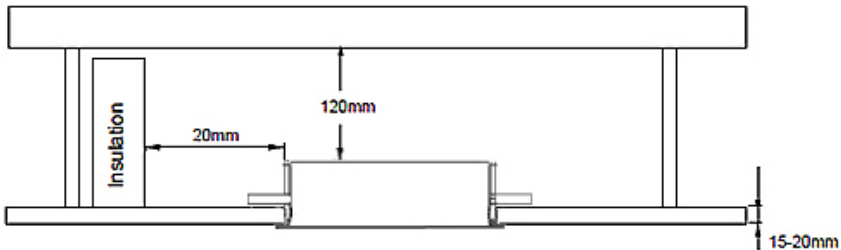
- One fitting multiple fixed outputs
- Less stocked items
- Variable onsite options
- Easy to change settings
- IES files available for all available for wattages shown in the below table
- No control system or software required to change fixed output

The LAB LED Operating Theatre luminaires has been factory set to pre-determined light levels. If a different wattage/lumen output is required, the licensed electrician can easily change the driver dip switches to the settings shown in the below table.

LAB65OT9123CLSA				LAB65OT9063CLSA			
System Wattage	Driver Settings	Lumen Output	Driver Dip Switch Settings	System Wattage	Driver Settings	Lumen Output	Driver Dip Switch Settings
65W	1400mA	7010lm		30W	700mA	3005lm	
50W (DEFAULT)	1050mA	4959lm		23W (DEFAULT)	550mA	2333lm	
41W	850mA	4100lm		20W	460mA	2033lm	
33W	700mA	3398lm		18W	400mA	1790lm	
29W	600mA	2963lm					
24W	500mA	2485lm					

6. INSTALLATION / GENERAL: Installation of the product is to be completed by an authorized and licensed electrician, in accordance with these instructions, relevant Australia standards and local regulations (where applicable). Termination of product wiring, together with the installation of the product must be in a manner and orientation that maintains the integrity of the designated IP rating of the product for electronic control equipment (when supplied) DO NOT MEGGER between A and N.

Installation Requirements – air flow



WARNING- RISK OF OVERHEATING OR FIRE IF THE CLEARANCE DISTANCE ARE COMPROMISED.

DANGER — RISK OF FIRE

– SHALL NOT BE INSTALLED IN DOMESTIC PREMISES

- (a) The minimum distance from the top of the luminaire to any normally flammable building element is 120 mm.
- (b) The minimum distance from the top of the luminaire to any building insulation is 120mm.
- (c) The minimum distance from the side of the luminaire to any normally flammable building element is 20 mm.
- (d) The minimum distance from the side of the luminaire to any building insulation is 20 mm.

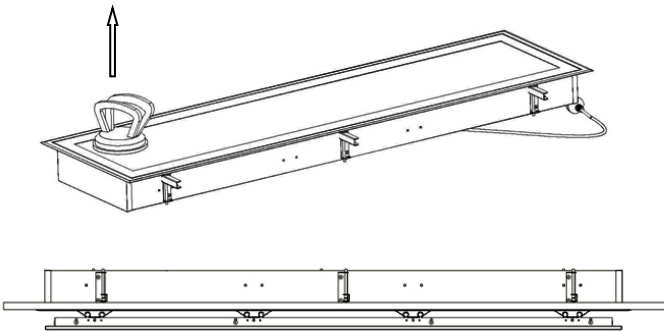
Warning: The light source contained in this luminaire shall only be replaced by the manufacturer or his service agent or a similar qualified person.

Installation Instructions:

Step 1

Starting from one corner release frame from body with the suction tool (sold separately).

Frame will still remain attached to body via torsion springs.



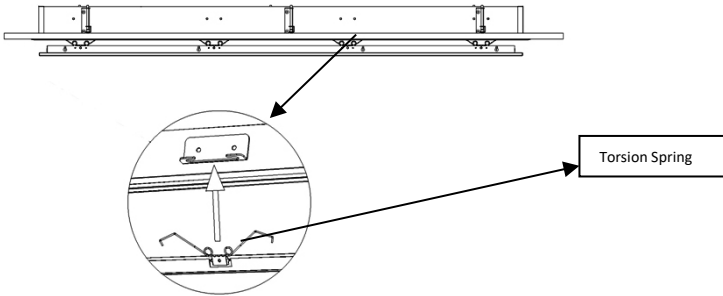
Cover Removal Tool Information:

A suction cup or tool is recommended to use for the easy removal and replacement of the cover frame. These are readily available in DIY hardware stores. You can also order these from Pierlite. See order code below.

Product Code	Description
LAB65OT-SH	LAB65OT SUCTION HOLDER FOR EASY COVER REMOVAL

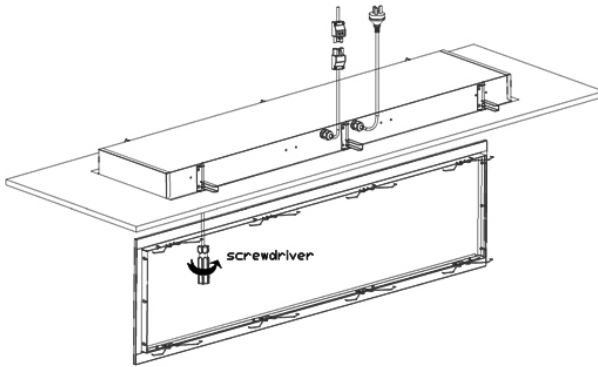
Step 2

Disconnect all torsion springs to release the frame from body.



Step 3

Lift the luminaire into the ceiling cavity, ensuring the toggle arms are turned in and run flush against body of fitting, so it will enter ceiling cut out. Using Phillips head screwdriver, turn screw anti-clock wise to ensure toggle recess arms are set to maximum travel to allow a maximum ceiling thickness of 15-20mm.



Step 4

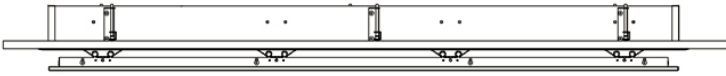
Use a Phillips head screwdriver in a clockwise direction to tension up toggle recess arms against inside of ceiling. Perform this on all six screws to secure fitting to ceiling.



Step 5

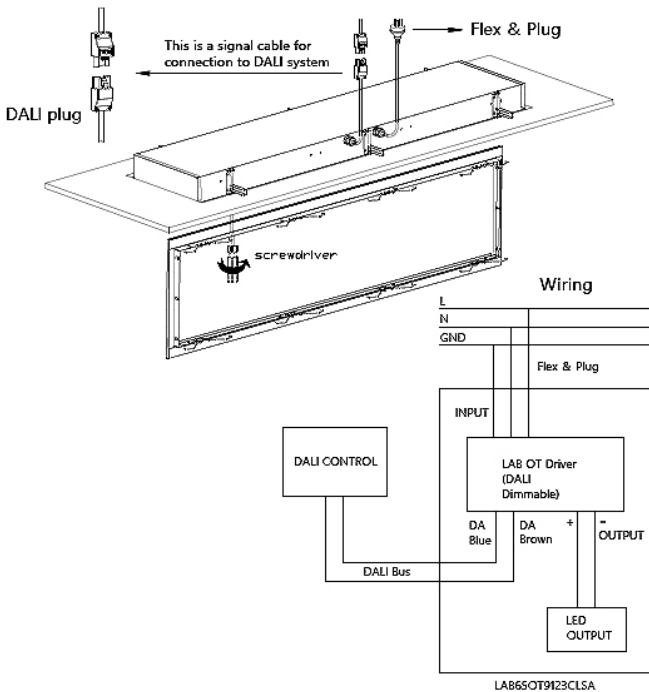
Re-attach all springs to body.

Re-attach frame assembly to main body starting at one side and then slowly pushing up other side until springs pull the frame shut.



Step 6

Wiring according to the following:



IMPORTANT - the product must be maintained and operated in accordance with the manufacturer’s instructions, failure to do so may damage the product and services. It is strongly recommended that this important note be communicated to the owner and or operator of the installation at the time of site commissioning. Good practice does not recommend the 24/7 use of products without the application of suitable switch cycle intervals. Furthermore, with the omission of nominated survival curves and or recommended operating hours, product design expectations provide for a continual daily usage of 6 hours for residential applications and a continual daily usage of 12 hours for commercial and industrial applications. All products must be thoroughly cleaned on a regular basis at intervals that reflect in the installation environment, ensuring the optical performance, together with the electrical, mechanical, and structural integrity as designed, is maintained throughout the service life of the product.

APPROVALS:

The RCM marking of this product applies to AS/NZS CISPR15 (EMC) “Limits and methods of measurement of radio disturbance characteristics of electrical lighting and similar equipment”. This product is designed to conform to AS/NZS60598 “Luminaires, general requirements and tests”.



STORAGE: Prior to installation products are to be stored in cool and dry conditions.

APPLICATION: The installation application and orientation of the product is designed in accordance with the nominated product IP rating, class designation and these installation installations. Installation environments outside these conditions are not recommended.

MAINTENANCE:

(a) The supply must be isolated before opening or accessing the luminaire. Product maintenance is IMPORTANT and is critical to the products designed performance. The product is to be maintained in accordance with the manufacturer's instructions. For the latest product maintenance guides please go to relevant brand web site. Pierlite is not responsible for any product not maintained in accordance with the recommended procedure or intervals.

(b) **Lamps (where provided):** The product is designed with the supplied (LEDs) / LAMP/s and it is strongly recommended that any LAMP / (LEDs) changes (if any) be made in accordance with the type, colour and brand supplied. For recommended LAMP / LED maintenance or operating guides (inclusive of recommended product switch cycles and mandatory run-in procedures for HID and Fluorescent lamps when used with dimming circuits), Pierlite recommends the application of the lamp manufacturer's operating guidelines, which can be found on manufacturer's website. Pierlite is not responsible for the product performance of alternative lamp/s used. As a member of FluroCycle, we encourage recycling of lamps and components.

(c) **Battery (where provided):** The battery is designed with a rated average battery design life in standby mode, and is supported with a standard warranty (refer to product specifications for details); conditional of the product being maintained and operated in accordance with the manufacturer's guidelines and tested in accordance with AS/NZS2293. For guidelines see product installation instructions or visit the relevant brand web site.

(d) **For products supplied with glass visors or covers,** do not operate the product with a damaged visor or cover; it is recommended the product be turned off, area surrounding the product vacated, and the damaged glass replaced by a professional installer immediately.

(e) **Cables or chords (where provided):** If any external cable or cord of the X or Y type luminaire is damaged, it shall be replaced by a qualified person or manufacturers service agent.

For Z type attachments to luminaire, cord cannot be replaced if damaged, the luminaire shall be removed from service.

Flex cord types

- X: Specially prepared flexible cable or cord, may also include a part of the luminaire and only available from manufacturer.
- Y: Attachment may be used with either an ordinary or special flexible cable/cord.
- Z: Attachment of cable/cord that cannot be replaced without damage to luminaire

WARRANTY INSTRUCTIONS: For purpose of warranty claims (if any) the following instructions apply:

Warranty period - The above components are provided with a warranty (refer to product specifications for details) against manufacturing defects or failure to perform to specifications for products installed by an authorised installer in accordance with the manufacturer's installation instructions and which have not been subject to incorrect operation or maintenance, unauthorised modification or damage arising from any intervening cause.

Warranty reference - The warranty reference date commences from the date of purchase.

Warranty point of contact – Pierlite, 96 Gow Street Padstow NSW 2211, phone T 1300 799 300 – Pierlite After Sales Support.

Warranty claim procedure – For the purpose of making a claim the customer must:

1. Contact the "point of contact" above and upon provision of proof of purchase the customer will receive a goods return advice (GRA) number. 2. At the customer's expense, collect and return the goods to the "point of contact" with the issued GRA number. 3. Upon receipt of the goods, Pierlite will review the claim and if found to be accepted, Pierlite will return a replacement product to the customer to install at the customer's expense. Alternatively, if the claim is rejected, the customer may request the return of the goods at their expense.

Consumer Contracts - The benefits to the customer given by the Pierlite warranty are in addition to other rights and remedies of the customer if the goods are the subject of a Consumer Contract under the Australian Consumer Law. In that event the following statement is required to be brought to the Consumer's attention: - *Our goods come with guarantees that cannot be excluded under the Australian Consumer Law. You are entitled to a replacement or refund for a major failure and for compensation for any other reasonably foreseeable loss or damage. You are also entitled to have the goods repaired or replaced if the goods fail to be of acceptable quality and the failure does not amount to a major failure.*

Limitation of Liability – if the goods are not purchased by the customer under a Consumer Contract within the Australian Consumer Law then but not otherwise;- (a) the Company is not liable in tort for any loss or damage suffered by the customer or by any third party; and (b) in no circumstances is Pierlite liable to the customer or to any third party for any loss of profits, loss of anticipated savings, economic loss or interruption of business or for any indirect or consequential loss (Consequential Loss).

Terms of Sale – these warranty provisions are in substitution for any inconsistent provisions in the Pierlite Terms and Conditions of Sale in so far as they apply to the warranty components.