



Motion Sensor for Pierlux Eco Highbay

This sensor is a motion sensitive on/off switch, which turns on the light upon detection of motion, and turns off after a pre-selected hold-time when there is no movement. A daylight sensor is also built in to prevent the light from switching on when there is sufficient natural light.

- Plug and Go installation
- HF sensor technology for reliable movement detection
- Adjustable detection range (100% / 75% / 50% / 10%)
- Adjustable hold-time after last movement (2 seconds to 30 minutes)
- Simple commissioning via rotary switch or an optional remote control
- ON/OFF switching up to 800W of LED lighting
- IP65 ingress protection
- Intelligent photocell with daylight detection prior to motion detection
- Detection range (maximum) 10M (∅) x 12M (height)
- Suitable for Warehouses Factories Storage facilities and Shopping/retail centres

ON/OFF CONTROL

IP65 RATED

Max Range
10m x 12m
(∅ x H)

Max Load
800W
(capacitive)



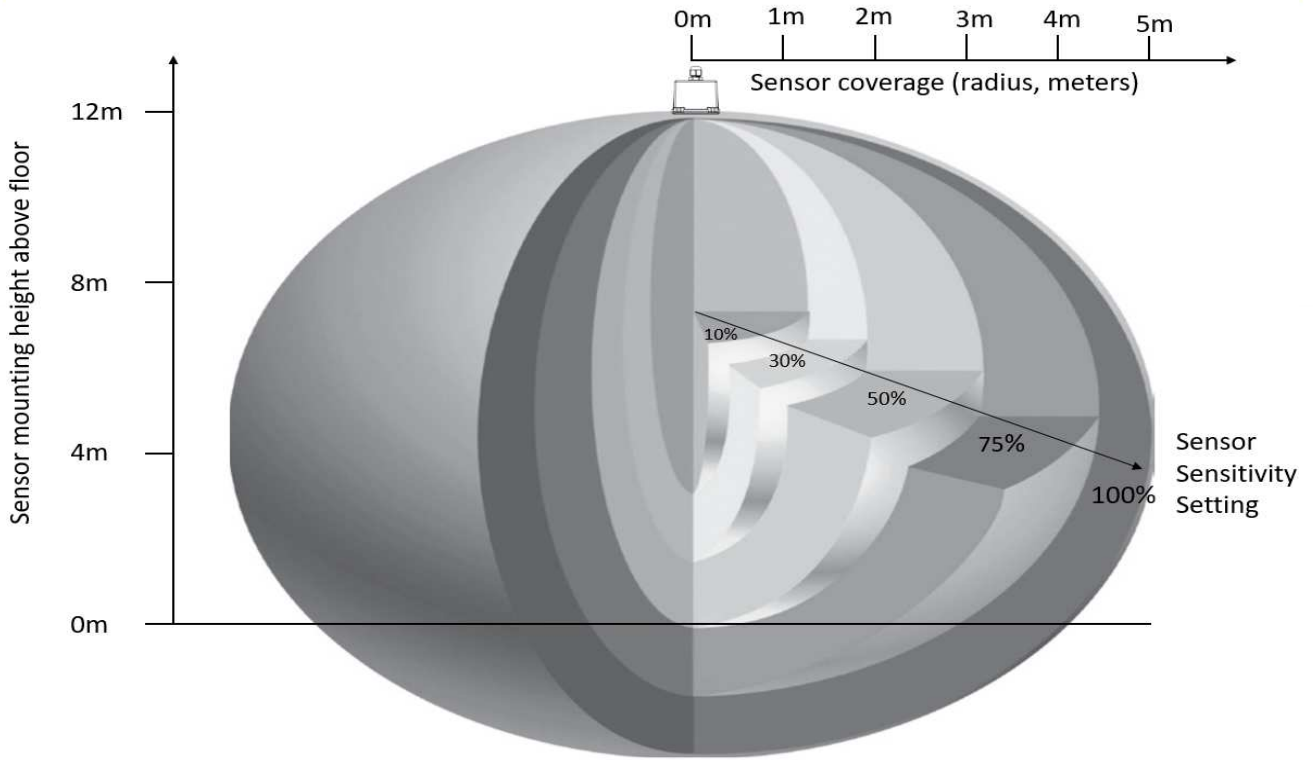
GENERAL SPECIFICATION

VOLTAGE	STAND-BY POWER	LOAD RATING	WARM UP TIME	SENSOR TYPE	SENSOR OPERATION FREQUENCY
220-240VAC 50HZ	<1W	CAPACITIVE 800W RESISTIVE 1000W	20S	HIGH FREQUENCY (MICROWAVE)	5.8GHZ +/- 75MHZ
SENSOR TRANSMISSION POWER	DETECTION RANGE	DETECTION ANGLE	OPERATION TEMPERATURE	IP RATING	CONTROL TYPE
<0.2mW	MAX. (∅ X H) 10M X 12M	360°	Ta: -20°C +50°C	IP65	ON/OFF SWITCHING (NOT DIMMING)
LIGHT LEVEL SENSOR	YES				

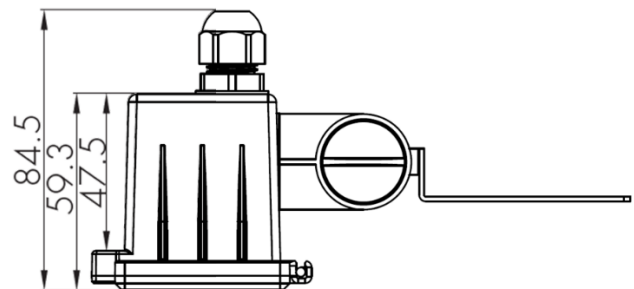
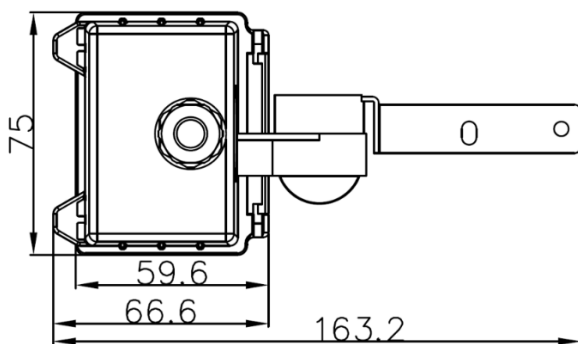
UNIQUE SPECIFICATION

ITEM CODE	DESCRIPTION	COLOUR
ECOHSFHF	PIERLUX ECO HIGHBAY MOTION SENSOR AND LIGHT LEVEL SENSOR PROVIDING ON/OFF CONTROL	BLACK

SENSOR DETECTION PATTERN



DIMENSIONS



INSTALLATION

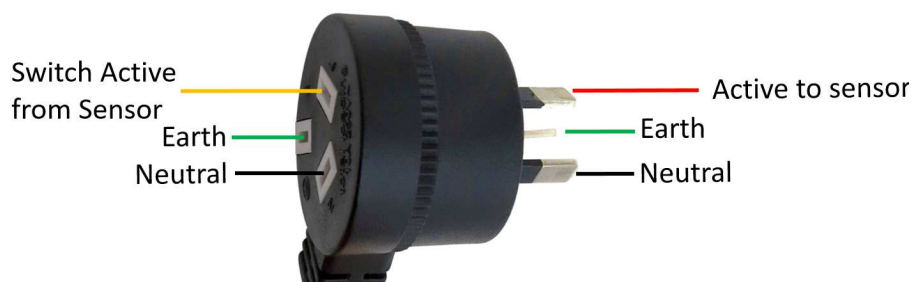
A piggyback plug is pre-fitted to the sensor. This allows for plug and play operation.



PRE-WIRED PIGGYBACK PLUG AND SOCKET CONNECTIONS

The Neutral and Earth connection on the pins of the piggyback plug pass straight through to the piggyback socket. The Active supply on the pin of the piggyback plug does not pass through to the socket. The Active on the piggyback socket uses the Switched Active from the sensor.

This allows the highbay plugged into the piggyback socket to be controlled (ON/OFF) via the sensor, without any additional terminations.



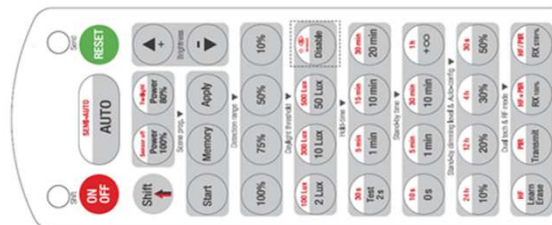
PROGRAMMING THE SENSOR USING THE ROTARY SWITCH PRE-SETS

A rotary switch is built inside the sensor for scene selection / fast programming. A total of 16 pre-sets are available. The rotary switch is accessed by removing the two screws which retain the front cover of the sensor housing. The front cover then hinges back to expose the rotary switch.

Rotary Switch position	Pre-set values		
	Detection range	Hold-time	Daylight Sensor
0	100%	5s	Disabled
1	100%	1min	2 Lux
2	100%	5min	10 Lux
3	100%	5min	30 Lux
4	100%	5min	10 Lux
5	100%	5min	30 Lux
6	100%	5min	Disabled
7	100%	10min	2 Lux
8	100%	10min	10 Lux
9	100%	10min	30 Lux
A	100%	10min	Disabled
B	75%	10min	30 Lux
C	50%	10min	10 Lux
D	100%	30min	50 Lux
E	100%	30min	Disabled
F	100%	5s	2 Lux

PROGRAMMING THE SENSOR USING THE OPTIONAL REMOTE CONTROL

In addition to programming the sensor via the rotary switch pre-sets, an optional remote control, part number PRC11, can be purchased separately.



When using the optional PRC11 remote control:-

- The programming is not limited to the 16 pre-sets on the rotary switch; any combinations of detection range, hold-time and daylight sensor setting can be programmed
- The required sensor settings can be saved to the remote and copied to further sensors in the installation by pressing one button
- Advances features, such as 'Ambient Daylight threshold', can be utilised.