



**GENERAL CHARACTERISTICS**

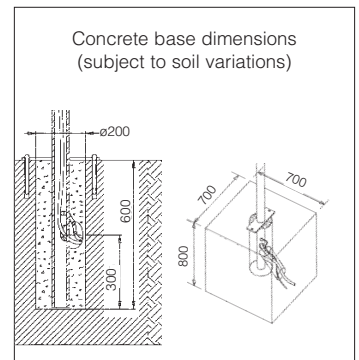
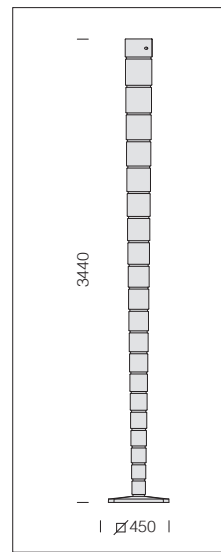
**Housing/Frame:** in die-cast aluminium.

**Reflector:** made of satin aluminium.

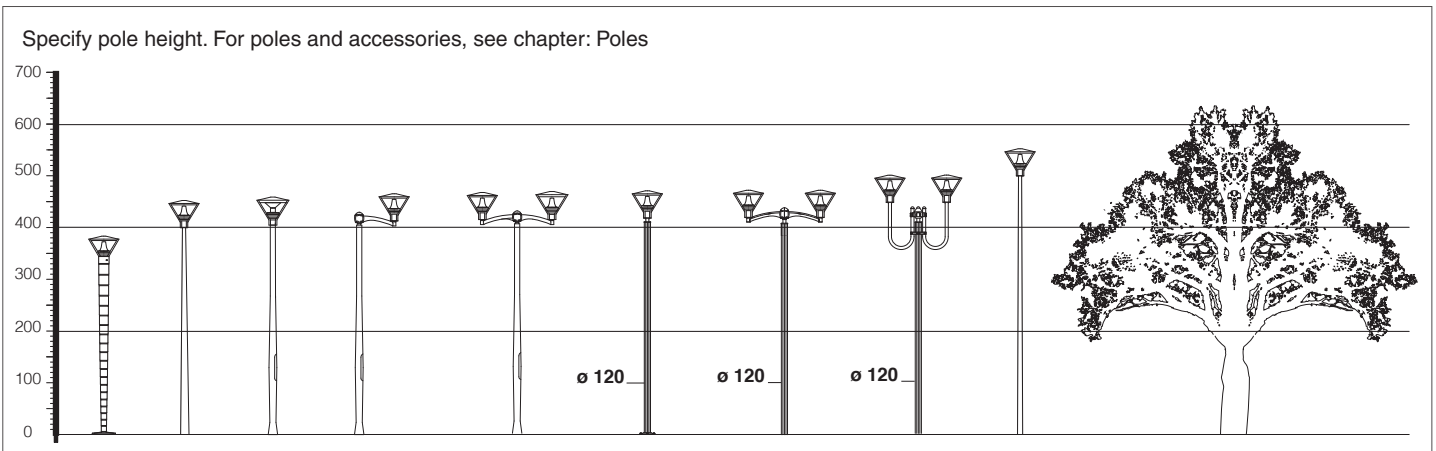
**Painting:** the standard liquid immersion coating consists of a first metal surface pre-treatment stage, a successive epoxy cathaphoresis corrosion and salt resistant coating, and a final layer of bi-component acrylic liquid UV-stabilised coating.

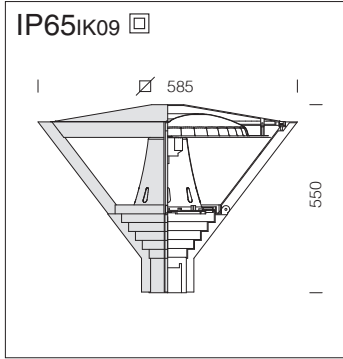
**Diffuser:** in vandal-resistant V2 self-extinguishing polycarbonate, UV-stabilized, smooth and clear.

**Standard supply:** safety diode to protect against voltage peaks compliant with EN 61547. With dedicated electronic device to protect the LED module. Supplied with double insulation switch.

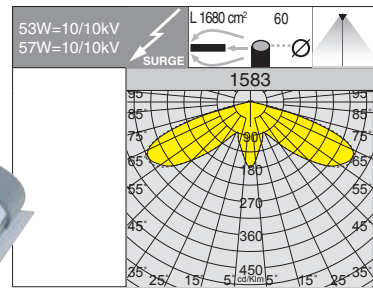


<b>acc. 1510 Ambrosiano pole</b>	
grey 9007	426360-00
grey	426359-00
In cast iron. Complete with base. Internal tube ∅ 70mm.	





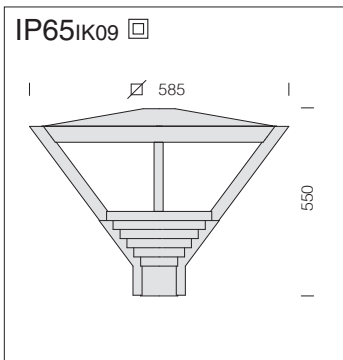
**LED:** Power factor  $\geq 0.9$ .  
Luminous flux maintenance 80%:  
50.000h (L80B20).



**Note:** when ordering, make sure you select the **AMBER LED** type best suited for your lighting design and installation needs.

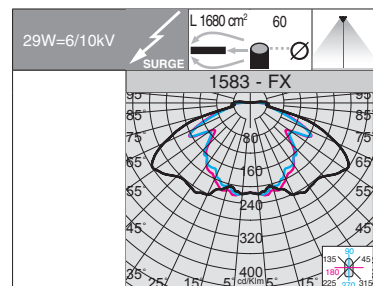
1583 Vista					
		CLD		LUMEN OUTPUT (tq= 25 °C)	
wattage (1400mA)	colour	weight	code	W tot	K - ølm - CRI
<b>LED COB</b>	graphite	13.30	422212-00	<b>53</b>	4000K - 3700lm - CRI $\geq$ 80
	grey 9007		422213-00		
<b>LED COB AMBER</b>	graphite	13.30	422212-73	<b>57</b>	2200K - 3415lm - <b>AMBER</b>
	grey 9007		422213-73		

1583 Vista - anti-light pollution					
		CLD		LUMEN OUTPUT (tq= 25 °C)	
wattage (1400mA)	colour	weight	code	W tot	K - ølm - CRI
<b>LED COB</b>	graphite	12.50	422212-0016	<b>53</b>	4000K - 3441lm - CRI $\geq$ 80
	grey 9007		422213-0016		



**Optics:** made of PMMA with high temperature resistance and UV rays.

**LED:** Power factor  $\geq 0.9$ .  
Luminous flux maintenance 80%:  
80.000h (L80B10).



1583 Vista - FX					
		CLD PROG		LUMEN OUTPUT (tq= 25 °C)	
wattage	colour	weight	code	W tot	K - ølm - CRI
<b>LED</b>	graphite	12.00	422304-00	<b>29</b>	4000K - 3691lm - CRI 70
			422304-39		3000K - 3432lm - CRI 70

Integrated **ADVANCED PROG functions** (see page XVI-XX).