

INSTALLATION / WARRANTY INSTRUCTIONS

Issue Date: 21-07-2021

VANDALED COLOUR SELECT

PLEASE READ THESE INSTALLATION INSTRUCTIONS CAREFULLY BEFORE INSTALLING OR MAINTAINING THIS EQUIPMENT. THE PRODUCT IS DESIGNED FOR INSTALLATION AND MAINTENANCE IN ACCORDANCE WITH RELEVANT AUSTRALIAN STANDARDS (AS/NZ3000), THESE INSTRUCTIONS AND LOCAL REGULATIONS (WHERE APPLICABLE), BY AN AUTHORISED AND LICENCED ELECTRICIAN. THE INSTALLATION INSTRUCTIONS WERE CORRECT AT THE TIME OF PRINT. TO REFLECT CHANGES IN TECHNOLOGY AND AUSTRALIAN STANDARDS; GLG RESERVES THE RIGHT TO AMEND THE INSTRUCTIONS WITHOUT NOTICE. UPDATED GUIDELINES CAN BE FOUND ON RELEVANT BRAND WEB SITE.

IMPORTANT - THE PRODUCT MUST BE MAINTAINED AND OPERATED IN ACCORDANCE WITH THE MANUFACTURER'S INSTRUCTIONS, FAILURE TO DO SO MAY DAMAGE THE PRODUCT AND SERVICES. IT IS STRONGLY RECOMMENDED THAT THIS IMPORTANT NOTE BE COMMUNICATED TO THE OWNER AND OR OPERATOR OF THE INSTALLATION AT THE TIME OF SITE COMMISSIONING. GOOD PRACTICE DOES NOT RECOMMEND THE 24/7 USE OF PRODUCTS WITHOUT THE APPLICATION OF SUITABLE SWITCH CYCLE INTERVALS. GLG IS NOT RESPONSIBLE FOR ANY PRODUCT NOT MAINTAINED IN ACCORDANCE WITH THE RECOMMENDED PROCEDURES. ALL PRODUCTS SHOULD BE THOROUGHLY CLEANED ON A REGULAR BASIS TO ENSURE THE OPTICAL PERFORMANCE, TOGETHER WITH THE ELECTRICAL, MECHANICAL AND STRUCTURAL INTEGRITY AS DESIGNED, IS MAINTAINED THROUGHOUT THE SERVICE LIFE OF THE PRODUCT.



COLOUR SELECT



1. PRODUCT SPECIFICATION:

Type of Protection	Class I Luminaire
IP Rating	IP65
IK Rating	IK10
Nominal Voltage	220-240V
Power factor	>0.90
Nominal Freq. (Hz)	50/60Hz
Inrush current	Cold start 12A(twidth=196us measured at 50% Ipeak)
Earth Leakage	0.107mA
Rated operating ambient temperature	0°C to +50°C
Rated Average life	L70@ 60,000hrs
Body material	Polycarbonate body
Finish	RAL 9007 grey
Installation orientation	Surface – ceiling / wall
Designed application	Industrial
Electrical connection	Direct into large terminal block
Dimensions	600x70x85mm
Net Weight of luminaire	1.06kg

2. ELECTRICAL CHARACTERISTICS

SKU to Order	System Wattage (W)	Line Current (A)	Power Factor	Colour Temperature	Lumen output
VLED20ECS	20W	0.1A	0.9	3000K	2276lm
				4000K	2407lm

4. APPROVALS: The RCM marking of this product applies to AS/NZS CISPR15 (EMC) "Limits and methods of measurement of radio disturbance characteristics of electrical lighting and similar equipment". This product is designed to conform to all current AS/NZS60598 "Luminaires, general requirements and tests".

5. STORAGE: Prior to installation products are to be stored in cool and dry conditions.

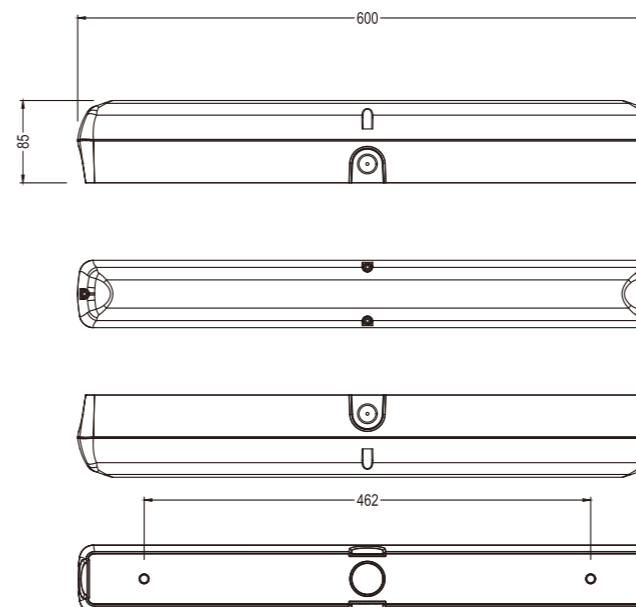
6. APPLICATION: The installation application and orientation of the product is designed in accordance with the nominated product IP rating, class designation and these installation installations. Installation environments outside these conditions are not recommended.

7. INSTALLATION / GENERAL: Installation of the product is to be completed by an authorized and licensed electrician, in accordance with these instructions, relevant Australia standards and local regulations (where applicable). Termination of product wiring, together with the installation of the product must be in a manner that maintains the integrity of the designated IP rating of the product for electronic control equipment (when supplied) DO NOT MEGGER between A and N.

Installation: please refer to last page.

8. Line Diagrams

Fitting Size	Length in mm	Width in mm	Height in mm	Weight in Kg
2 foot	600	70	85	1.06



9. MAINTENANCE:

(a) The supply must be isolated before opening or accessing the luminaire. Product maintenance is IMPORTANT and is critical to the products designed performance. The product is to be maintained in accordance with the manufacturer's instructions. For the latest product maintenance guides please go to relevant brand web site. GLG is not responsible for any product not maintained in accordance with the recommended procedure or intervals.

(b) Lamps (where provided): The product is designed with the supplied (LEDs) / LAMP/s and it is strongly recommended that any LAMP / (LEDs) changes (if any) be made in accordance with the type, colour and brand supplied. For recommended LAMP / LED maintenance or operating guides (inclusive of recommended product switch cycles and mandatory run-in procedures for HID and Fluorescent lamps when used with dimming circuits), GLG recommends the application of the lamp manufacturer's operating guidelines, which can be found on manufacturer's website. GLG is not responsible for the product performance of alternative lamp/s used. As a member of FluroCycle, we encourage recycling of lamps and components.

(c) For products supplied with glass visors or covers, do not operate the product with a damaged visor or cover; it is recommended the product be turned off, area surrounding the product vacated and the damaged glass replaced by a professional installer immediately.

10. WARRANTY INSTRUCTIONS: For the purpose of warranty claims (if any) the following instructions apply:
Warranty period - The above components are provided with a warranty of **Five (5) years** against manufacturing defects or failure to perform to specifications for products installed by an authorised installer in accordance with the

manufacturer's installation instructions and which have not been subject to incorrect operation or maintenance, unauthorised modification or damage arising from any intervening cause.

Warranty reference - The warranty reference date commences from the date of purchase.

Warranty point of contact - GLG Pty Ltd, 96 Gow Street Padstow NSW 2211, phone T 1300 799 300 contact - GLG After Sales Support.

Warranty claim procedure - For the purpose of making a claim the customer must:

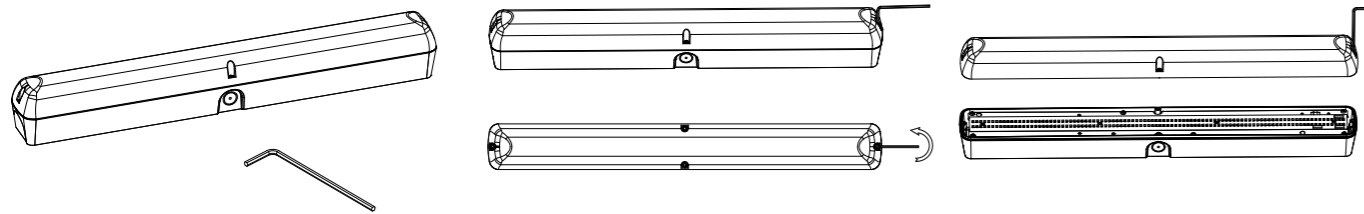
1. Contact the "point of contact" above and upon provision of proof of purchase the customer will receive a goods return advice (GRA) number. 2. At the customer's expense, collect and return the goods to the "point of contact" with the issued GRA number. 3. Upon receipt of the goods, GLG will review the claim and if found to be accepted, GLG will return a replacement product to the customer to install at the customer's expense. Alternatively, if the claim is rejected, the customer may request the return of the goods at their expense. **Consumer Contracts** - The benefits to the customer given by the GLG warranty are in addition to other rights and remedies of the customer if the goods are the subject of a Consumer Contract under the Australian Consumer Law. In that event the following statement is required to be brought to the Consumer's attention: - *Our goods come with guarantees that cannot be excluded under the Australian Consumer Law. You are entitled to a replacement or refund for a major failure and for compensation for any other reasonably foreseeable loss or damage. You are also entitled to have the goods repaired or replaced if the goods fail to be of acceptable quality and the failure does not amount to a major failure.*

Limitation of Liability - if the goods are not purchased by the customer under a Consumer Contract within the Australian Consumer Law then but not otherwise; - (a) the Company is not liable in tort for any loss or damage suffered by the customer or by any third party; and (b) in no circumstances is GLG liable to the customer or to any third party for any loss of profits, loss of anticipated savings, economic loss or interruption of business or for any indirect or consequential loss (Consequential Loss).

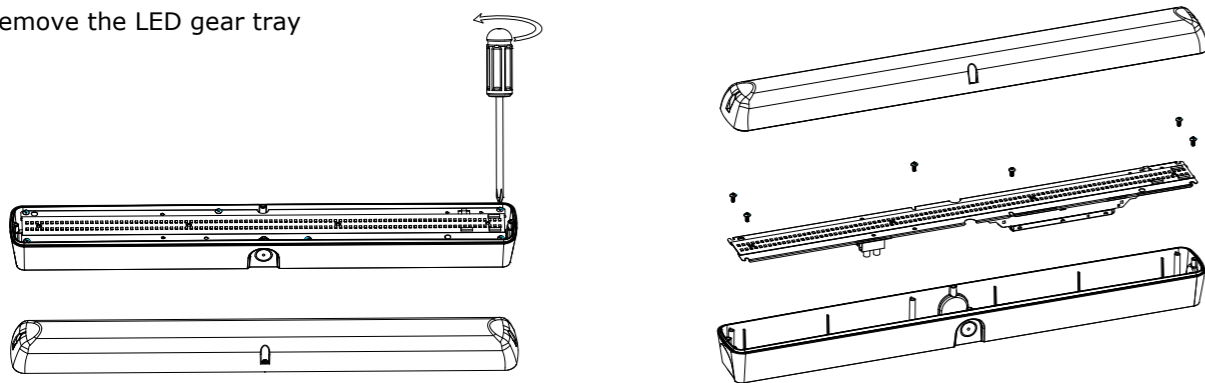
Terms of Sale - these Warranty provisions are in substitution for any inconsistent provisions in the GLG Terms and Conditions of Sale in so far as they apply to the Warranty components.

11. Installation

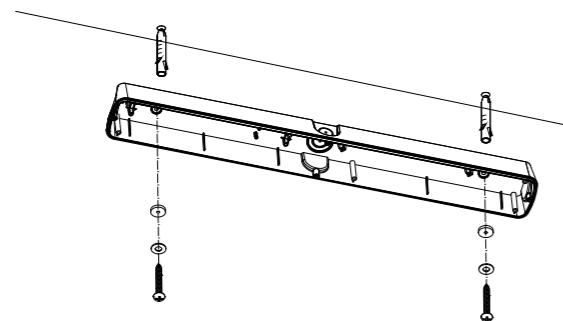
- Isolate the supply circuit as per the Australian standard and your SWMS.
- Use allen key to remove the diffuser the cover



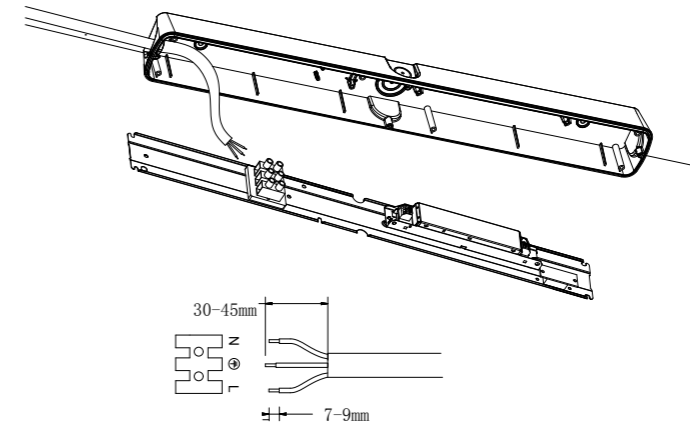
- Remove the LED gear tray



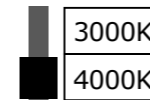
- Drill out the cable entry knock outs ready for the cable gland installation, secure the housing to the substrate.



- Connect the supply wires to the supplied terminal block. Ensure sure all connections and cabling complies to AS3000. **Note:** Ensure the correct wires go to the correct terminals as per below.



- Select the required colour temperature 3000K or 4000K, the dip switch located on the gear tray allows the change of colour temperature



- Tighten the screws securing the gear tray to a maximum of 4Nm
- Installation of the diffuser, lightly screw the supplied allen head screws into the 6 holes around the diffuser. Place diffuser to the body and tighten screws to a maximum of 4Nm.
- Ensure the IP rating of the installation is equal to that of the tested IP rating of the fitting. **Note:** the IP rating of the fitting is IP65.
- Test fitting as per the relevant Australian standard and as per your SWMS.