



Tennis Court Solution

TITANIA 2

LED FLOODLIGHT

With a stylish modern design and precise forward throw optics, the Titania 2 LED Floodlight has been exclusively designed for both residential and competition, single and multiple tennis court lighting. The unique cut off characteristics provide excellent uniform illumination across the playing field, low glare and less spill light to increase efficiency and reduce the impact on neighbouring properties.

PERFORMANCE SUMMARY

- Energy efficient modern LED floodlight
- Instant start up at full brightness, with no warm up required
- Optional back shield available for superior spill light control
- 550W is a suitable upgrade for HID applications up to 1000 Watts
- Long life of 54,000 hours provides low maintenance
- Unique weatherproofing with IP65 fixture and componentry
- Die-cast aluminum coated with a UV stabilized double powder coated finish
- High grade PMMA lens material designed for durability and efficacy
- High lumen efficacy with up to 158 lumens per watt
- Quality spigot mounting for ease of installation
- Optimal reliability with 7 year warranty
- Designed to achieve AS2560.2.1 - Lighting for outdoor tennis standards



* See GLG standard terms & conditions

TITANIA 2 (cont.)

SPECIFICATIONS

Electrical Characteristics:

- Input Voltage: 240V – 50Hz/60Hz
- Power Factor: 0.98
- System watts: 355W-588W
- Class I

Optical Characteristics:

- Asymmetric Distribution
- CCT: 5000K
- CRI: > 70
- Optical chamber sealed to IP65 protection against moisture ingress

Mechanical Characteristics:

- Body sealed to IP65
- Weight: 13.6kg (330W), 19.7kg (550W)
- 60mm spigot entry as standard
- Diecast aluminium & UV stabilised double powder coated finish, Black RAL9011

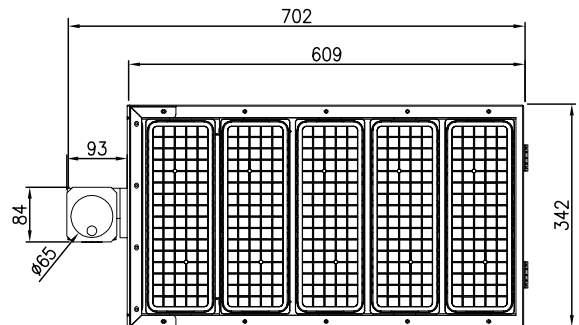
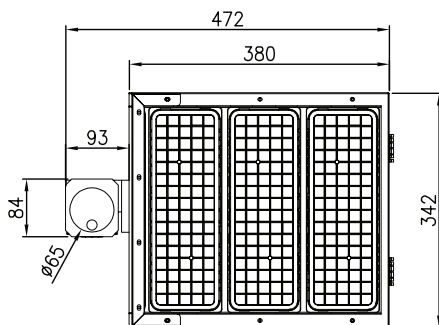
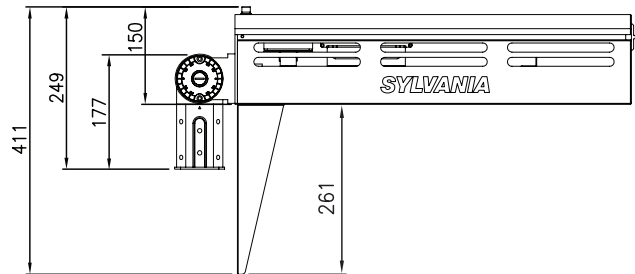
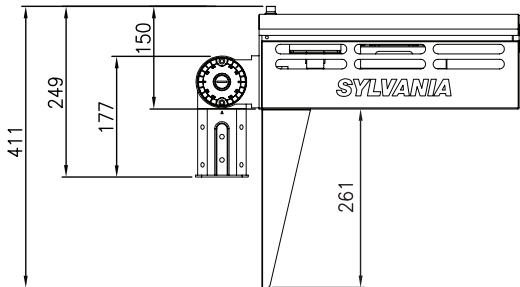
Performance Characteristics:

- Up to 158lm/W
- Average Rated Life - 54000hrs (L70)

Environmental & Standards:

- Ambient Operation Temps: to Ta 40°C
- EMC compliant: AS/NZS CISPR15, AS/NZS 60598.1

LINE DRAWINGS | LED ARRANGEMENTS



TITANIA 2 (cont.)

ORDER CODES

Product Code	Name	Dimensions (mm) L x W x H	Mass (kg)	Light Distribution	System Power (W)	Colour Temperature	Installation Type	Ambient Temperature	Ingress Protection	Impact Rating	Line current	Power Factor
STANDARD												
TITA33075-TE	TITANIA 2 LED FLOOD LIGHT 330W	380x342x150	13.6	Asymmetric	355	5000K	60mm Spigot	Ta40°C	IP65	IK09	1.5A	0.98
TITA55075-TE	TITANIA 2 LED FLOOD LIGHT 550W	609x342x150	19.7	Asymmetric	588	5000K	60mm Spigot	Ta40°C	IP65	IK09	2.49A	0.98

ACCESSORIES

TITASH-330/550

Back shield for 330 & 550W



Titania 2 330W with Back Shield



Titania 2 550W with Back Shield

The above codes are for standard offering only. For additional options or product configurations, please consult your Sylvania consultant.
* Supplied as standard

Where innovation comes to light