

**Effective
and versatile
illumination**

Sportsline Floodlight

HIGH PERFORMANCE

The Sylvania Sportsline floodlight delivers effective and versatile illumination in areas where energy efficiency is a must. The modular system with individual adjustment allows for accurate aiming, combined with high lumens per watt means fewer luminaires are required. A purpose-built sports floodlight that is compact yet high-performance.

The unique layout of the Sportsline, consisting of 600w modules making it suitable for retrofit solutions on existing HID installations.

With an impressive performance up to 130lms/w and several distribution options, the Sylvania Sportsline is an excellent choice for local sporting clubs, councils and end users.



PERFORMANCE SUMMARY

- Energy efficient, high performance LED floodlight
- High lumen efficacy up to 130lms/w
- High grade PC lens material designed for durability and efficacy
- Choice of symmetrical beam distributions
- Remote 240V control gear in either non dim or DALI options
- Die-cast aluminium body, UV stabilized powder coated for durability
- Complete with hood for optimal performance
- Fitted with heavy duty trunnion suitable for under and over slinging
- Optimal reliability with 5 year warranty

Where innovation comes to light



Sportsline Floodlight (cont.)

SPECIFICATIONS

Electrical Characteristics:

- Input voltage 240v – 50Hz/60Hz
- System Wattages: 1240W and 605W
- Power factor: 0.98
- Class III (Floodlight) Class I (Gear tray)
- Constant current driver
- Surge protection : 10kV

Optical Characteristics:

- Symmetrical distribution 15°, 30°, 60°, 90° and 120°
- CCT: 5700k
- CRI: 70
- High grade PC lens material designed for durability and efficacy

Mechanical Characteristics:

- Die-cast aluminium body, UV stabilized powder coated for durability
- Floodlight body sealed to IP66, control gear IP20
- Weight: 1240w = 32Kgs, 605W = 14.7Kgs
- Windage: 0.29m² (1240w)
- Fitted with heavy duty trunnion suitable for under and over slinging

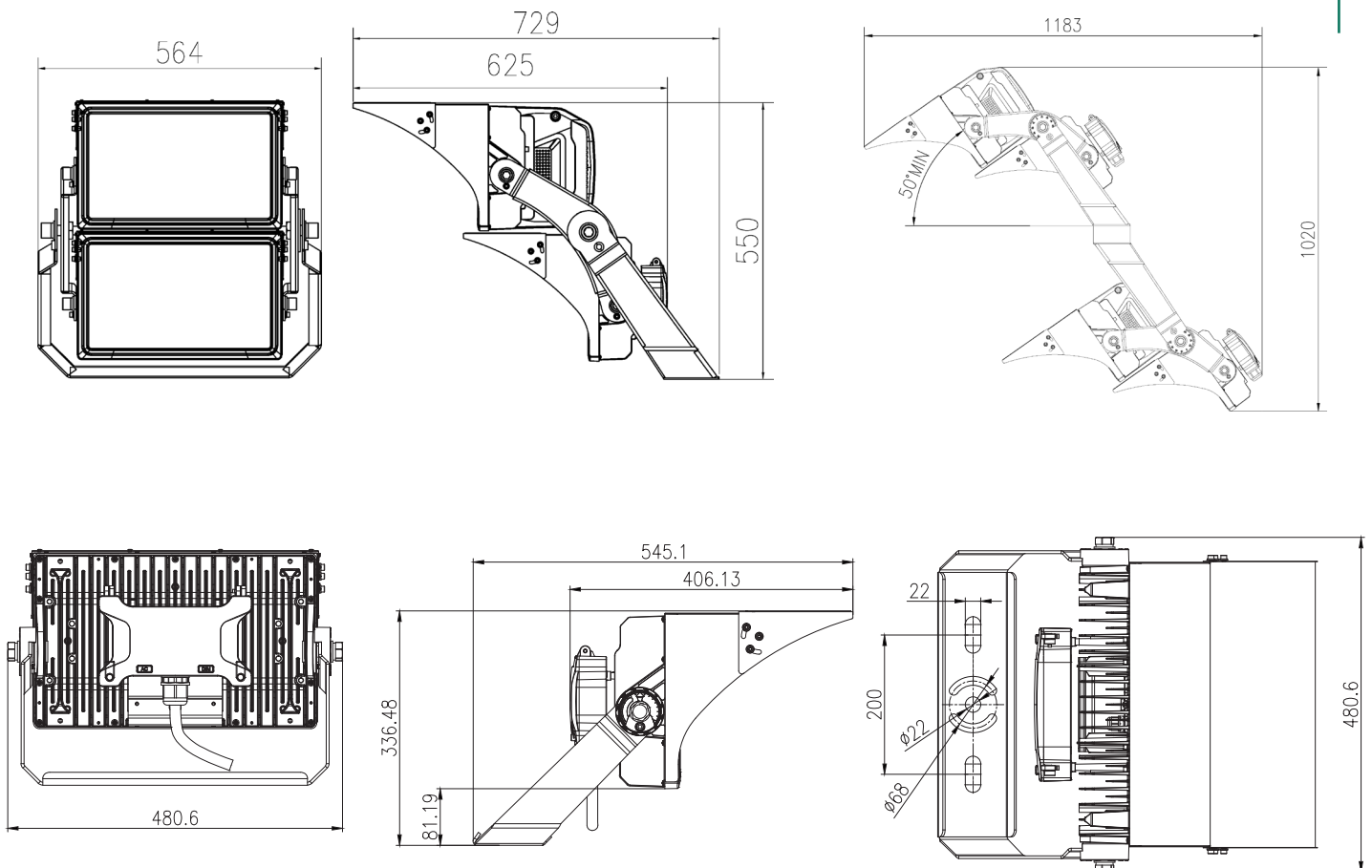
Performance Characteristics:

- High lumen efficacy up to 130lms/w
- Average rated life of 60,000hrs L70

Environmental & Standards:

- Ambient operational temps to: Ta 40°C
- Compliant to AS/NZS 60598.1:2017

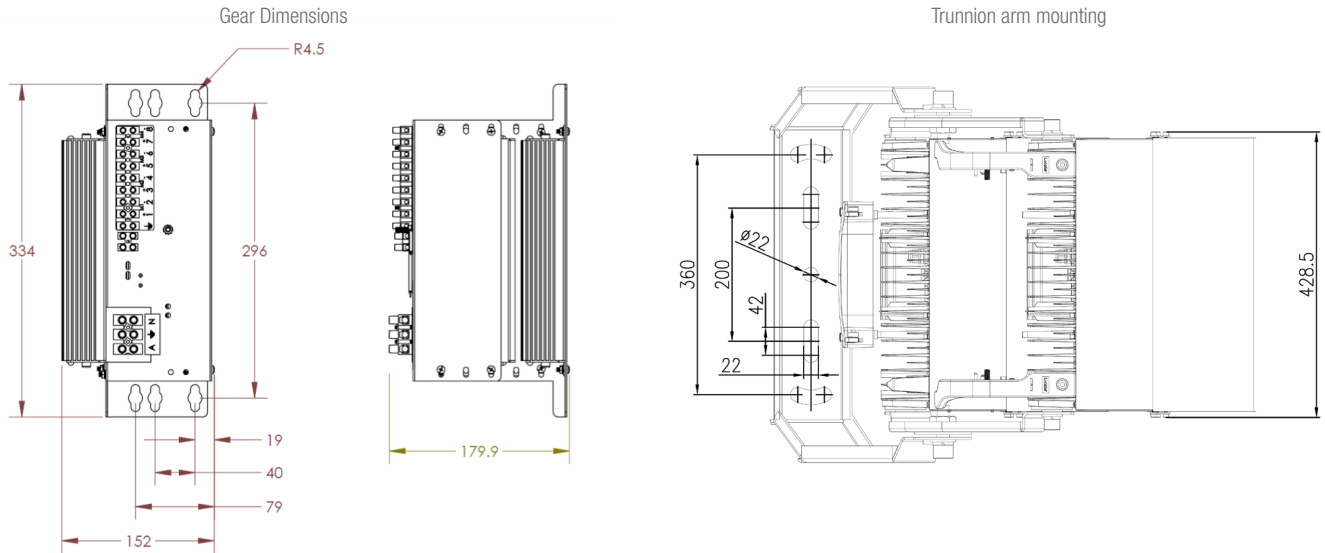
LINE DRAWINGS



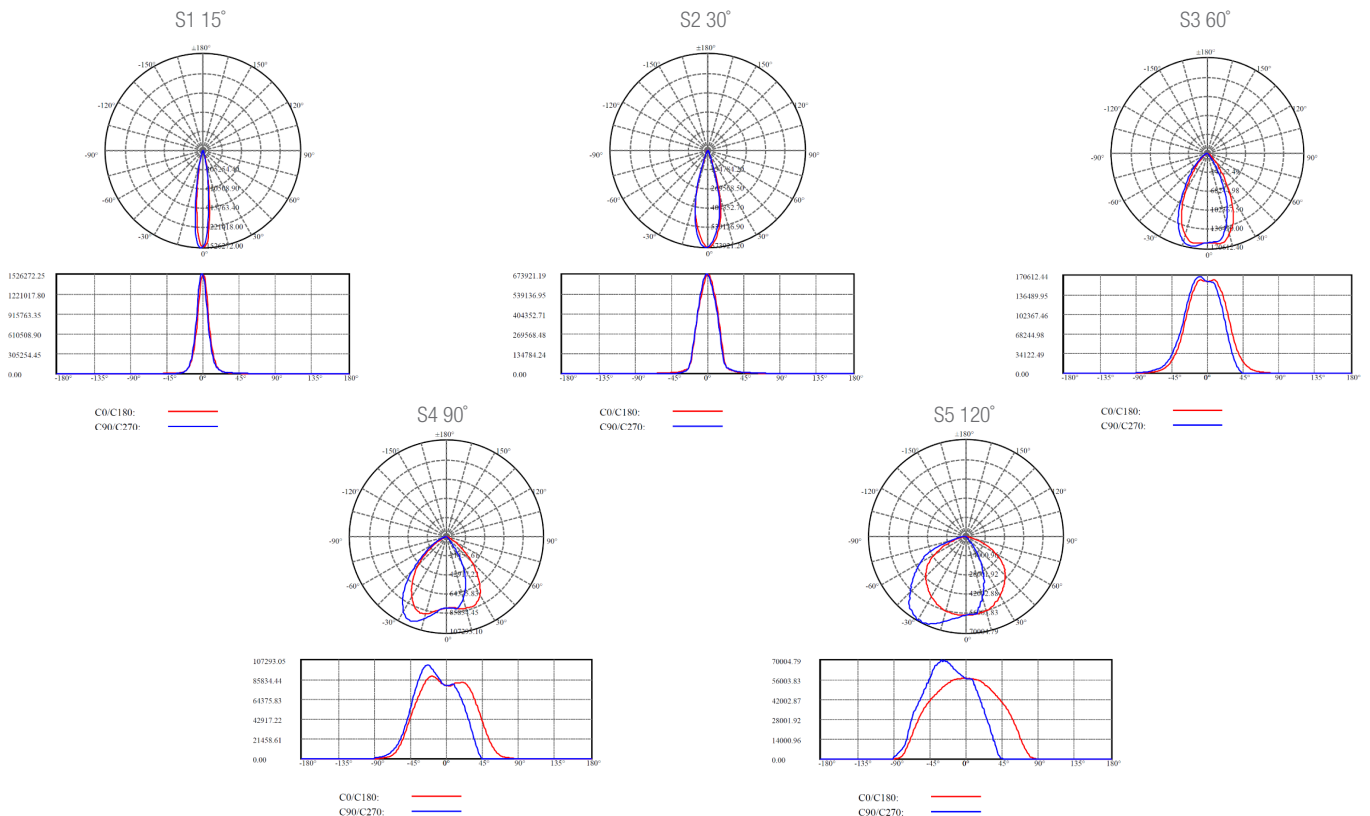


Sportsline Floodlight (cont.)

LINE DRAWINGS (cont.)



Photometric: 1240w System



Where innovation comes to light



Sportsline Floodlight (cont.)

ORDER CODES

Product Code	Name	Dimension (mm) LxWxH	Mass (kg)	Light Distribution	Voltage	System Power	Colour Temperature	CRI	Installation type	Ambient Temperature	Ingress Protection	Impact Rating	Line Current	Power Factor
Floodlight														
SS1H757S1	Sportsline 1 Module CRI70 5700k Sym 15°	545 x 480 x 340	14.7	Symmetric 15°	240V	605	5700K	70	Trunnion	Ta 40	IP66	IK06	2.57A	0.98
SS1H757S2	Sportsline 1 Module CRI70 5700k Sym 30°	546 x 480 x 340	14.7	Symmetric 30°	240V	605	5700K	70	Trunnion	Ta 40	IP66	IK06	2.57A	0.98
SS1H757S3	Sportsline 1 Module CRI70 5700k Sym 60°	547 x 480 x 340	14.7	Symmetric 60°	240V	605	5700K	70	Trunnion	Ta 40	IP66	IK06	2.57A	0.98
SS1H757S4	Sportsline 1 Module CRI70 5700k Sym 90°	548 x 480 x 340	14.7	Symmetric 90°	240V	605	5700K	70	Trunnion	Ta 40	IP66	IK06	2.57A	0.98
SS1H757S5	Sportsline 1 Module CRI70 5700k Sym 120°	549 x 480 x 340	14.7	Symmetric 120°	240V	605	5700K	70	Trunnion	Ta 40	IP66	IK06	2.57A	0.98
SS2H757S1	Sportsline 2 Module CRI70 5700k Sym 15°	704 x 544 x 530	32.0	Symmetric 15°	240V	1240W	5700K	70	Trunnion	Ta 40	IP66	IK08	5.2A	0.98
SS2H757S2	Sportsline 2 Module CRI70 5700k Sym 30°	704 x 544 x 530	32.0	Symmetric 30°	240V	1240W	5700K	70	Trunnion	Ta 40	IP66	IK08	5.2A	0.98
SS2H757S3	Sportsline 2 Module CRI70 5700k Sym 60°	704 x 544 x 530	32.0	Symmetric 60°	240V	1240W	5700K	70	Trunnion	Ta 40	IP66	IK08	5.2A	0.98
SS2H757S4	Sportsline 2 Module CRI70 5700k Sym 90°	704 x 544 x 530	32.0	Symmetric 90°	240V	1240W	5700K	70	Trunnion	Ta 40	IP66	IK08	5.2A	0.98
SS2H757S5	Sportsline 2 Module CRI70 5700k Sym 120°	704 x 544 x 530	32.0	Symmetric 120°	240V	1240W	5700K	70	Trunnion	Ta 40	IP66	IK08	5.2A	0.98

Product Code	Name	Dimension (mm) LxWxH	Mass (kg)	Surge Protection	Voltage	Ambient Temperature	Ingress Protection	Installation type
Control Gear								
SS1HESB	Sportsline 600w 240v Gear tray Non DIM	335 x 155 x 180	5.0	10kV	240V	Ta 40	IP20	Tray mount
SS1HASB	Sportsline 600w 240v Gear tray DALI	335 x 155 x 180	5.0	10kV	240V	Ta 40	IP20	Tray mount
SS2HESB01	Sportsline 1200w Gear tray Non Dim	335 x 155 x 180	9.0	10kV	240V	Ta 40	IP20	Tray mount
SS2HASB01	Sportsline 1200w Gear tray DALI	335 x 155 x 180	9.0	10kV	240V	Ta 40	IP20	Tray mount