



BRITELINE LED RAPTOR 2

THE BENCHMARK IN SPORTS FLOODLIGHTING

Bringing together performance, optical control and innovative design, the new Raptor 2 from Sylvania provides better spill control, less windage, and increased performance resulting in lower luminaire requirements.

PERFORMANCE SUMMARY

- Designed in Australia for Australian and New Zealand conditions
- High lumen efficacy over 125lms/w
- Precision reflector systems, designed to control spill light
- Asymmetric distribution, with three beam options
- Available in CCT 5700K CRI 70
- Remote driver assembly, 240V and 415v. 0-10V, DALI and new Hybrid Control Gear
- Die-cast aluminium body, UV stabilized powder coated for durability
- Colour: black heatsink with grey frame
- Optimal reliability with 5 year warranty



Where innovation comes to light



BRITELINE LED RAPTOR 2 (cont.)

SPECIFICATIONS

Electrical Characteristics:

- Input voltage 240V/415V – 50Hz/60Hz
- Power factor: 0.9
- System wattage: 4 module 1200W
- Dimming: 0-10V, DALI and 50% switch DIM for Hybrid Gear
- Class I rating
- Surge protection : 10kV

Mechanical Characteristics:

- Die-cast LM6 aluminium frame and heat sink, UV stabilized powder coated for durability
- Galvanised trunnion arm for under and over slinging
- Floodlight body sealed to IP66
- IP66 wiring junction box with 25mm gland
- All exposed cabling has bird proof conduit
- Supplied with bird spikes
- Weight: 28.3Kgs
- Windage: 0.17 (at tilt of 13°)

Optical Characteristics:

- Precision optical reflector system
- Asymmetrical distribution A1 Narrow, A2 Medium, A3 Wide
- CCT: 5700K, CRI 70
- LED: PCBA

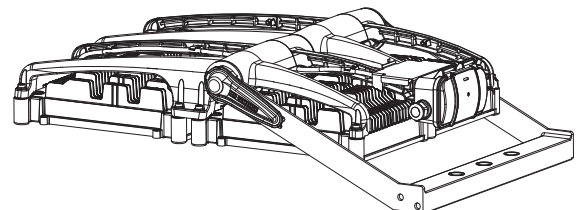
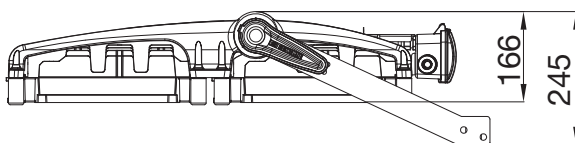
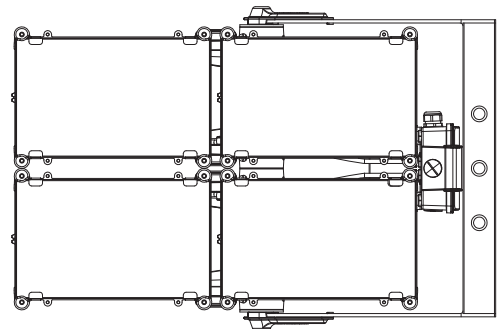
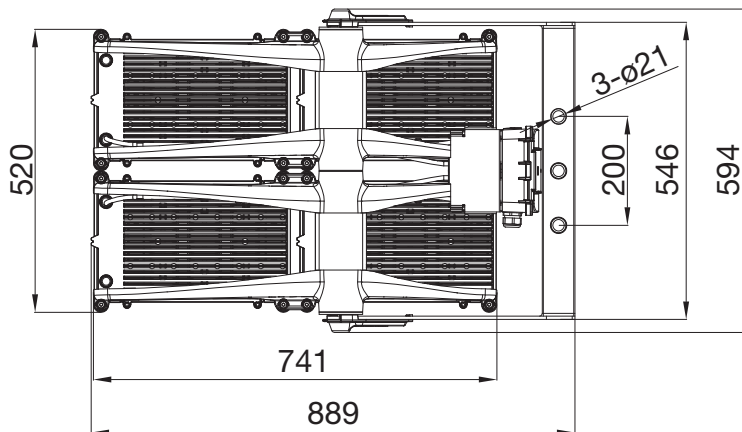
Performance Characteristics:

- High lumen efficacy over 125lms/w
- Average rated life of 50,000hrs to L90

Environmental & Standards:

- Ambient operational temps to: Ta 40°C
- Compliant to AS/NZS 60598.1:2017

LINE DRAWINGS





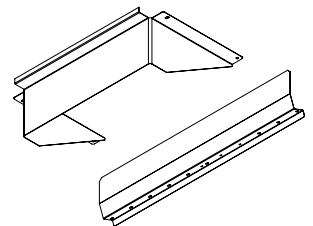
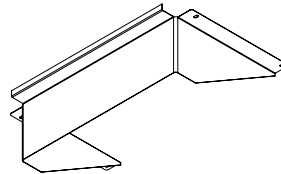
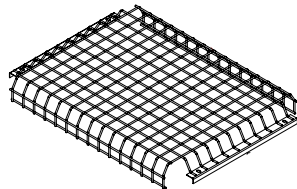
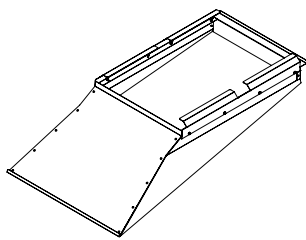
BRITELINE LED RAPTOR 2 (cont.)

ORDER CODES

Product Code	Name	Dimensions (mm) W x H x D	Mass (kg)	Beam Distribution	System Power (W)	Colour Temperature	CRI	Electrical Rating	Installation Type	Ambient Temperature	Ingress Protection	Impact Rating
Standard												
SR4H757A1LG2	RAPTOR 2 1200W A1 BEAM CRI70 CCT5700K NO GEAR	741 x 594 x 171	28.3	Asymmetric A1 Narrow	1200	5700	70	Class 1	Trunnion	Ta 40	IP66	IK06
SR4H757A2LG2	RAPTOR 2 1200W A2 BEAM CRI70 CCT5700K NO GEAR	741 x 594 x 171	28.3	Asymmetric A2 Medium	1200	5700	70	Class 1	Trunnion	Ta 40	IP66	IK06
SR4H757A3LG2	RAPTOR 2 1200W A3 BEAM CRI70 CCT5700K NO GEAR	741 x 594 x 171	28.3	Asymmetric A3 Wide	1200	5700	70	Class 1	Trunnion	Ta 40	IP66	IK06

The above codes are for standard offering only. For additional options or product variants, please consult your Sylvania consultant
 * Supplied as standard

ACCESSORIES



RAPTOR HOOD ACCESSORY	WIRE GUARD (QUANTITY 2)	BACK SHIELD	SIDE AND BACK SHIELD KIT
SR4HAPRONHOOD	SR4HWIREGUARD	SR4HBACKSHIELD	SR4HSIDESHIELD
L 1195 x W 670 x H 310mm	L 515 x W 365 x H 56mm	L 515 x W 315 x H 151mm	L 800 x W 315 x H 155mm
5kg	1kg	1.15kg	2.4kg



BRITELINE LED RAPTOR 2 (cont.)

CONTROL GEAR OPTIONS

Extreme hybrid control gear

- IP20 and IP65 models available
- 240V and 415V options
- Optional accessory offering 50% dimming
- 2C+E cable between driver and luminaire
- Maximum distance between gear and floodlight:
 - 1.5mm² cable = 500m
 - 2.5mm² cable = 850m
 - 4.0mm² cable = 1400m
 - 6.0mm² cable = 2100m
- High immunity to surges, low inrush /leakage current

Electronic control gear

- 4 x IP67 electronic drivers on IP20 gear tray, operating 4 LED modules.
- Available in 240V and 415V, 0-10V and DALI. 415V DALI (no Feedback)
- 10kV surge protection
- Two gear tray sizes, Short and Long. Allows for easier fitment into poles
- 8 Core + Earth cable between gear tray and floodlight
- Maximum distance between gear and floodlight:
 - 1. 5mm² cable = 45m
 - 2. 5mm² cable = 90m

Quick Control Gear Cross Reference

Voltage (V)	Dimming	GearTray Long Left	GearTray Long Right	GearTray Short
240 (ELECTRONIC CONTROL GEAR)*	0-10V	SR4HELA01T	SR4HELB01T	SR4HESA01T
	DALI	SR4HALA01T	SR4HALB01T	SR4HASA01T
240 (HYBRID CONTROL GEAR)	Optional Switch Dimming Signal: OFF=100% ON=50%	SR4HERWP01T (IP65)		
		SR4HERGT01T (IP20)		
415 (ELECTRONIC CONTROL GEAR)*	0-10V	SR4HFLA01T	SR4HFLB01T	SR4HFA01T
	DALI (no feedback)	SR4HGLA01T	SR4HGLB01T	SR4HGSA01T
415 (HYBRID CONTROL GEAR)	Optional Switch Dimming Signal: OFF=100% ON=50%	SR4HFRWP01T (IP65)		
		SR4HFRGT01T (IP20)		

HYBRID CONTROL GEAR TECHNICAL DETAILS

Hybrid Control BENEFITS

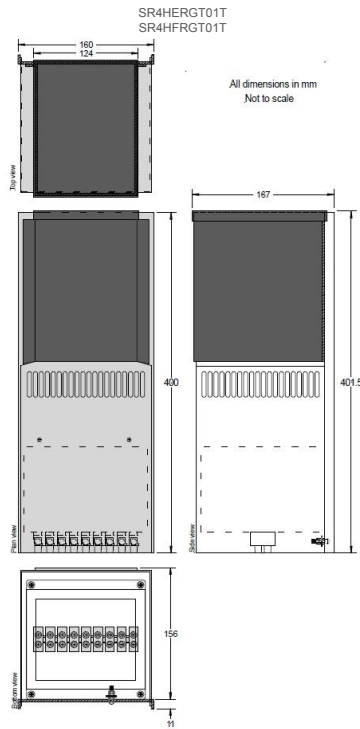
- IP20 and IP65 models available in both 240V and 415V
- Optional accessory available which offers 50% dimming for training mode
- Requires a two core cable between the driver and luminaire, providing an ideal solution for HID Floodlight retrofits. Installation of earthing is required as per Australian Standards
- The Extreme LED Hybrid control gear has been designed to match the footprint of the existing HID control gear
- For new installations, the distance between the control gear and the floodlight has been greatly improved. This offers benefits for both installation and maintenance
- Proven to offer protection in extreme environments with up to 60°C ambient temperature, offering high immunity to surges and low inrush/leakage current



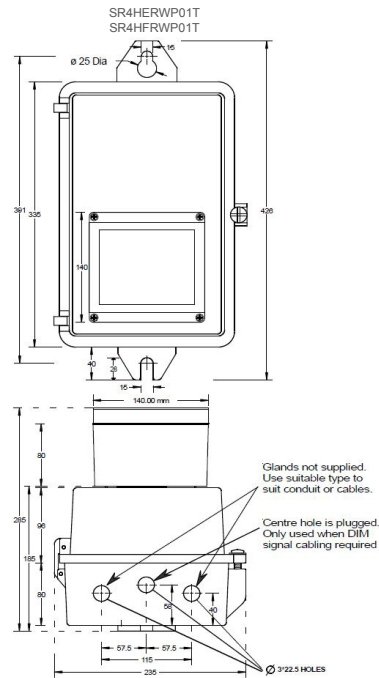
BRITELINE LED RAPTOR 2 (cont.)

HYBRID CONTROL GEAR TECHNICAL DETAILS (cont.)

IP20 Control Gear Dimensions



IP65 Control Gear Dimensions



Product Code	Description	Optional Control	IP Rating	Voltage (V)	Dimensions (mm)
SR4HERWP01T	W/P BOX CONTROL GEAR RAPTOR 2 WIRE 240V 10KV SURGE IMMUNITY	SWITCH DIMMING	IP65	240	L 426 x W 235 x H 285
SR4HERGT01T	G/TRAY CONTROL GEAR RAPTOR 2 WIRE 240V 10KV SURGE IMMUNITY	SWITCH DIMMING	IP20	240	L 400 x W 160 x H 167
SR4HFRWP01T	W/P BOX CONTROL GEAR RAPTOR 2 WIRE 415V 10KV SURGE IMMUNITY	SWITCH DIMMING	IP65	415	L 426 x W 235 x H 285
SR4HFRGT01T	G/TRAY CONTROL GEAR RAPTOR 2 WIRE 415V 10KV SURGE IMMUNITY	SWITCH DIMMING	IP20	415	L 400 x W 160 x H 167

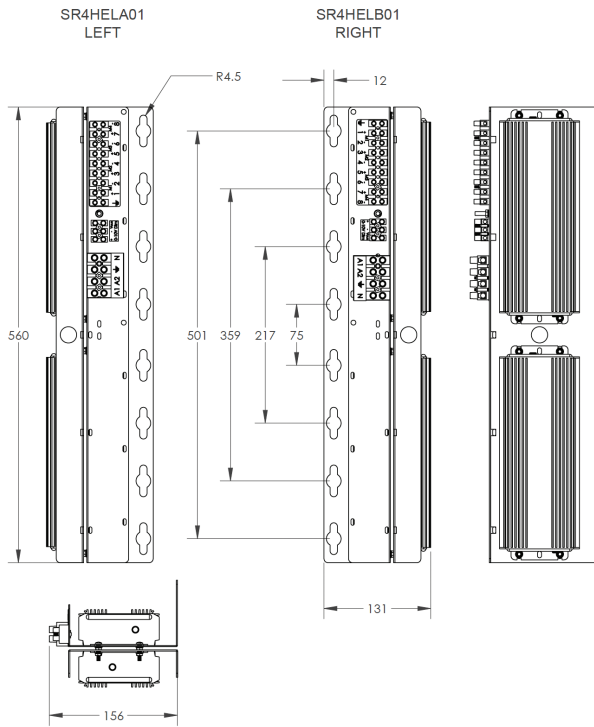
Product Code	Accessory Description	Voltage (V)
SDIM-400-A1	Switch Dim Interface 380-430V	415
SDIM-230-A1	Switch Dim Interface 220-250V	240
PSU-003-A1	220-430VAC/12 DC Dim Signal PSU	240/415



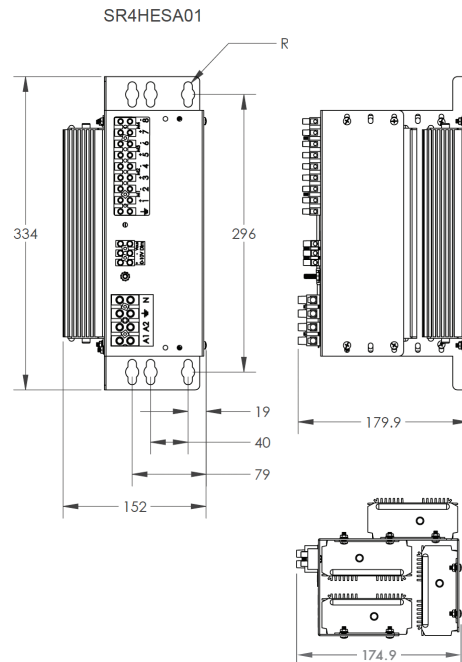
BRITELINE LED RAPTOR 2 (cont.)

ELECTRONIC CONTROL GEAR TECHNICAL DETAILS

LA/LB Control Gear Dimensions



SA Control Gear Dimensions



Product Code	Description	Control	Voltage (V)	Dimensions (mm)
SR4HELA01T	Tray Long Left, SPD 10kV	0-10V DIM	240	L 560 x W 131 x H 156
SR4HALA01T	Tray Long Left, SPD 10kV	DALI DIM	240	L 560 x W 131 x H 156
SR4HFLA01T	Tray Long Left, SPD 10kV	0-10V DIM	415	L 560 x W 131 x H 156
SR4HGLA01T	Tray Long Left, SPD 10kV	DALI DIM, No Feedback	415	L 560 x W 131 x H 156
SR4HELB01T	Tray Long Right, SPD 10kV	0-10V DIM	240	L 560 x W 131 x H 156
SR4HALB01T	Tray Long Right, SPD 10kV	DALI DIM	240	L 560 x W 131 x H 156
SR4HFLB01T	Tray Long Right, SPD 10kV	0-10V DIM	415	L 560 x W 131 x H 156
SR4HGLB01T	Tray Long Right, SPD 10kV	DALI DIM, No Feedback	415	L 560 x W 131 x H 156
SR4HESA01T	Tray Short, SPD 10kV	0-10V DIM	240	L 334 x W 152 x H 180
SR4HASA01T	Tray Short, SPD 10kV	DALI DIM	240	L 334 x W 152 x H 180
SR4HFSA01T	Tray Short, SPD 10kV	0-10V DIM	415	L 334 x W 152 x H 180
SR4HGSA01T	Tray Short, SPD 10kV	DALI DIM, No Feedback	415	L 334 x W 152 x H 180