

## INSTALLATION / WARRANTY INSTRUCTIONS

**PRODUCT BRAND** - PIERLITE  
**PRODUCT NAME / CODES** - BWP LED PRO 2 Weatherproof Batten

**PLEASE READ THESE INSTALLATION INSTRUCTIONS CAREFULLY BEFORE INSTALLING OR MAINTAINING THIS EQUIPMENT. THE PRODUCT IS DESIGNED FOR INSTALLATION AND MAINTENANCE IN ACCORDANCE WITH RELEVANT AUSTRALIAN STANDARDS (AS3000) AND LOCAL REGULATIONS (WHERE APPLICABLE), BY AN AUTHORISED AND LICENCED ELECTRICIAN.** THE INSTALLATION INSTRUCTIONS WERE CORRECT AT THE TIME OF PRINT. TO REFLECT CHANGES IN TECHNOLOGY AND AUSTRALIAN STANDARDS; GERARD LIGHTING RESERVES THE RIGHT TO AMEND THE INSTRUCTIONS WITHOUT NOTICE. UPDATED GUIDELINES CAN BE FOUND ON THE RELEVANT BRAND WEB SITE. **IMPORTANT** - THE PRODUCT MUST BE MAINTAINED AND OPERATED IN ACCORDANCE WITH THE MANUFACTURER'S INSTRUCTIONS, FAILURE TO DO SO MAY DAMAGE THE PRODUCT AND SERVICES. IT IS STRONGLY RECOMMENDED THAT THIS IMPORTANT NOTE BE COMMUNICATED TO THE OWNER AND OR OPERATOR OF THE INSTALLATION AT THE TIME OF SITE COMMISSIONING. GOOD PRACTICE DOES NOT RECOMMEND THE 24/7 USE OF PRODUCTS WITHOUT THE APPLICATION OF SUITABLE SWITCH CYCLE INTERVALS. FURTHERMORE, WITH THE OMISSION OF NOMINATED SURVIVAL CURVES AND OR RECOMMENDED OPERATING HOURS, PRODUCT DESIGN EXPECTATIONS PROVIDE FOR A CONTINUAL DAILY USAGE OF 6 HOURS FOR RESIDENTIAL APPLICATIONS AND A CONTINUAL DAILY USAGE OF 12 HOURS FOR COMMERCIAL AND INDUSTRIAL APPLICATIONS. ALL PRODUCTS MUST BE THOROUGHLY CLEANED ON A REGULAR BASIS AT INTERVALS THAT REFLECT IN THE INSTALLATION ENVIRONMENT, ENSURING THE OPTICAL PERFORMANCE, TOGETHER WITH THE ELECTRICAL, MECHANICAL AND STRUCTURAL INTEGRITY AS DESIGNED, IS MAINTAINED THROUGHOUT THE SERVICE LIFE OF THE PRODUCT.



For the latest product online reference data, simply install and activate a QR code scanner application on your smartphone. For more information refer brand web.



### 1. PRODUCT SPECIFICATION:

Product brand	- Pierlite
Type of Protection	- Class I
IP Rating - for interior products, the IP rating nominated is "from below the ceiling" unless specifically nominated.	- IP 65
Nominal design Voltage	- 240V
Luminaire Specification:	
Important – when installing electronic or HID lighting equipment, the installer must consider the in-rush start current (if any) as documented on the control gear identification label when selecting appropriate circuit controls or protective devices.	
Power factor	- 0.9
Nominal Freq. (Hz)	- 50 Hz
Rated Maximum Ambient Temperature	- 40°C
Suitable for direct mounting on flammable surfaces	- NO
Dimmable (if relevant refer brand web for approved list)	- NO
Installation orientation	- Ceiling Mount
Designed application	- Exterior
Rated average design life	- 72,000 hours (to L70)

**2. APPROVALS:** The RCM marking of this product applies to AS/NZS CISPR15 (EMC) "Limits and methods of measurement of radio disturbance characteristics of electrical lighting and similar equipment". This product is designed to conform to AS/NZS60598 "Luminaires, general requirements and tests".



**3. STORAGE:** Prior to installation products are to be stored in cool and dry conditions.

**4. APPLICATION:** The installation application and orientation of the product is designed in accordance with the nominated product IP rating, class designation and these installation instructions. Installation environments and operating conditions beyond these instructions are not recommended.

**5. INSTALLATION / GENERAL:** Installation of the product is to be completed by an authorized and licensed electrician, in accordance with these instructions, relevant Australia standards and local regulations (where applicable). Termination of product wiring, together with the installation of the product must be in a manner and orientation that maintains the integrity of the designated IP rating of the product For electronic control equipment (when supplied) DO NOT MEGGER between A and N.

**6. INSTALLATION / SPECIAL CONDITIONS** (relevant only for products approved for such an installation):

**(a) products installed in high wind environments** must have suitable installation / fastening methods applied to ensure the product's mounting points are not damaged through, corrosion, constant vibration and or movement. Exterior products are designed with precise vertical aiming limits, which should not be exceeded. Any vertical floodlight aiming requirements should be specifically validated in writing with the relevant brand before consideration.

**(b) products installed in corrosive or salt laden environments** require special consideration and such; specific product selection, inclusive of suitable fastening methods and extensive ongoing maintenance of products installed in these environments require professional advice. It is essential that all aspects of the product selection, material specification and maintenance are specifically designed for such use and a cleaning program be adopted that maintains the design integrity of the product.

**(c) interior highbay products** must be vertically suspended. The method of suspension (chain etc) must be able to support at least 5 times the total weight of the fitting. Do not install where air movement will cause the fitting to swing about, causing wear and tear of attachment points. Luminaires should be installed where access for maintenance is practical and allows for maintenance to be completed in accordance with the manufacturer's recommendations.

**(d) interior (downlight) products** must be installed to ensure the lamp unit or the driver (if supplied) are not covered with any combustible materials or insulation; minimum spacings nominated for these materials are mandatory. Unless otherwise specified, minimum clearances are in accordance with AS3000 requirements. The product is not designed for installation environments which restrict conventional airflow movements eg: enclosed boxes or concrete profiles. For dimming purposes please see the relevant product brand web site for the dimming compatibility chart. When mounting multiple fixtures to conductive structures, it is recommended that the structure is earthed. The mounting facilities provided for the transformer/driver (if any), need only be utilized if in the application of the product is required by AS3000. IP ratings stated (if any) are from below the ceiling unless stated otherwise and the installation of the product must be in a manner that maintains the integrity of the relevant IP rating.

## 7. MAINTENANCE:

**(a)** The supply must be isolated before opening or accessing the luminaire. Product maintenance is IMPORTANT and is critical to the products designed performance. The product is to be maintained in accordance with the manufacturer's instructions. For the latest product maintenance guides please go to relevant brand web site. Gerard Lighting is not responsible for any product not maintained in accordance with the recommended procedure or intervals. **(b) lamps (where provided):** The product is designed with the supplied (LEDs) / LAMP/s and it is strongly recommended that any LAMP / (LEDs) changes (if any) be made in accordance with the type, colour and brand supplied. For recommended LAMP / LED maintenance or operating guides (inclusive of recommended product switch cycles and mandatory run-in procedures for HID and Fluorescent lamps when used with dimming circuits), Gerard Lighting recommends the application of the lamp manufacturer's operating guidelines, which can be found on manufacturer's website. Gerard Lighting is not responsible for the product performance of alternative lamp/s used. As a member of FluroCycle, we encourage recycling of lamps and components. **(c) battery (where provided):** The battery is designed with a rated average battery design life of 50,000 hours in standby mode. The battery is supported with a standard 4 year warranty; conditional of the product being maintained and operated in accordance with the manufacturer's guidelines and tested in accordance with AS/NZS2293. For guidelines see product installation instructions or visit the relevant brand web site. **(d) for products supplied with glass visors or covers,** do not operate the product with a damaged visor or cover; it is recommended the product be turned off, area surrounding the product vacated and the damaged glass replaced by a professional installer immediately.

**8. WARRANTY INSTRUCTIONS:** For the purpose of warranty claims (if any) the following instructions apply:

**Warranty components** – THE PRODUCT, (identified as the THE PRODUCT only). **Warranty period** - The above products are provided with a warranty of Seven(7) year/s or 25,000 hours of operation (which ever arrives first) against manufacturing defects or failure to perform to specifications for products installed by an authorised installer in accordance with the manufacturer's installation instructions and which have not been subject to incorrect operation or maintenance, unauthorised modification or damage arising from any intervening cause. **Warranty reference** - The warranty reference date commences from the date of purchase. **Warranty point of contact** – Gerard Lighting Pty Ltd, 96 Gow Street Padstow NSW 2211, phone T 02 9794 9300 contact – Gerard Lighting After Sales Support.

**Warranty claim procedure** – For the purpose of making a claim the customer must:

1. Contact the "point of contact" above and upon provision of proof of purchase the customer will receive a goods return advice (GRA) number.
2. At the customer's expense, collect and return the goods to the "point of contact" with the issued GRA number.
3. Upon receipt of the goods, Gerard Lighting will review the claim and if found to be accepted, Gerard Lighting will return a replacement product to the customer to install at the customer's expense. Alternatively if the claim is rejected, the customer may request the return of the goods at their expense.

**Consumer Contracts** - The benefits to the customer given by the Gerard Lighting warranty are in addition to other rights and remedies of the customer if the goods are the subject of a Consumer Contract under the Australian Consumer Law. In that event the following statement is required to be brought to the Consumer's attention: - *Our goods come with guarantees that cannot be excluded under the Australian Consumer Law. You are entitled to a replacement or refund for a major failure and for compensation for any other reasonably foreseeable loss or damage. You are also entitled to have the goods repaired or replaced if the goods fail to be of acceptable quality and the failure does not amount to a major failure.* **Limitation of Liability** – if the goods are not purchased by the customer under a Consumer Contract within the Australian Consumer Law then but not otherwise;- (a) the Company is not liable in tort for any loss or damage suffered by the customer or by any third party; and (b) in no circumstances is Gerard Lighting liable to the customer or to any third party for any loss of profits, loss of anticipated savings, economic loss or interruption of business or for any indirect or consequential loss (Consequential Loss). **Terms of Sale** – these Warranty provisions are in substitution for any inconsistent provisions in the Gerard Lighting Terms and Conditions of Sale in so far as they apply to the Warranty components.

**Product Specification & DIP Switch Settings**  
 (1200mm/600mm/DALI/NON-DALI/Sensor in 4000k)

Luminaire Option	Product Code	Description	Wattage	Drive Current (mA)	Lumens Output	DIP Switch-Driver Settings	Line Current (A)
1 Product with 3 options	BWP584E4	BWP LED PRO 2 BATTEN 1200MM 58W/35W/25W 4000K IP65	58W	1400mA	7199lm		0.25A
	BWP354E4		35W	900mA	4768lm		0.16A
	BWP254E4		25W	650mA	3521lm		0.12A
1 Product with 3 options	BWP584D4	BWP LED PRO2 BATTEN 1200MM DALI 58W/35W/25W 4000K IP65	58W	1400mA	7169lm		0.25A
	BWP354D4		35W	900mA	4508lm		0.16A
	BWP254D4		25W	650mA	3278lm		0.12A
1 Product with 3 options	BWP584D4M	BWP LED PRO2 BATTEN 1200MM DALI DIM SENSOR 58/35/25W 4K IP65	58W	1400mA	7172lm		0.25A
	BWP354D4M		35W	900mA	4508lm		0.16A
	BWP254D4M		25W	650mA	3278lm		0.12A
1 Product with 3 options	BWP584D4/S4	BWP LED PRO2 BATTEN 1200MM DALI EMERGENC 58W/35W/25W 4K IP65	58W	1400mA	7169lm		0.25A
	BWP354D4/S4		35W	900mA	4508lm		0.16A
	BWP254D4/S4		25W	650mA	3278lm		0.12A
1 Product with 3 options	BWP352E4	BWP LED PRO2 BATTEN 600MM 35W/25W/10W 4000K IP65	35W	1400mA	4560lm		0.17
	BWP252E4		25W	900mA	3042lm		0.12
	BWP102E4		10W	350mA	1275lm		0.16
1 Product with 3 options	BWP352D4	BWP LED PRO2 BATTEN 600MM DALI 35W/35W/10W 4000K IP65	35W	1400mA	4522lm		0.17
	BWP252D4		25W	900mA	3117lm		0.12
	BWP102D4		10W	350mA	1311lm		0.16
1 Product with 3 options	BWP352D4/S4	BWP LED PRO2 BATTEN 600MM DALI EMERG 35W/25W/10W 4000K IP65	35W	1400mA	4522lm		0.17
	BWP252D4/S4		25W	900mA	3117lm		0.12
	BWP102D4/S4		10W	350mA	1311lm		0.16

## Product Specification & DIP Switch Settings

(1200mm/600mm/DALI/NON-DALI/Sensor in 6500k)

Luminaire Option	Product Code	Description	Wattage	Drive Current (mA)	Lumens Output	DIP Switch-Driver Settings	Line Current (A)
1 SKU with 3 options	BWP584E6	BWP LED PRO 2	58W	1400mA	7199lm		0.25A
	BWP354E6	BATTEN 1200MM 58W/35W/25W 6500K IP65	35W	900mA	4768lm		0.16A
	BWP254E6		25W	650mA	3521lm		0.12A
1 SKU with 3 options	BWP584D6	BWP LED PRO2	58W	1400mA	7169lm		0.25A
	BWP354D6	BATTEN 1200MM DALI 58W/35W/25W	35W	900mA	4508lm		0.16A
	BWP254D6	6500K IP65	25W	650mA	3278lm		0.12A
1 SKU with 3 options	BWP584D6M	BWP LED PRO2	58W	1400mA	7172lm		0.25A
	BWP354D6M	BATTEN 1200MM DALI DIM SENSOR 58/35/25W	35W	900mA	4508lm		0.16A
	BWP254D6M	6500K IP65	25W	650mA	3278lm		0.12A
1 SKU with 3 options	BWP584D6/S4	BWP LED PRO2	58W	1400mA	7169lm		0.25A
	BWP354D6/S4	BATTEN 1200MM DALI EMERGENC 58W/35W/25W	35W	900mA	4508lm		0.16A
	BWP254D6/S4	6500K IP65	25W	650mA	3278lm		0.12A
1 SKU with 3 options	BWP352E6	BWP LED PRO2	35W	1400mA	4560lm		0.17
	BWP252E6	BATTEN 600MM 35W/35W/10W 6500K IP65	25W	900mA	3042lm		0.12
	BWP102E6		10W	350mA	1275lm		0.16
1 SKU with 3 options	BWP352D6	BWP LED PRO2	35W	1400mA	4522lm		0.17
	BWP252D6	BATTEN 600MM DALI 35W/35W/10W	25W	900mA	3117lm		0.12
	BWP102D6	6500K IP65	10W	350mA	1311lm		0.16
1 SKU with 3 options	BWP352D6/S4	BWP LED PRO2	35W	1400mA	4522lm		0.17
	BWP252D6/S4	BATTEN 600MM DALI EMERG 35W/25W/10W	25W	900mA	3117lm		0.12
	BWP102D6/S4	6500K IP65	10W	350mA	1311lm		0.16

**Service & Operation**  
**BWP LED PRO2 – Emergency Codes only**

Normal Operation: Maintained Emergency Operation.

Battery: Sealed Lithium Iron Phosphate (LiFePO4) rechargeable battery pack. As per AS/NZS 2293, it is required that the battery pack is discharged and recharged at least once every 6 months.

In case of a replacement, same brand and type of battery pack must be used. Allow 24 hours charging time before carrying out any discharge tests.

Charge Duration: 16 Hours  
 Discharge Duration: 2 Hours (Initial test)

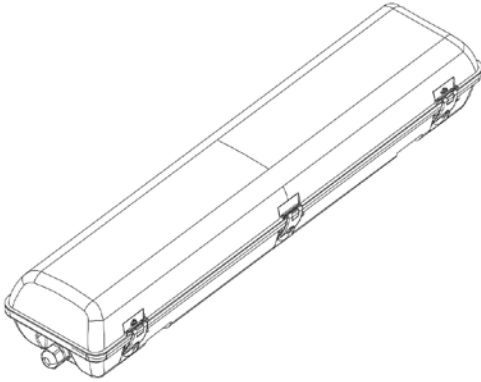
Test Switch: If manual test switch pressed, the fixture will operate from its battery supply. Please ensure battery plug is connected to the inverter battery terminal.

**Inrush Current & Breaker Recommendation Table**

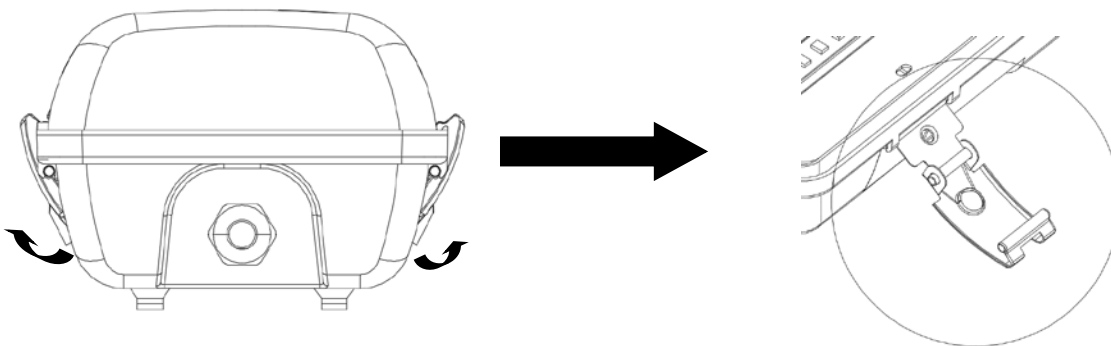
<b>BWP LED PRO2 (All Codes)</b>	
Specification Item	Value
Inrush Current Ipeak	10A
Duration T50 @ 50% Ipeak	200uS
<b>Miniature Circuit Breaker</b>	<b>QTY</b>
Drivers per MCB 10A Type B	18
Drivers per MCB 16A Type B	29
Drivers per MCB 20A Type B	37
Drivers per MCB 25A Type B	46
Drivers per MCB 10A Type C	21
Drivers per MCB 16A Type C	34
Drivers per MCB 20A Type C	43
Drivers per MCB 25A Type C	54
Drivers per MCB 10A Type D	24
Drivers per MCB 16A Type D	39
Drivers per MCB 20A Type D	49
Drivers per MCB 25A Type D	62

## Installation

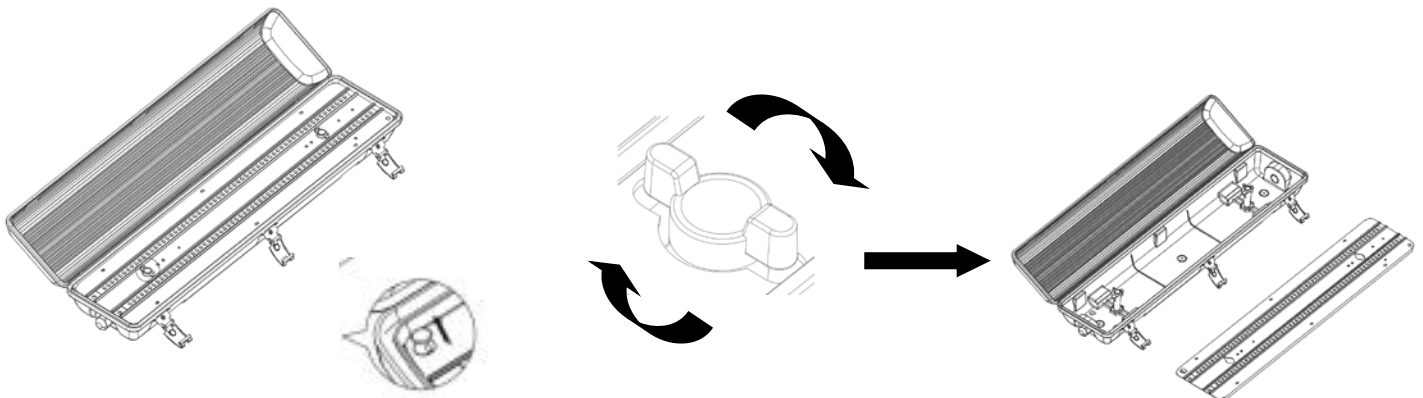
Step 1: Take the Weatherproof Batten and Accessories out from the packaging.



Step 2: Open the Clips

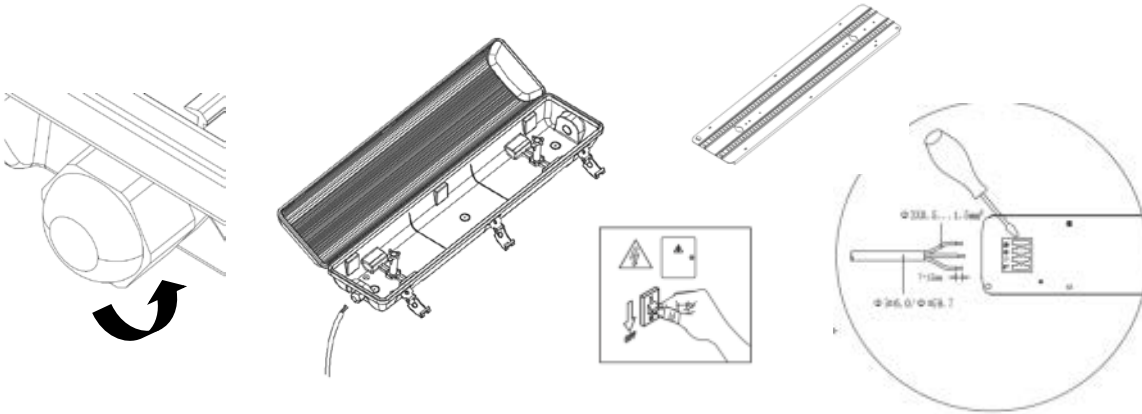


Step 3: Take the gear tray out.

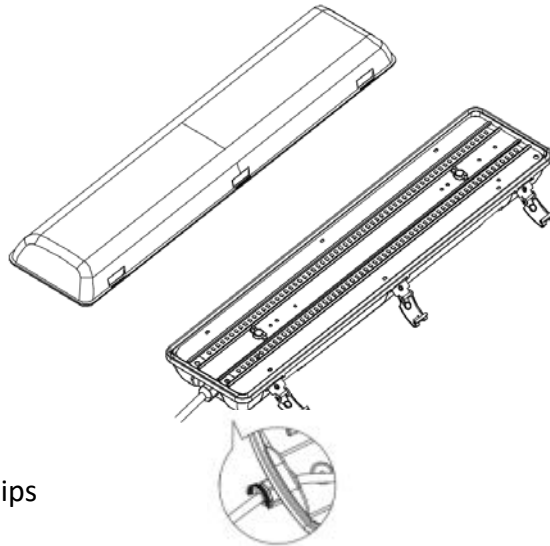




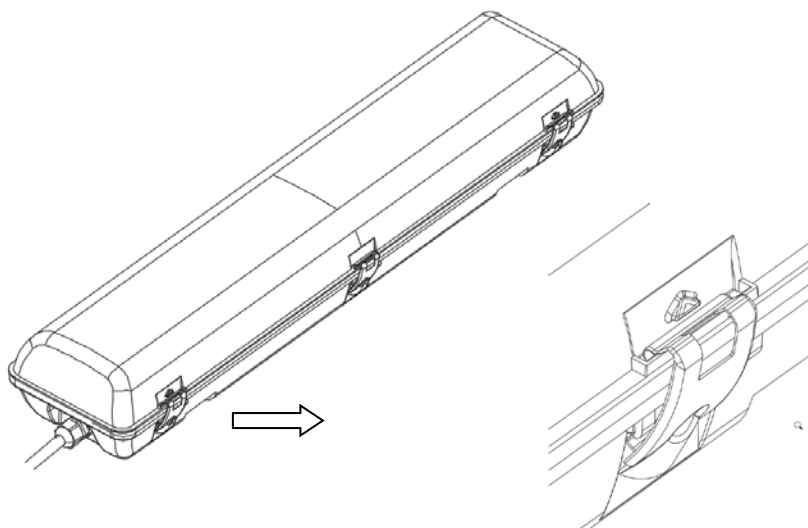
Step 4: Take the cable gland out and connect the AC cable.



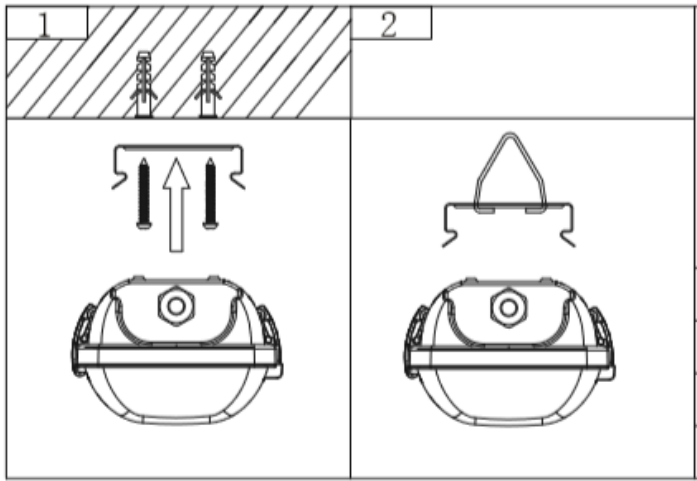
Step 5: Tighten the cable gland



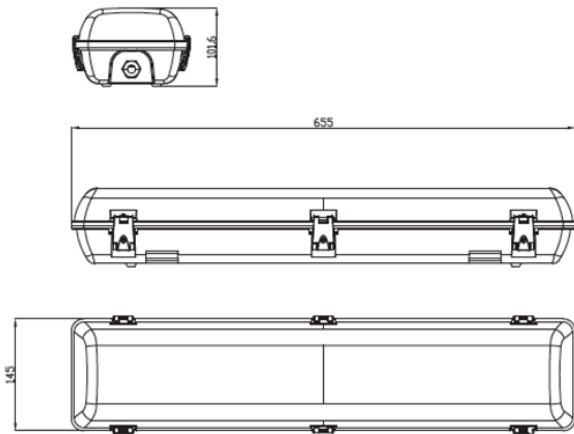
Step 6: Fasten the clips



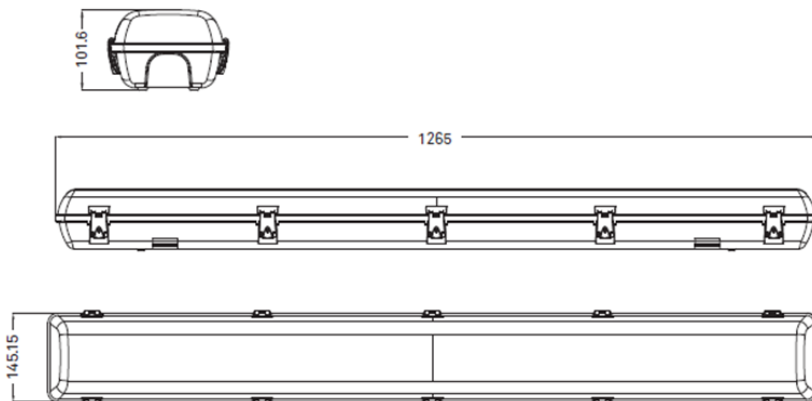
Step 7: Install the batten on the ceiling.



### Line Drawing (2ft)



### Line Drawing (4ft)





## Independent DALI sensor with Photocell Advance™

Pierlite Codes: BWP584D4M; BWP584D6M

### Applications

Occupancy detector with daylight harvest suitable for building into the fixture:

- Office / Commercial Lighting
- Classroom

Use for new luminaire designs and installations

### Features



Daylight harvest function to regulate light output for maintaining required lux level



Special photocell to measure and differentiate natural light from LED light from behind the fixture cover



Tri-level dimming control based upon occupancy (also known as corridor function)



Synchronised dimming with multiple sensor circuits



One-key commissioning via programmable remote control



DALI dimming control method (DALI power supply circuit included)

### Technical Data

#### Input Characteristics

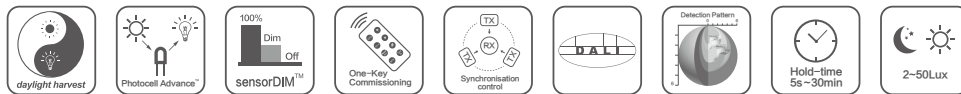
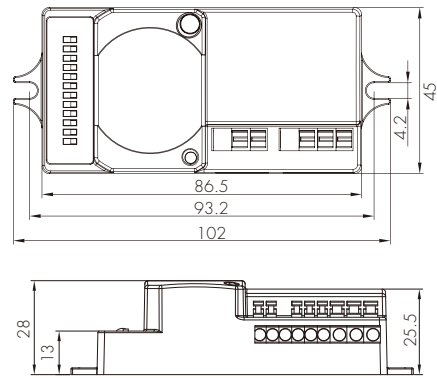
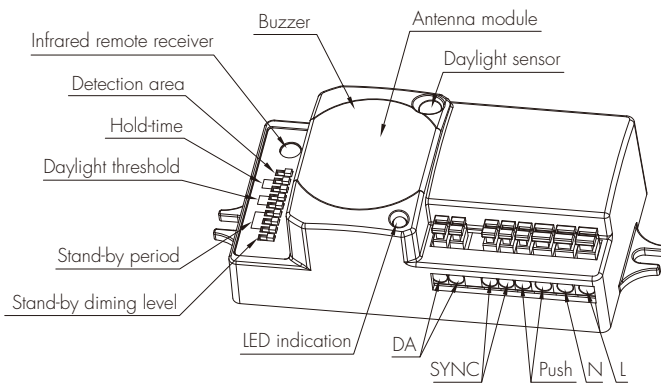
Model No.	HCD418/DH
Mains voltage	120~277VAC 50/60Hz
Stand-by power	<1W
Switched power	Max. 20 devices, 40mA
Warming-up	20s

#### Sensor Data

Model No.	HCD418/DH
Sensor principle	High Frequency (microwave)
Operation frequency	5.8GHz +/- 75MHz
Transmission power	<0.2mW
Detection range	Max. (Ø x H) 12m x 6m
Detection angle	30° ~ 150°
Setting adjustments:	
Sensitivity	50% / 100%
Hold time	5s ~ 30min (selectable)
Daylight threshold	2 ~ 50 lux, disabled
Stand-by period	0s ~ 1h, +∞ (selectable)
Stand-by dimming level	10% / 30%

#### Environment

Operation temperature	Ta: -20°C ~ +60°C
Case temperature (Max.)	Tc: +80°C
IP rating	IP20



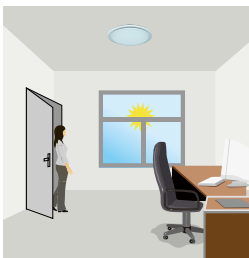
This sensor is specially designed for small scale, decentralised retrofit project, which contains a DALI power supply circuit and gives DALI output to the DALI driver to carry out on/off and dimming command. No extra DALI power supply is needed.

## Functions and Features

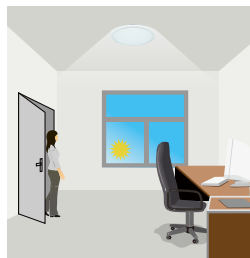
### 1 Photocell Advance™ Function

It's well known that LED lights have a totally different spectrum to natural light. It uses this principle and comes up with special photocell and sophisticated software algorithm to measure and differentiate natural light from LED light from behind the fixture cover, so that this photocell can ignore internal LED light and only respond to the natural light outside. Our technology has no infringement to the existing patents in the market.

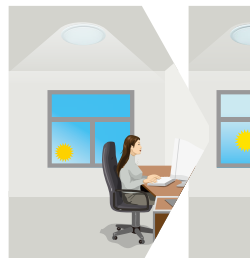
### 2 Daylight Harvest



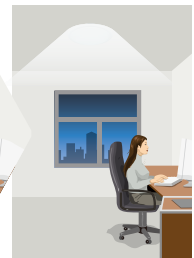
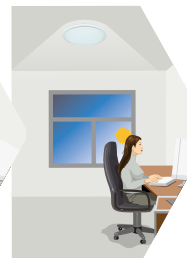
The light will not switch on when natural light is sufficient, even there is motion detected.



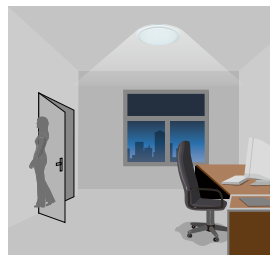
The light switches on automatically with presence when natural light is insufficient.



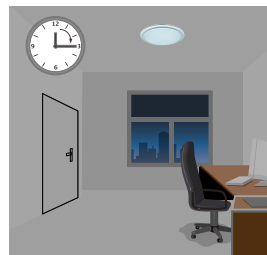
The light turns on at full or dims to maintain the lux level. The light output regulates according to the level of natural light available.



The light switches off when the ambient natural light is sufficient.



The light dims to stand-by period after hold-time and stays on selected minimum dimming level.



The light switches off completely after the stand-by period.

**Note:**  
 1. The light automatically turns on at target dim level or turns off based upon ambient natural light lux level during stand-by period if it is preset to '+∞'.  
 2. The target lux level can be adjusted by RC or a long press on the push switch.

### 3 Synchronisation Function

By connecting the "SYNC" terminals in parallel (maximum 10pcs, see wiring diagram), no matter which sensor detects motion, all HCD418/DH in the group will turn on the lights (ambient natural light is below daylight threshold). The detection area is widely enlarged in this way while other settings such as hold-time, stand-by period, stand-by dimming level and daylight threshold on each individual unit stay the same.

### 4 Manual Override

This sensor reserves the access of manual override function for end-user to switch on/off, or adjust the target lux level by push-switch, which makes the product more user-friendly and offers more options to fit some extra-ordinary demands:

\* Short Push (< 1 s): on/off function;

On → Off: the light turns off immediately and cannot be triggered ON by motion until the expiration of pre-set hold-time. After this period, the sensor goes back to normal sensor mode.

Off → On: the light turns on and goes to sensor mode, no matter if ambient Lux level exceeds the daylight threshold or not.

\* Long Push (> 1 s): adjust the target lux level by turning the light up or down. Both the adjustment on RC and push switch can overwrite each other, the last adjustment remains in memory.

*Note: if end-user do not want this manual override function, just leave the "push" terminal unconnected to any wire.*

### 5 Semi-auto Mode (Absence Detection)

It is easy to forget to switch off the light, in office, corridor, even at home. And in many other cases, people do not want to have a sensor to switch on the light automatically, for example, when people just quickly pass-by, there is no need to have the light on. The solution is to apply this "absence detector": motion sensor is employed, but only activated on the manual press of the push switch, the light keeps being ON in the presence, and dims down in the absence, and eventually switches off in the long absence.

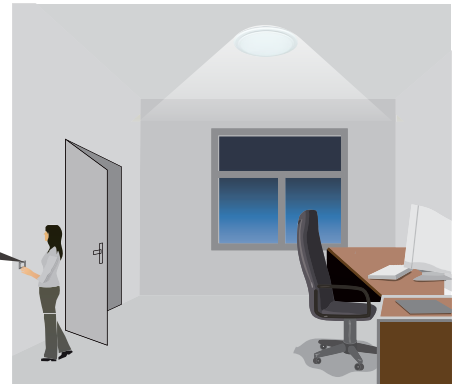
This is a good combination of sensor automation and manual override control, to have the maximum energy saving, and at the same time, to keep efficient and comfortable lighting.



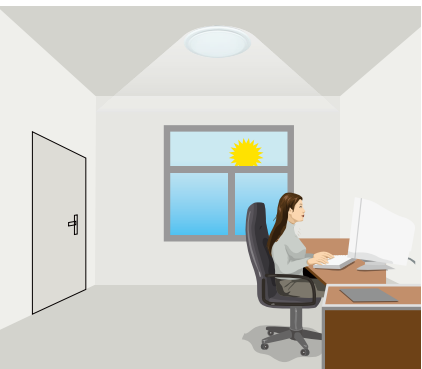
The light does not switch on when there is presence being detected.



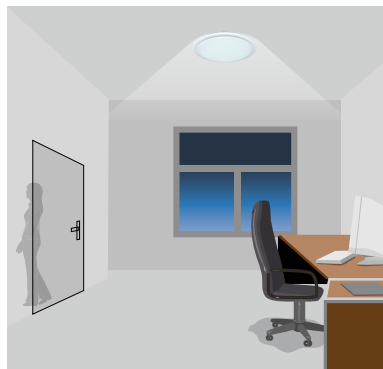
Short push to activate the sensor and switch on the light



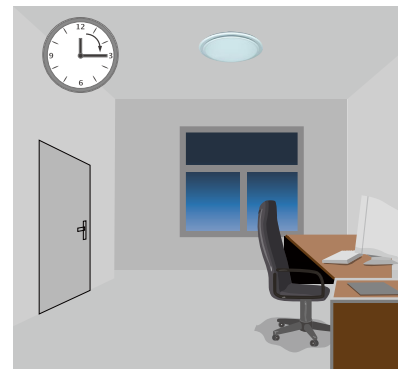
The light turns on full, and the sensor stays in sensor mode.



The light keeps being ON during the presence.

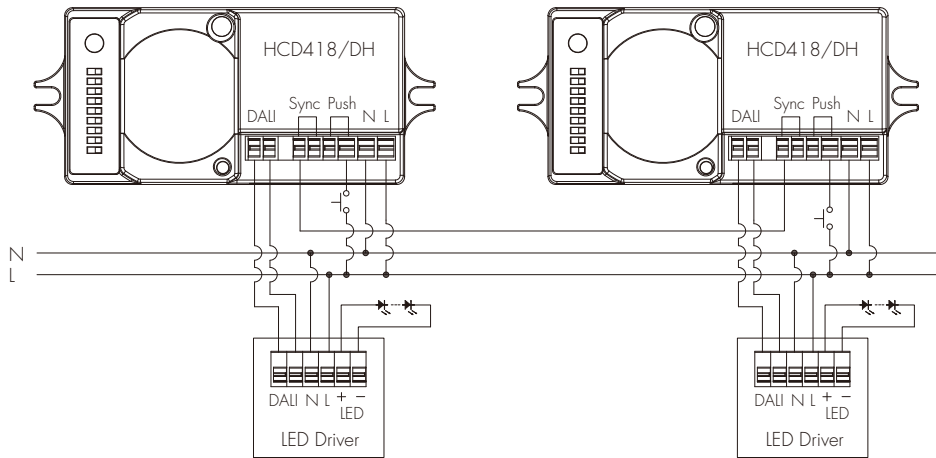
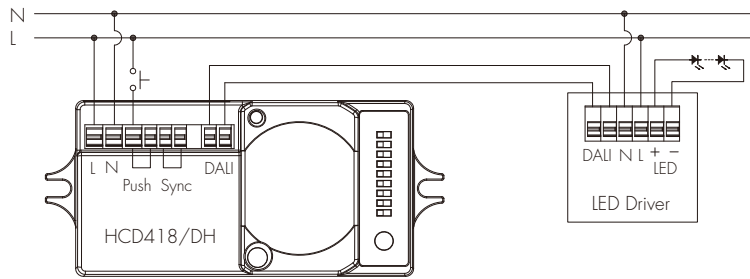


People left, the light dims to stand-by level after the hold-time.



The light switches off automatically after the stand-by period elapses.

*Note: end-user can choose either function 4 or function 5 for application. Default function is manual override.*



## DIP Switch Settings

### 1 Detection Range

Sensor sensitivity can be adjusted by selecting the combination on the DIP switches to fit precisely for each specific application.

	1	
I	●	100%
II	○	50%



I – 100%  
II – 50%

### 2 Hold Time

Select the dip switch configuration for the full brightness on-time after presense detection.

*Please note that this function is disabled when the natural daylight exceeds the daylight threshold setting for more than 5 minutes.*

	2	3	
I	●	●	5s
II	●	○	3min
III	○	●	10min
IV	○	○	30min



I – 5s  
II – 3min  
III – 10min  
IV – 30min

### 3 Daylight Threshold

Set the level according to the fixture and environment. In Photocell Advance™ mode this level will determine at which point the light turns off, and automatically turns back on again (stand-by time is set to infinity).

*Please note that the levels refer to internal light reaching the sensor.*

	4	5	
I	●	●	Disable
II	●	○	50Lux
III	○	●	10Lux
IV	○	○	2Lux



I – Disable  
II – 50Lux  
III – 10Lux  
IV – 2Lux

Disabling the daylight sensor will put the sensor into occupancy detection only mode.

#### 4 Stand-by period (corridor function)

This is the time period you would like to keep at the low light output level before it is completely switched off in the long absence of people.

Note: "Os" means on/off control;

"+ ∞" means the stand-by time is infinite and the fixture is effectively controlled by the daylight sensor, automatic on/off operation based upon daylight). Selecting other time periods will disable 'automatic on' operation and the photocell is used only to turn off the fixture automatically.

	6	7	8	
I	●	●	●	0s
II	●	○	○	10s
III	●	○	○	1min
IV	●	○	○	5min
V	○	●	○	10min
VI	○	●	○	30min
VII	○	○	●	1h
VIII	○	○	○	+∞

- I – 0s
- II – 10s
- III – 1min
- IV – 5min
- V – 10min
- VI – 30min
- VII – 1h
- VIII – +∞

#### 5 Stand-by dimming level

The setting is used to select the desired dimmed light level used in periods of absence for enhanced comfort and safety.

	9	
I	●	10%
II	○	30%

- I – 10%
- II – 30%

### Settings (Remote Control HRC-11)



#### Permanent ON/OFF function

Press button "ON/OFF" to select permanent ON or permanent OFF mode.

\* Press button "AUTO", "RESET" or "Ambient" to quit this mode.



#### Reset Settings

Press button "RESET", all settings go back to DIP switch settings.



#### Shift Button

Press button "Shift", the LED on the top left corner will flash to indicate mode selection. All values / settings in RED are valid for 20 seconds.



#### AUTO mode

Press button "AUTO" to initiate automatic mode. The sensor starts working and all settings remain as before the light is switched ON/OFF.



#### SEMI-AUTO mode

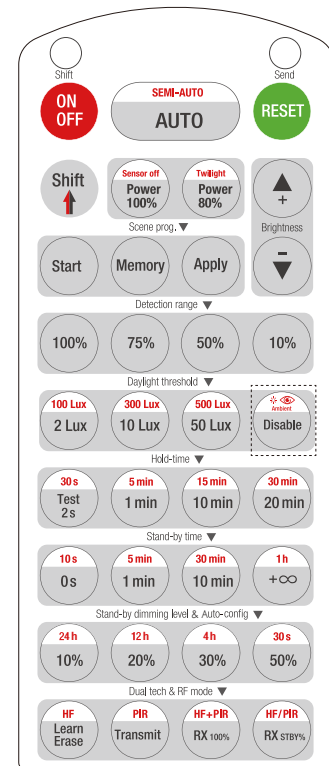
1. Press button "Shift", the red LED flashes for indication.
2. Press button "SEMI-AUTO/AUTO" to initiate semi-auto mode. The fixture is manually turned on by pressing the push-switch, and goes off automatically after stand-by time. (Absence detection mode)



#### Power output

Press the buttons to select light output at 80% (at initial 10,000 hours) or 100%.

Note: "Sensor off" and "Twilight" functions are disabled.



HRC-11



## Brightness +/-

Press these two buttons to adjust the light output brightness and set a new target lux level. The built-in daylight sensor can measure ambient daylight level from behind the diffuser and calculates how much artificial light is needed to maintain the target lux level.



## Scene program - 1-key commissioning

1. Press button "Start" to program.
2. Select the buttons in "Detection range", "Daylight threshold", "Hold-time", "Stand-by time", "Stand-by dimming level" to set all parameters.
3. Press button "Memory" to save all the settings programmed in the remote control.
4. Press button "Apply" to set the settings to each sensor unit(s).

*For example, to set detection range 100%, daylight threshold Disable, hold-time 5min, stand-by time +∞, stand-by dimming level 30%, the steps should be: Press button "Start", button "100%", "Disable", "Shift", "5min", "Shift", "+∞", "30%", "Memory". By pointing to the sensor unit(s) and pressing "Apply", all settings are passed on the sensor(s).*

### Detection range

Press buttons in zone "Detection range" to set detection range at 100% / 75% / 50% / 10%.

### Daylight threshold

Press buttons in zone "Daylight threshold" to set daylight sensor at 2Lux / 10Lux / 50Lux / 100Lux / 300Lux / 500Lux / Disable. The light will not turn on upon movement if ambient lux level exceeds the daylight threshold preset.

*Note: To set daylight sensor at 100Lux / 300Lux / 500Lux, press "Shift" button first.*

### Ambient daylight threshold

1. Press button "Shift", the red LED starts to flash.
2. Press button "Ambient", the surrounding lux level is sampled and set as the new daylight threshold.

### Hold-time

Press buttons in zone "hold-time" to set the hold-time at 2s / 30s / 1min / 5min / 10min / 15min / 20min / 30min.

*Note: 1. To set hold-time at 30s / 5min / 15min / 30min, press "Shift" button first.*

2. 2s is for testing purpose only, stand-by period and daylight sensor settings are disabled in this mode.

\*To exit from Test mode, press button "RESET" or any button in "Hold-time".

### Stand-by time (corridor function)

Press buttons in zone "stand-by time" to set the stand-by period at 0s / 10s / 1min / 5min / 10min / 30min / 1h / +∞.

*Note: "0s" means on/off control; "+∞" means the stand-by time is infinite and the light is effectively controlled by the daylight sensor, off when natural light is sufficient and automatically on at dimming level when insufficient.*

### Stand-by dimming level

Press the button in zone "stand-by dimming level" to set the stand-by dimming level at 10% / 20% / 30% / 50%.

### Daylight harvest auto-configuration

1. Press button "Shift", the red LED starts to flash.
2. Select a time period and the sensor will do light level measurement and determine/save the lowest light level (commission line) with 100% light on, so as to set the target lux level automatically.

*Note: 1. Make sure the light level measurement covers the night time.*

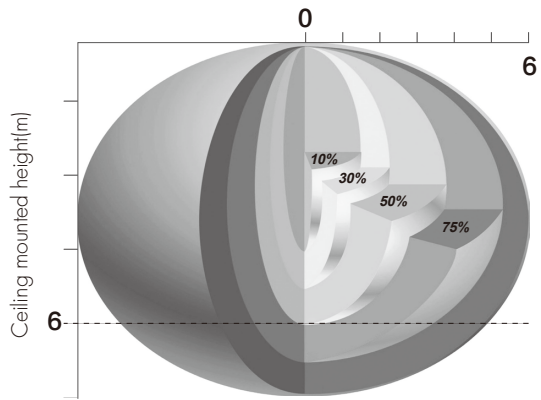
2. The fixture will go into sensor mode after the measurement, all sensor settings remain unchanged.

### Dual tech & RF mode

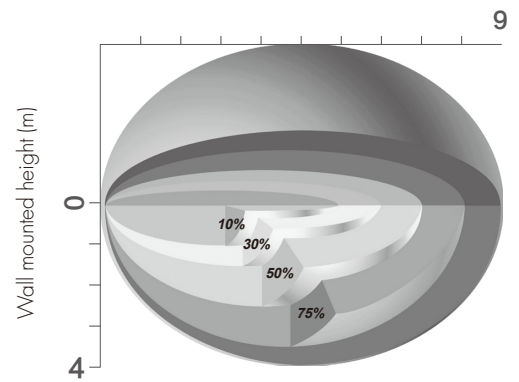
All buttons in this zone are disabled.



Detection Pattern



Ceiling mounted detection pattern (m)



Wall mounted detection pattern (m)