



Disano Cripto



Housing: in die-cast aluminium with cooling fins.


Diffuser: tempered glass, 4 mm thick, resistant to thermal shock and impacts.

Coating: polyester resin for powder coating, resistant to corrosion and saline environments (Cripto small and Cripto medium). The first stage includes grey epoxy e-coating, resistant to corrosion and saline environments. Then the fixture is coated with an acrylic based UV-stabilised resin.

 **On request:** acetic acid salt spray coating pursuant to standard UNI EN ISO 9227 "Corrosion Tests in Artificial Atmosphere".

Standard Supply: complete with galvanised and coated bracket, Cripto small with electrical cable (L = 1m). Safety diode to protect against voltage peaks compliant with EN 61547. Cripto medium/big with double insulation switch.

On request: 1-10V dimmer, dimmable from 10% to 100%.

 electronic safety device to protect the LED module and the related ballast compliant with EN 61547.

It works in two modes:

- differential mode: surge between power cables and between the phase and neutral.

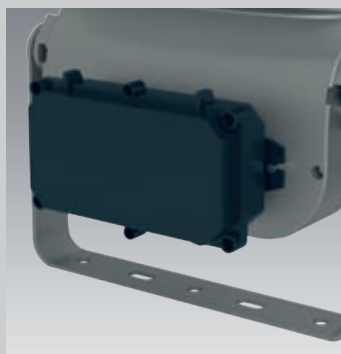
- common mode: surge between power, L/N and ground cables or between the fixture's body if it is of class II and installed on a metal pole.

On request: protection up to 10KV.

Low Optical Flicker
Less Than 3%



The UL Verified Mark is identified with the "Low Flicker Risk" logo that includes a maximum flicker value of 8% at 50 Hz and the 10% at 60 Hz.

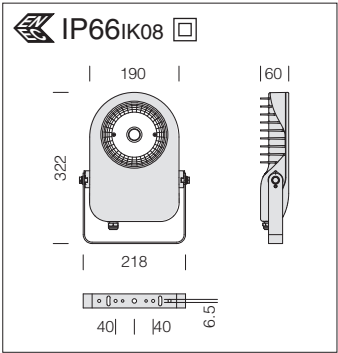
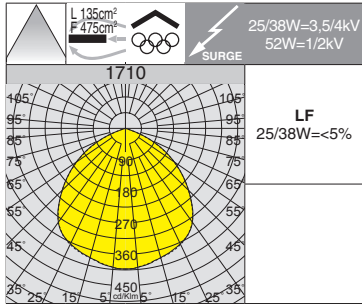


Low Flicker: product with a very low flicker; uniform light for greater eye protection.

On request **Cripto big** supplied with a separate gear box for additional module of remote control system.

Complete with protractor scale. Aiming visor for precise aiming of the floodlight.



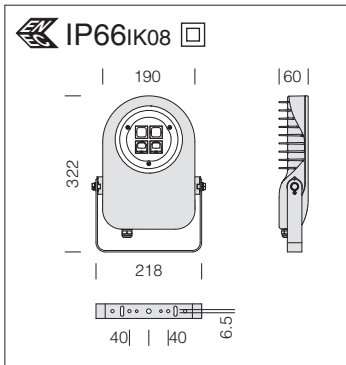


Reflector: in pre-anodised aluminium.
LED: Power factor: $\geq 0,9$.
 Luminous flux maintenance 70%: 50.000h (L70B50).

Equipment: complete with electrical cable for mains connection.

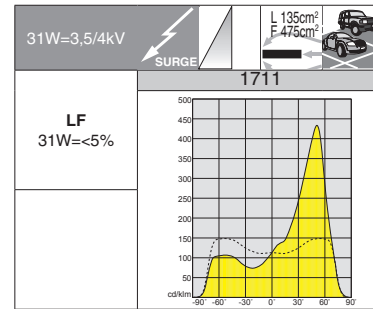
| 1710 Cripto small - wide beam | | | | | |
|-------------------------------|-----------|----------|-----------|----|-------------------------|
| | | CLD CELL | | | LED (Tp=25°C) |
| wattage (700mA) | colour | weight | code | W | K - ø1m 700mA - CRI |
| LED COB | graphite | 2.50 | 413000-00 | 25 | 4000K - 3000lm - CRI 90 |
| LED COB | s. silver | 2.50 | 413001-00 | | |
| LED COB | white | 2.50 | 413002-00 | | |
| wattage (1050mA) | | | | | K - ø1m 1050mA - CRI |
| LED COB | graphite | 2.50 | 413050-00 | 38 | 4000K - 4700lm - CRI 90 |
| LED COB | s. silver | 2.50 | 413051-00 | | |
| LED COB | white | 2.50 | 413054-00 | | |
| wattage (1400mA) | | | | | K - ø1m 1400mA - CRI |
| LED COB | graphite | 2.50 | 413052-00 | 52 | 4000K - 6300lm - CRI 90 |
| LED COB | s. silver | 2.50 | 413053-00 | | |
| LED COB | white | 2.50 | 413055-00 | | |





Optics: in PMMA, highly resistant to temperature and UV radiation. Flow recovery in V0 polycarbonate.

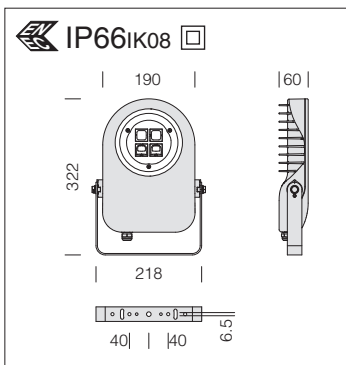
LED: Power factor: $\geq 0,9$.
Luminous flux maintenance 70%:
80.000h (L70B20).



Equipment: complete with electrical cable for mains connection.

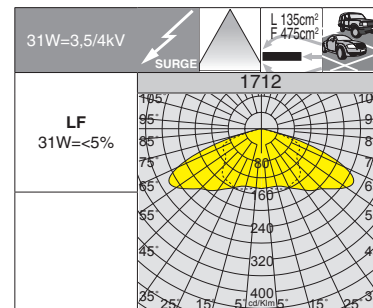
| 1711 Cripto small - asymmetric | | | | | |
|--------------------------------|-----------|----------|-----------|----|-------------------------|
| | | CLD CELL | | W | LED (Tj=85°C) |
| wattage (700mA) | colour | weight | code | 31 | K - ø1m 700mA - CRI |
| LED | graphite | 4.00 | 413010-00 | | 4000K - 4320lm - CRI 80 |
| LED | s. silver | 4.00 | 413011-00 | | |

| | Power supply | W | ø1m |
|------------|--------------|----|------|
| On request | 530mA | 24 | 3240 |



Optics: in PMMA, highly resistant to temperature and UV radiation. Flow recovery in V0 polycarbonate.

LED: Power factor: $\geq 0,9$.
Luminous flux maintenance 70%:
80.000h (L70B20).



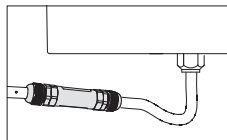
Equipment: complete with electrical cable for mains connection.

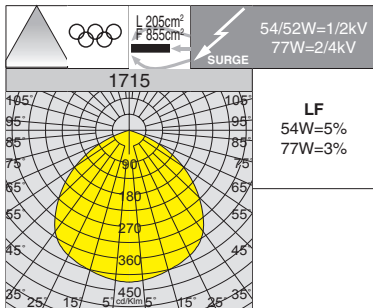
| 1712 Cripto small - symmetric | | | | | |
|-------------------------------|-----------|----------|-----------|----|-------------------------|
| | | CLD CELL | | W | LED (Tj=85°C) |
| wattage (700mA) | colour | weight | code | 31 | K - ø1m 700mA - CRI |
| LED | graphite | 4.00 | 413020-00 | | 4000K - 4320lm - CRI 80 |
| LED | s. silver | 4.00 | 413021-00 | | |

| | Power supply | W | ø1m |
|------------|--------------|----|------|
| On request | 530mA | 24 | 3240 |

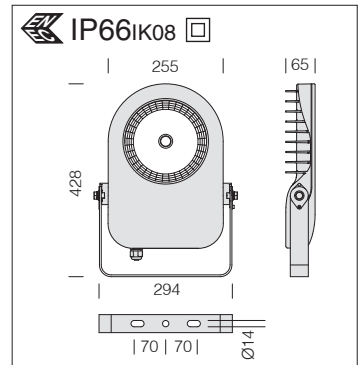
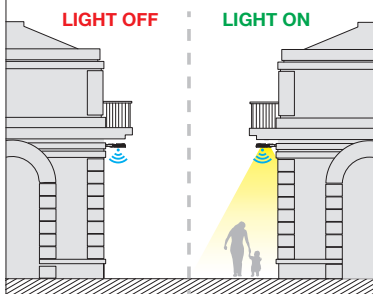


acc. 339 Connector
993836-00
To be used for mains connection of
art. 1710-1711-1712





RADAR SENSOR (sub-code -19): is an automatic sensor that immediately sense the presence of people's movements and anyone walking past. When there is movement within the sensor's detection range, the light will remain ON. When no further movement is detected, the light will switch OFF after a pre-set time.

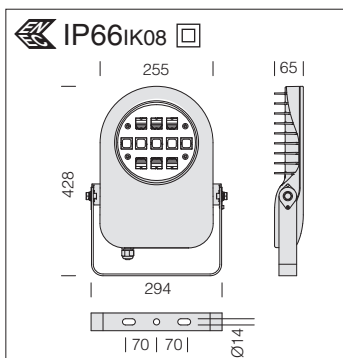


Reflector: in pre-anodised aluminium.

LED: Power factor: $\geq 0,9$.
Luminous flux maintenance 70%:
50.000h (L70B50).

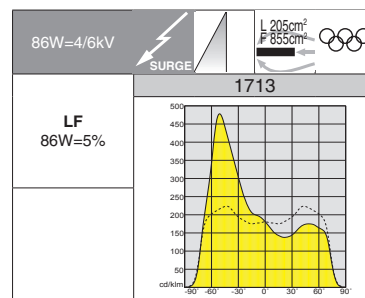
1715 Cripto medium - wide beam

| | | CLD CELL | | LED (Tp=25°C) | |
|------------------|-----------|----------|-----------|---------------|--------------------------|
| wattage (1050mA) | colour | weight | code | W | K - ølm 1050mA - CRI |
| LED COB | graphite | 5.50 | 413062-00 | 54 | 4000K - 7700lm - CRI 80 |
| LED COB | s. silver | 5.50 | 413063-00 | | |
| wattage (1400mA) | | | | | K - ølm 1400mA - CRI |
| LED COB | graphite | 5.50 | 413060-00 | 52 | 4000K - 6300lm - CRI 90 |
| LED COB | s. silver | 5.50 | 413061-00 | | |
| LED COB | graphite | 5.50 | 413064-00 | 77 | 4000K - 10000lm - CRI 80 |
| LED COB | s. silver | 5.50 | 413065-00 | | |



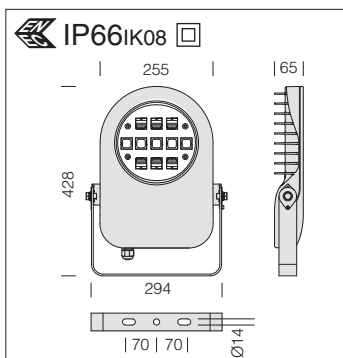
Optics: in PMMA, highly resistant to temperature and UV radiation. Flow recovery in V0 polycarbonate.

LED: Power factor: $\geq 0,9$.
Luminous flux maintenance 70%:
80.000h (L70B20).



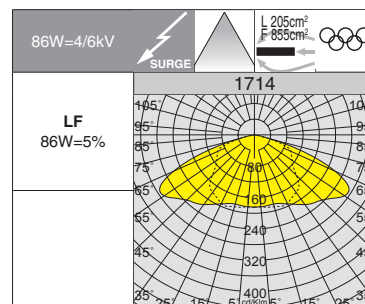
| 1713 Cripto medium - asymmetric | | | | | |
|---------------------------------|-----------|----------|-----------|----|--------------------------|
| wattage (700mA) | colour | CLD CELL | | W | LED (Tj=85°C) |
| | | weight | code | | K - ølm 700mA - CRI |
| LED | graphite | 5.50 | 413030-00 | 86 | 4000K - 11880lm - CRI 80 |
| LED | s. silver | 5.50 | 413031-00 | | |

| | Power supply | W | ølm |
|------------|--------------|----|------|
| On request | 530mA | 65 | 8910 |



Optics: in PMMA, highly resistant to temperature and UV radiation. Flow recovery in V0 polycarbonate.

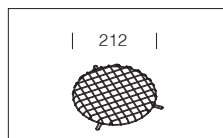
LED: Power factor: $\geq 0,9$.
Luminous flux maintenance 70%:
80.000h (L70B20).



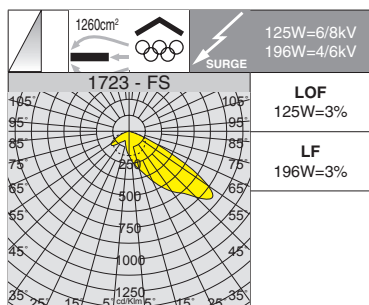
| 1714 Cripto medium - symmetric | | | | | |
|--------------------------------|-----------|----------|-----------|----|--------------------------|
| wattage (700mA) | colour | CLD CELL | | W | LED (Tj=85°C) |
| | | weight | code | | K - ølm 700mA - CRI |
| LED | graphite | 5.50 | 413040-00 | 86 | 4000K - 11880lm - CRI 80 |
| LED | s. silver | 5.50 | 413041-00 | | |

| | Power supply | W | ølm |
|------------|--------------|----|------|
| On request | 530mA | 65 | 8910 |

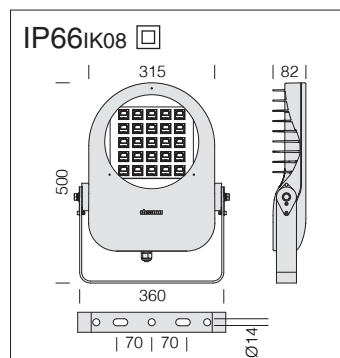
| acc. 306 protection guard | |
|---|-----------|
| black | 145515-00 |
| Plastic-coated steel rod. For protection against impact (except COB version). | |



Cripto Big - asymmetric



80.000h

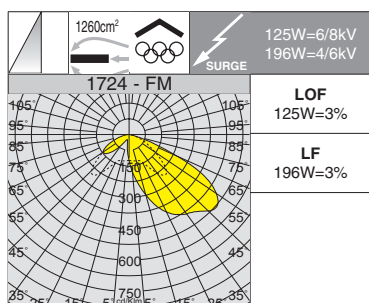


Optics: in PMMA, highly resistant to temperature and UV radiation. Flow recovery in V0 polycarbonate.

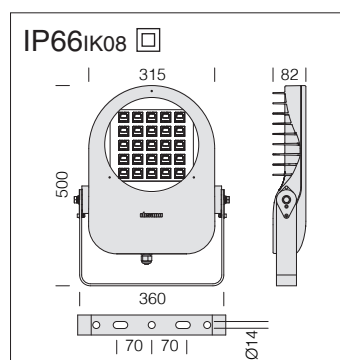
LED: Power factor: $\geq 0,92$.
Luminous flux maintenance 70%: 80.000h (L70B20).

1723 Cripto Big - asymmetric 50° - FS

| wattage (700mA) | colour | CLD CELL | | W | LED (Tj=85°C) |
|-----------------|-----------|----------|-----------|-----|--------------------------|
| | | weight | code | | K - ølm 700mA - CRI |
| LED | graphite | 7.50 | 413070-00 | 125 | 4000K - 16700lm - CRI 80 |
| LED | s. silver | 7.50 | 413074-00 | | |
| LED | graphite | 8.00 | 413071-00 | 196 | 4000K - 26200lm - CRI 80 |
| LED | s. silver | 8.00 | 413075-00 | | |



80.000h

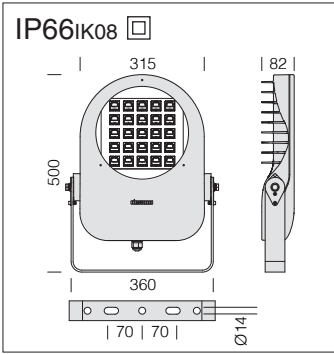


Optics: in PMMA, highly resistant to temperature and UV radiation. Flow recovery in V0 polycarbonate.

LED: Power factor: $\geq 0,92$.
Luminous flux maintenance 70%: 80.000h (L70B20).

1724 Cripto Big - asymmetric 50° - FM

| wattage (700mA) | colour | CLD CELL | | W | LED (Tj=85°C) |
|-----------------|-----------|----------|-----------|-----|--------------------------|
| | | weight | code | | K - ølm 700mA - CRI |
| LED | graphite | 7.50 | 413080-00 | 125 | 4000K - 16700lm - CRI 80 |
| LED | s. silver | 7.50 | 413084-00 | | |
| LED | graphite | 8.00 | 413081-00 | 196 | 4000K - 26200lm - CRI 80 |
| LED | s. silver | 8.00 | 413085-00 | | |

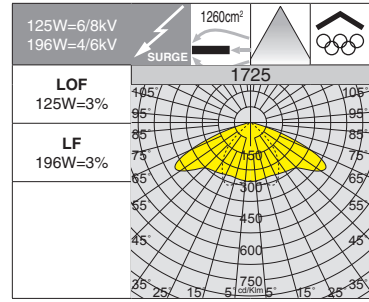


80.000h

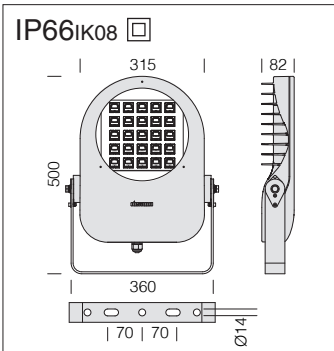


Optics: in PMMA, highly resistant to temperature and UV radiation. Flow recovery in V0 polycarbonate.

LED: Power factor: $\geq 0,92$.
Luminous flux maintenance 70%:
80.000h (L70B20).



| 1725 Cripto Big - symmetric | | | | | |
|-----------------------------|-----------|----------|-----------|-----|--------------------------|
| | | CLD CELL | | W | LED (Tj=85°C) |
| wattage (700mA) | colour | weight | code | | K - ølm 700mA - CRI |
| LED | graphite | 7.50 | 413090-00 | 125 | 4000K - 16700lm - CRI 80 |
| LED | s. silver | 7.50 | 413094-00 | 125 | 4000K - 16700lm - CRI 80 |
| LED | graphite | 8.00 | 413091-00 | 196 | 4000K - 26200lm - CRI 80 |
| LED | s. silver | 8.00 | 413095-00 | 196 | 4000K - 26200lm - CRI 80 |

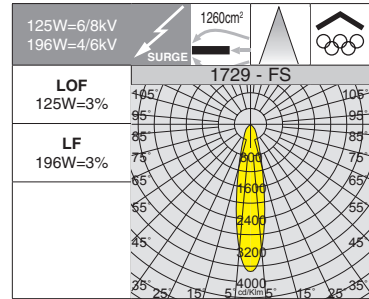


80.000h



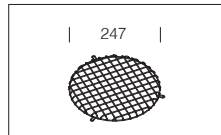
Optics: in high-performance metallic V2 polycarbonate with micro-faceted finish.

LED: Power factor: $\geq 0,92$.
Luminous flux maintenance 70%:
80.000h (L70B20).

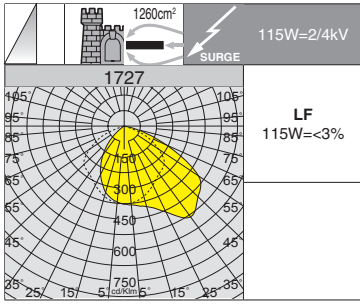


| 1729 Cripto Big - symmetric 20° - FS | | | | | |
|--------------------------------------|-----------|----------|-----------|-----|--------------------------|
| | | CLD CELL | | W | LED (Tj=85°C) |
| wattage (700mA) | colour | weight | code | | K - ølm 700mA - CRI |
| LED | graphite | 7.50 | 413170-00 | 125 | 4000K - 16700lm - CRI 80 |
| LED | s. silver | 7.50 | 413174-00 | 125 | 4000K - 16700lm - CRI 80 |
| LED | graphite | 8.00 | 413171-00 | 196 | 4000K - 26200lm - CRI 80 |
| LED | s. silver | 8.00 | 413175-00 | 196 | 4000K - 26200lm - CRI 80 |

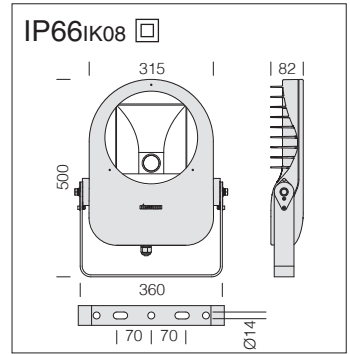
| acc. 306 protection guard | |
|---|-----------|
| black | 145516-00 |
| Plastic-coated steel rod. For protection against impact (except COB version). | |



-
-
-
-
-
-
-
-
-



80.000h



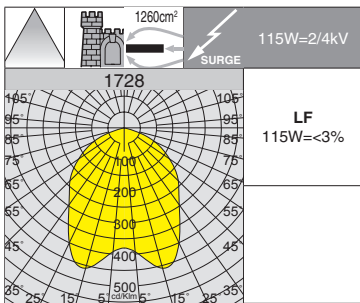
Reflector: asymmetric and faceted, made from aluminium 99.98.

LED: Power factor: $\geq 0,92$.
Luminous flux maintenance 70%:
50.000h (L70B50).

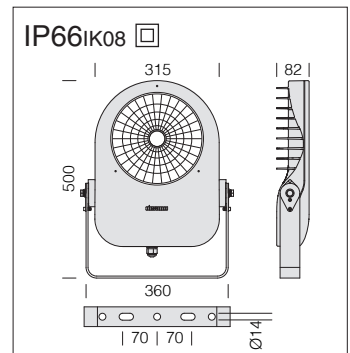
1727 Cripto Big - asymmetric

| wattage (2100mA) | colour | CLD CELL | | W | LED (Tc=25°C) |
|------------------|-----------|----------|-----------|------------|--------------------------|
| | | weight | code | | K - ølm 2100mA - CRI |
| LED COB | graphite | 6.00 | 413150-00 | 115 | 4000K - 14000lm - CRI 80 |
| LED COB | s. silver | 6.00 | 413152-00 | | |

-
-
-
-
-
-
-
-
-



80.000h



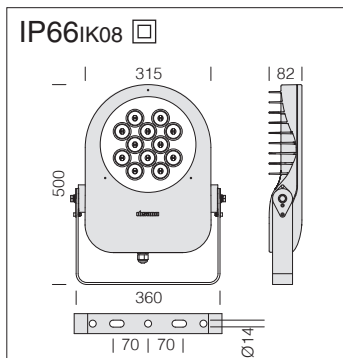
Reflector: in pre-anodized aluminium.

LED: Power factor: $\geq 0,92$.
Luminous flux maintenance 70%:
50.000h (L70B50).

1728 Cripto Big - wide beam

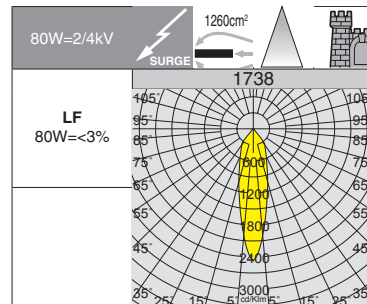
| wattage (2100mA) | colour | CLD CELL | | W | LED (Tc=25°C) |
|------------------|-----------|----------|-----------|------------|--------------------------|
| | | weight | code | | K - ølm 2100mA - CRI |
| LED COB | graphite | 6.00 | 413160-00 | 115 | 4000K - 14000lm - CRI 80 |
| LED COB | s. silver | 6.00 | 413162-00 | | |

Cripto Big - narrow beam



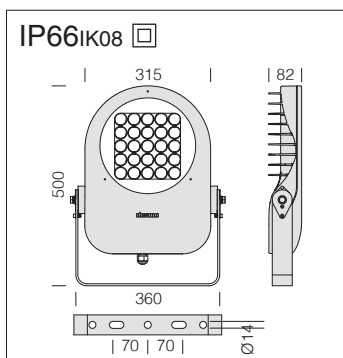
Optics: in high-performance metallic V2 polycarbonate with micro-faceted finish.

LED: Power factor: $\geq 0,92$.
Luminous flux maintenance 70%:
80.000h (L70B20).



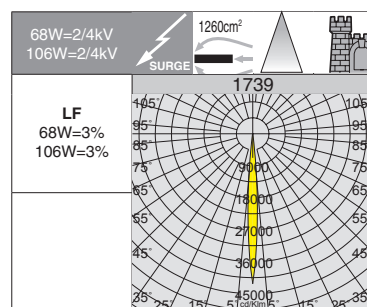
-
-
-
-
-
-
-
-
-

| 1738 Cripto Big - 24° | | | | | |
|-----------------------|-----------|----------|-----------|---------------|-------------------------|
| | | CLD CELL | | LED (Tj=85°C) | |
| wattage (2100mA) | colour | weight | code | W | K - ølm 2100mA - CRI |
| LED | graphite | 7.50 | 413180-00 | 80 | 4000K - 8500lm - CRI 80 |
| LED | s. silver | 7.50 | 413181-00 | | |



Optics: Optics made of PMMA with high temperature resistance and UV rays.

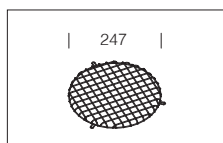
LED: Power factor: $\geq 0,92$.
Luminous flux maintenance 70%:
80.000h (L70B20).



-
-
-
-
-
-
-
-
-

| 1739 Cripto Big - 7° | | | | | |
|----------------------|-----------|----------|-----------|---------------|--------------------------|
| | | CLD CELL | | LED (Tj=85°C) | |
| wattage (1400mA) | colour | weight | code | W | K - ølm 1400mA - CRI |
| LED | graphite | 7.50 | 413190-00 | 68 | 4000K - 8200lm - CRI 80 |
| LED | s. silver | 7.50 | 413191-00 | | |
| LED | graphite | 7.50 | 413192-00 | 106 | 4000K - 12800lm - CRI 80 |
| LED | s. silver | 7.50 | 413193-00 | | |

| acc. 306 protection guard | |
|---|-----------|
| black | 145516-00 |
| Plastic-coated steel rod. For protection against impact (except COB version). | |



Rated average design life where stated is based upon application of the product's operating and maintenance guidelines; Actual product life may vary dependent upon frequency of maintenance and product application. Lumens noted are chip lumens. Wattages noted are module wattages. Due to continual product improvement, information is subject to change without notification. Gerard Lighting Pty Ltd standard Terms and Conditions apply. Correct as at date 14/3/2017.