

Introduction

A range of wall mounted DALI dimmers with a built-in DALI power supply. Only a mains connection (Active and Neutral) and DALI connections (DA/DA) are required. No external DALI power supply or other equipment is required. No programming of the device or DALI drivers is required.

Features

- Simple on/off and dimming control for DALI light fixtures
- Colour temperature control (requires DGDALIDM8 model and DALI Type 8 LED drivers)
- Built in 125mA DALI power supply
- Able to control up to 50 DALI drivers on a single DALI line
- Can be connected in parallel on a DALI Line for multi-point control (see pages 3 and 4)
- Configurable minimum brightness setting

Operation

DGDALIDM

- Click the rotary knob to switch ON/OFF all the connected DALI light fixtures
- Rotate the knob clockwise to increase light intensity from 1% to 100%
- Rotate the knob counter clockwise to decrease light intensity from 100% to 1%

DGDALIDM8

- Click the rotary knob to switch ON/OFF all the connected DALI light fixtures
- Rotate the knob clockwise to increase light intensity from 1% to 100%
- Rotate the knob counter clockwise to decrease light intensity from 100% to 1%
- Double-click the dimmer knob and then turn the dial to increase or decrease the colour temperature (**NOTE: this function is only available when used in conjunction with colour tuneable fixtures and DALI Type 8 drivers. Fixtures with standard DALI drivers will dim up/down using a DGDALIDM8, but are not colour tuneable.**)

Applications

Suitable for a wide range of indoor applications which require simple manual control of DALI fixtures. For example:-

- Open Plan commercial offices
- Meeting Rooms
- Board rooms
- Executive offices
- School classrooms
- Hospital wards

Specifications

Operating Main Voltage	100-240Vac
Operating Mains Frequency	50/60Hz
Power Consumption	2.3W max.
DALI Power Supply	In-built, Supplies 125mA max to a DALI Line
Ambient Temperature	0-50°C
IP Rating	IP20
DALI Messaging	DALI Broadcast
Dimensions	120mm x 75mm x 53mm

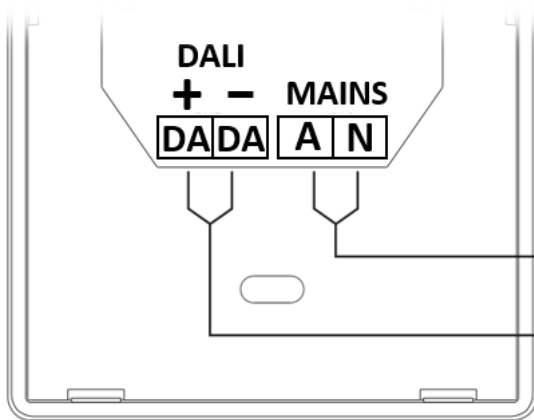
Wiring



Installation of this device must be carried out by a licenced electrician who must work in accordance with standard safety procedures for mains-powered electrical equipment.

Electric shock may result in serious injury or death. Follow all warnings in this guide while working in accordance with the latest electrical safety practices.

Rear of the device



Note

DALI Line must be wired with 1.5mm² double insulated cable.
Maximum total length of DALI Line is 300m.

240Vac Active and Neutral

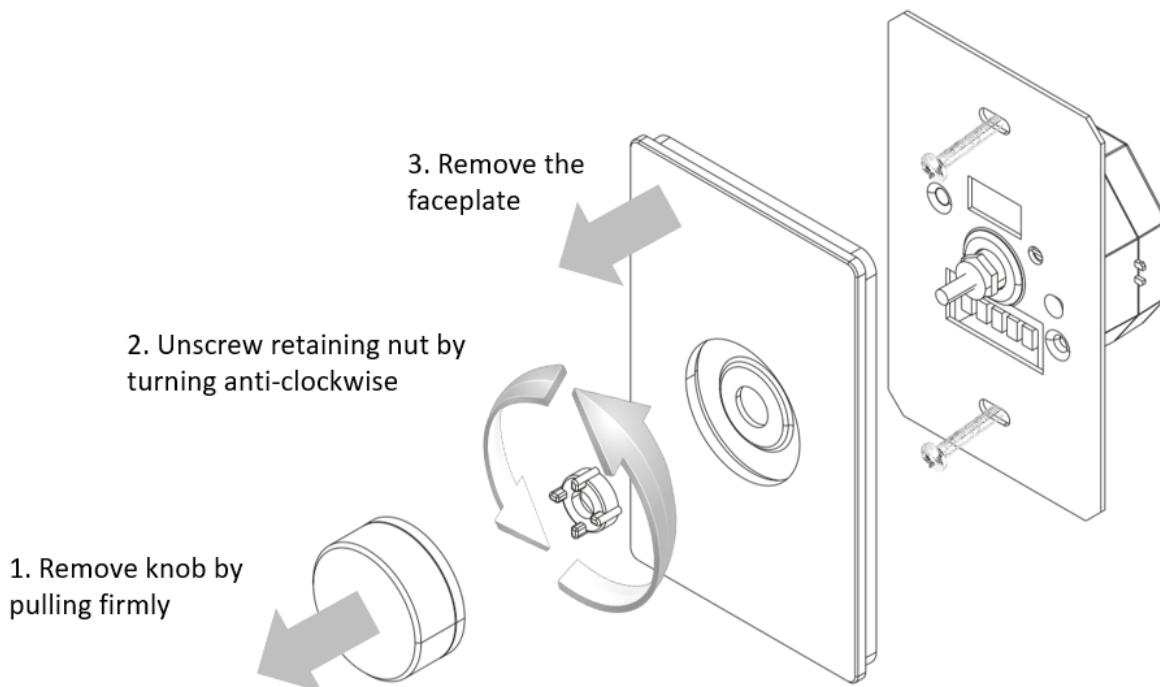
DALI Connections

Installation

The device is wall mounted using a standard plaster bracket, wall box or other suitable standard electrical accessory.

5. Reassemble

4. Mount the rear assembly to a standard plaster bracket, wall box or other suitable electrical accessory



Optional Settings

Setting the minimum dimming level (DGDALIDM and DGDALIDM8)

By default, the minimum dimming level is set to 1%. If required, this minimum level can be adjusted as follows.

1. Use the dimmer knob to manually dim the connected DALI lighting to the minimum required level
2. With the lighting at the minimum required level, press and hold the dimmer knob for 5 seconds
3. The connected DALI lights will flash once and the minimum dimmed level is set.

Resetting the minimum dimming level back to the default 1% minimum (DGDALIDM and DGDALIDM8)

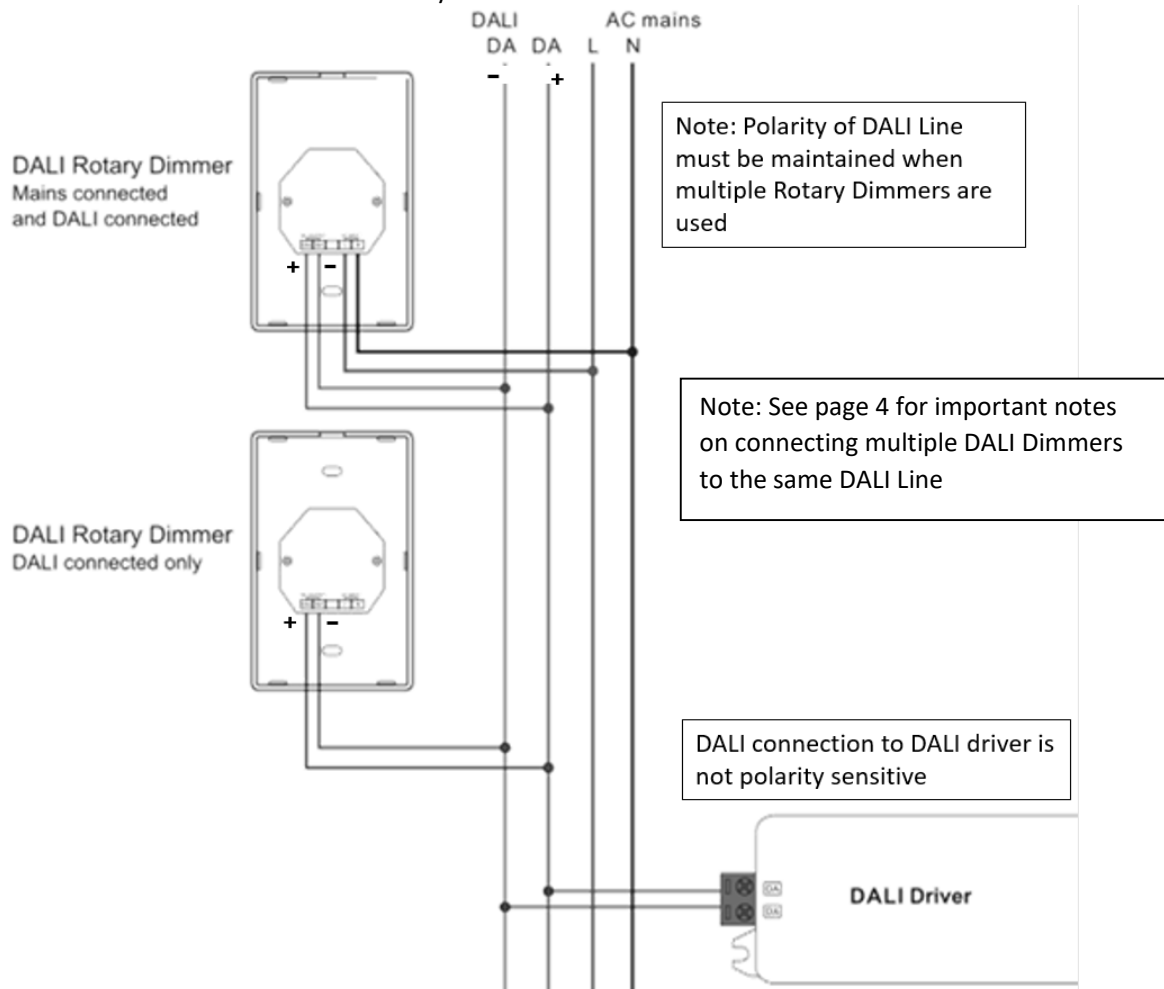
1. Press the dimmer knob to switch the connected DALI lighting off
2. With the connected DALI lighting off, press and hold the knob for 5 seconds
3. The connected DALI lighting will flash once and the minimum dimmed level is reset to 1%.

Setting the Colour temperature (DGDALIDM8 only, DALI Type 8 LED Drivers also required)

1. Ensure the connected DALI Type 8 lighting is switched on
2. Double-click the dimmer knob
3. The connected DALI lighting will flash twice
4. The dimmer is now in colour tuning mode
5. Turn the dial to increase or decrease the colour temperature
6. To return to dimming mode, double-click the dial
7. The connected DALI lighting will flash twice and normal dimming mode is set.

Connecting Multiple DALI Dimmers

To provide multi-way control, up to 4 DALI dimmers can be connected to a single DALI line. An example, providing two-way control is shown below. Noted that only one of the DALI dimmers needs to be connected to mains.



IMPORTANT NOTES FOR MULTI-WAY CONNECTED DALI DIMMERS

- Do not connect more than two mains powered DALI Dimmers to a DALI Line. **Connecting more than two mains powered units to a DALI line can permanently damage all DALI devices or affect DALI communications.**
- Combinations of mains and non-mains powered devices must only be connected as indicated in the ‘Allowed’ column below.

Number of DALI Dimmers connected to a DALI Line (4 max)	Number of Mains and DALI connected DALI Dimmers	Number of DALI only connected DALI Dimmers	Allowed Yes/No
1	1	0	Yes
1	0	1	No
2	2	0	Yes
2	1	1	Yes
2	0	2	No
3	2	1	Yes
3	1	2	Yes
3	3	0	No
3	0	3	No
4	1	3	Yes
4	2	2	Yes
4	3	1	No
4	4	0	No
4	0	4	No

Using 3rd Party DALI Power Supplies

If required, DALI Rotary Dimmers will function with an external DALI power supply connected to the DALI Line. However, in this configuration **DO NOT connect any DALI Rotary Dimmers to mains, only connect them to DALI.**

IMPORTANT: If an external DALI power supply is connected to the DALI Line, connecting the DALI Rotary Dimmer to mains will exceed the maximum current allowed on a DALI line and can permanently damage DALI devices or affect DALI communications.

Warranty

Warranty of 2 years against manufacturing defects or failure to perform to specifications for products installed by an authorised installer in accordance with the manufacturer’s installation instructions and which have not been subject to incorrect operation or maintenance, unauthorised modification or damage arising from any intervening cause. The warranty reference date commences from the date of purchase.

Product of Gerard Lighting Pty Ltd

ABN – 89 095 788 864
 96-112 Gow Street
 Padstow NSW 2211

Contact

General Enquiries: 1300 95 DALI (3254)
 Technical Services: 1300 95 3244
 Fax: 1300 95 3257