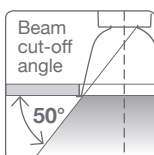
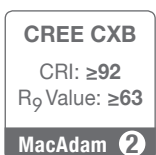
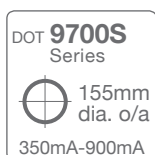
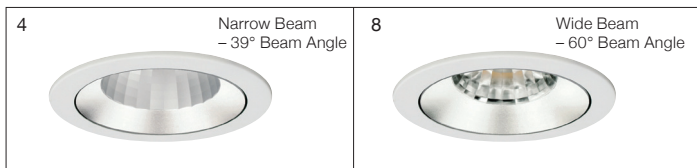


DOT **9700SX**  
EXCEL SERIES



MODELS (Reflector Options)



TECHNICAL

|  |                       |
|--|-----------------------|
| Total Energy Consumption $P_L$ (W) – Refer LED Performance Guide         |                       |
| Weight   | 1600 gms              |
| IEC 60598 – parts 1 and 2  | Complies              |
| AS/NZS60598 – parts 1 and 2  | Complies              |
| Cyanosis (Australia only)  | 4000k option approved |
| IP Rating  | Refer Accessory       |
| Round Ceiling Plate (white) fitted to Downlight Body (white) as standard |                       |

STANDARD DIMMING OPTIONS AVAILABLE

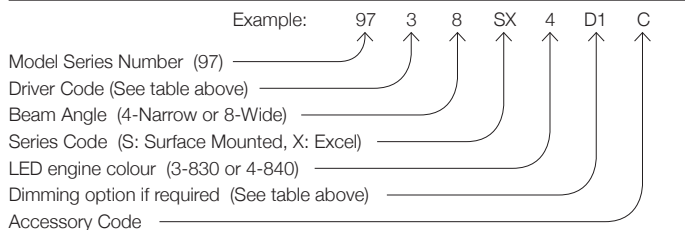
|  |                                  |
|--|----------------------------------|
| <b>D1</b> DALI (350mA–700mA)               | <b>D5</b> one4all: switchDIM     |
| <b>D2</b> one4all: DSI DIM                 | <b>D6</b> Push Dim (350mA–700mA) |
| <b>D3</b> Analogue Dim 1-10V (350mA–700mA) | <b>D7</b> one4all: DALI DIM      |
| <b>D4</b> Phase Cutting (350mA–700mA)      |                                  |

LED GUIDE – DOT 9700SX SURFACE MOUNTED EXCEL SERIES

| DOT Model No. | Driver current (mA) | Colour Temp 3-3000k 4-4000k | Wattage (W) | Luminaire Output Lumens <sup>B</sup> | Luminaire efficacy (lm/W output) | Lifetime LED engine (Hrs @ L90/B10) |
|---------------|---------------------|-----------------------------|-------------|--------------------------------------|----------------------------------|-------------------------------------|
| 9738SX        | (3) 350mA           | 3 <sup>A</sup>              | 13.8        | <b>1120</b>                          | <b>81.2</b>                      | ≥100,000                            |
| 9738SX        | (3) 350mA           | 4                           | 13.8        | <b>1286</b>                          | <b>93.4</b>                      | ≥100,000                            |
| 9758SX        | (5) 500mA           | 3 <sup>A</sup>              | 19.2        | <b>1650</b>                          | <b>85.9</b>                      | ≥100,000                            |
| 9758SX        | (5) 500mA           | 4                           | 19.2        | <b>1891</b>                          | <b>98.6</b>                      | ≥100,000                            |
| 9778SX        | (7) 700mA           | 3 <sup>A</sup>              | 27.1        | <b>2180</b>                          | <b>80.4</b>                      | ≥100,000                            |
| 9778SX        | (7) 700mA           | 4                           | 27.1        | <b>2509</b>                          | <b>92.5</b>                      | ≥100,000                            |

<sup>A</sup> Figures extrapolated / interpolated from data at other currents.  
<sup>B</sup> Output Lumens : Delivered lumen output from downlight, including thermal, electrical and optic losses.  
 – Narrow beam option may vary ± 2%.

ORDERING CODE FORMAT





155mm dia. o/a



## Accessories

### AXLOCK ACCESSORIES

Fitted to downlight *after* installation

Accessory trims available

1 White 2 Black 3 Silver



Other colours available on request.

|   |  |   |
|---|--|---|
|    | <p><b>Default</b> (fitted as standard)<br/><b>Round Ceiling Plate</b><br/>IP20</p> <p>Moulded polycarbonate<br/>- 155mm dia. overall</p>   |  <p><b>X</b><br/><b>Round Ceiling Plate with highlight</b><br/>IP20</p> <p>Moulded polycarbonate<br/>- 155mm dia. overall</p>   |
|    | <p><b>C</b><br/><b>Round Flush Clear Lens</b><br/>IP65</p>  <p>Moulded polycarbonate<br/>- 155mm dia. overall</p>           |  <p><b>XC</b><br/><b>Round Flush Clear Lens with highlight</b><br/>IP65</p>  <p>Moulded polycarbonate<br/>- 155mm dia. overall</p>     |
|    | <p><b>DL</b><br/><b>Round Flush Soft Diffusion Lens</b><br/>IP65</p>  <p>Moulded polycarbonate<br/>- 155mm dia. overall</p> |  <p><b>XDL</b><br/><b>Round Soft Diffusion Lens with highlight</b><br/>IP65</p>  <p>Moulded polycarbonate<br/>- 155mm dia. overall</p> |
|   | <p><b>W</b><br/><b>Round Washlite Lens</b><br/>IP54</p> <p>Moulded polycarbonate<br/>- 155mm dia. overall</p>  |  <p><b>XW</b><br/><b>Round Washlite Lens with highlight</b><br/>IP54</p> <p>Moulded polycarbonate<br/>- 155mm dia. overall</p>   |
|  | <p><b>FG</b><br/><b>Round Flush Glass</b><br/>IP54</p> <p>5mm thick toughened glass with sandblasted centre.<br/>- 158mm dia. overall</p>  |  <p><b>DG</b><br/><b>Round Dropped Glass</b><br/>IP20</p> <p>5mm thick toughened glass with sandblasted centre.<br/>- 158mm dia. overall</p>  |

DOT **9700S** SERIES  
SURFACE MOUNTED



155mm dia. o/a



**Secured Access Accessories**

SECURED ACCESS  
ACCESSORIES

Fitted to downlight **after** installation

Accessory trims available

**1** White   **2** Black   **3** Silver



Other colours available on request.

TORX tamperproof fasteners

|  |   |  |   |
|--|---|--|---|
|  | <p><b>CS</b><br/><b>Round Clear Lens</b><br/>IP65</p> <p>Moulded polycarbonate<br/>- 192mm dia.</p>     |  | <p><b>DLS</b><br/><b>Round Soft Diffusion Lens</b><br/>IP65</p> <p>Moulded polycarbonate<br/>- 192mm dia.</p> |
|  | <p><b>WS</b><br/><b>Round Washlight Lens</b><br/>IP54</p> <p>Moulded polycarbonate<br/>- 192mm dia.</p> |  |   |

PROSPEC OPTIONS

**Project Specific** Accessory Options  
- Factory Fitted

Accessory trims available

**1** White   **2** Black   **3** Silver



Other colours available on request.

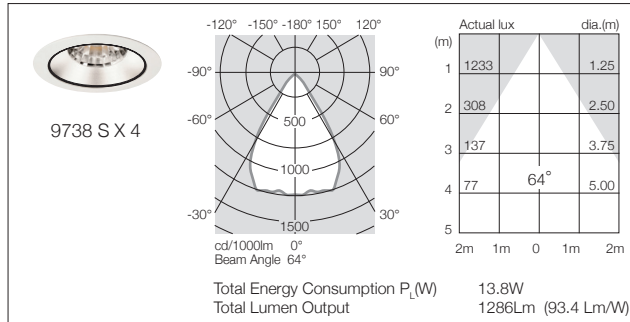
|  |  |   |
|--|--|---|
|  | <p><b>U</b><br/><b>UGR Reduction Accessory</b></p> <p>For improved visual comfort with wide beam models.</p> | <p><b>E Emergency</b></p> <p>Self contained emergency unit - 3 hours. Features inverter and battery pack <math>\geq 550</math> lumens output in emergency mode. Available with most models.</p> |
|--|--|---|



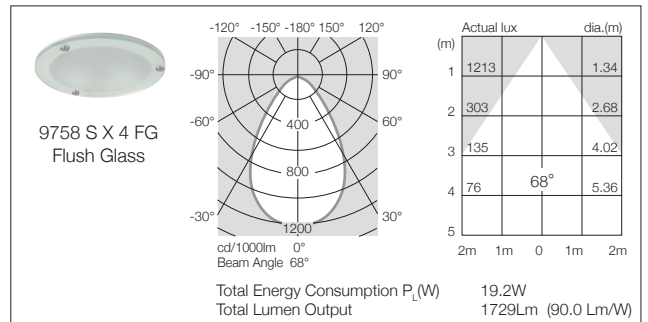
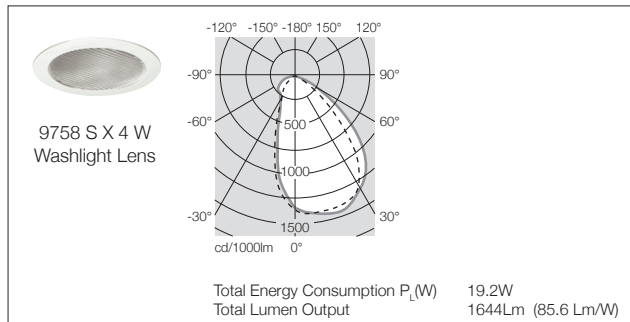
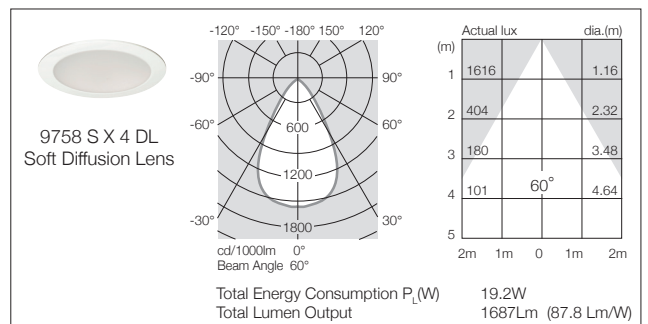
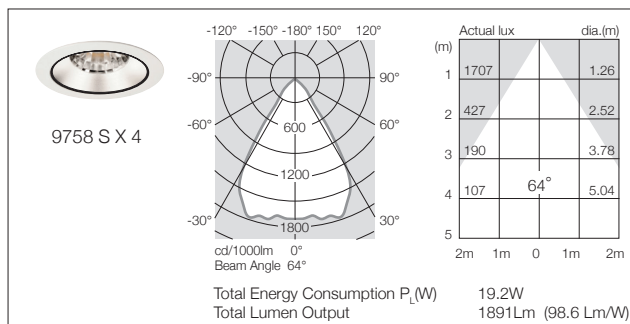
Photometric Data

**9700SX**  
EXCEL SERIES

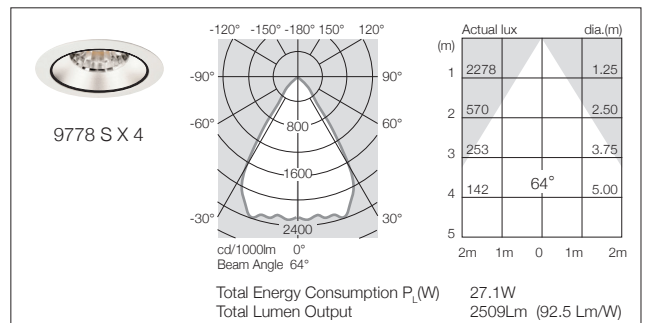
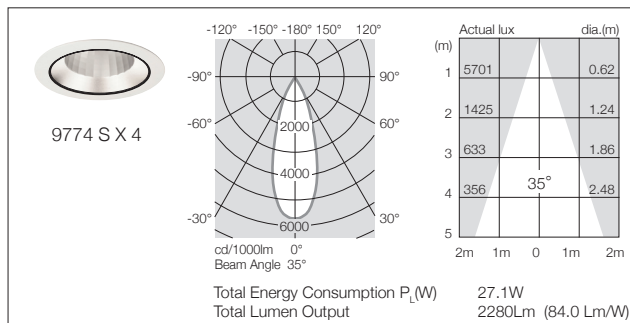
350 mA  
CREE CXB  
LED



500 mA  
CREE CXB  
LED



700 mA  
CREE CXB  
LED



900 mA  
CREE CXB  
LED

