



Derungs 
LIGHT FOR PEOPLE

VIVAA

LED ROOM LIGHT &
FREE STANDING LUMINAIRE



reddot award 2015
winner

Distributed by
 **PIERLITE**



"SIMPLICITY IS THE HIGHEST FORM
OF REFINEMENT."

Leonardo da Vinci



ViVAA

A FAMILY OF LIGHTS RICH IN VARIETY.

The basic element of the ViVAA luminaire family is the exceptionally flat lamp body, which provides an unforgettable light experience. The three models – surface mounted, pendant and Ring – provide individual solutions for a diversity of projects. Various diameters, performance packages and additional equipment options expand the possibilities for design. The ViVAA Free free standing luminaires incorporate excellent lighting technology in a design piece of furniture.



reddot award 2015
winner

ViVAA SUSPENDED LUMINAIRE



Ø 400 mm

Ø 600 mm

Pendulum length 300 / 500 mm

ViVAA SURFACE MOUNTED LUMINAIRE



Ø 400 mm

Ø 600 mm

ViVAA Ring SUSPENDED LUMINAIRE



Ø 600 mm

Cable suspension max. 1 500 mm

ViVAA accessory LAMP SHADE



Ø 400 mm

Ø 600 mm



Press & Clip technology

in addition to suspended luminaire

Flexibility for every project.

The restrained design and the variety of models provide the right answer for your project. The ViVAA Ring's cable suspensions are continuously adjustable. The ViVAA pendulum version is available with two different cable lengths.

Economically efficient.

High-performance LEDs with up to 11 000 lm and special glare-suppression technology ensure strong light output with a comparatively small lamp diameter. This means that fewer luminaires are required.

The latest light technology.

Depending on the application, the luminaires can be equipped with various light colors: 3000 K for living areas, 4000 K for workplaces, and VTL biodynamic light management 3000 K to 6500 K.

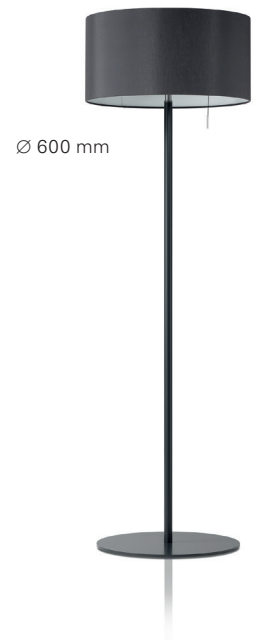
Aesthetic highlight.

The seamless lamp body of polished stainless steel is just 36 mm tall and floats formally in the room. The ViVAA Ring integrates the converter into the canopy.

ViVAA Free Wood
FREE STANDING
LUMINAIRE



ViVAA Free Metal
FREE STANDING
LUMINAIRE

**It's my light.**

The first homelike free standing luminaire with biologically effective light that awakens the spirits of the morning and sends you to bed in the evening.

The proven VTL light management system is integrated within the luminaire and naturally supports the circadian rhythm of humans.



How are inviting atmospheres created?

Reception and waiting areas are your company's first chance to make an impression. The large indirect component of ViVAA luminaires uses the ceiling to reflect light. This allows ViVAA mounted luminaires to make lower or smaller rooms feel visually more spacious.

The ViVAA Ring is especially suitable for large, prestigious rooms. The 150 cm long cable suspension can be continuously adjusted, which even allows use on sloping ceilings.

How does lighting contribute to fall prevention?

Especially in areas where the elderly or disabled are on the move, fall prevention is a major consideration. Good light helps prevent misjudgments and resulting falls. Especially in healthcare, uniform, shadowless general lighting improves perception and safe movement. Thanks to their direct and indirect light component, ViVAA luminaires make for glare-free, even lighting. This creates a relaxed, positive atmosphere.





How does light affect performance?

Mans sense of time aims for greater well-being, whether at work or during leisure. Pleasant, glare-free light that has the quality of daylight supports commitment and promotes employees sense of well-being. This pays for itself quickly. Especially as ViVAA requires comparatively fewer lights thanks to its unique technology and anti-glare systems. For comfortable light at monitor-based workplaces there are also ViVAA mounted and suspended luminaires with CDP microprism cover and 4 000 K light color.



Why do people need light?

Sunlight determines our existence: It affects our hormonal and metabolic processes, sets our internal clock, and gives rhythm to life. In interior spaces, light management systems — called Human Centric Lighting — replace the missing daylight.

What is Visual Timing Light ?

The Visual Timing Light (VTL) management is a proven system for daylight simulation. It was developed over ten years ago for senior care to support the sleep-wake rhythm of dementia patients and the bed-ridden. VTL restores structure to the day by prompting activity and rest phases.

Where is biologically effective light a good idea ?

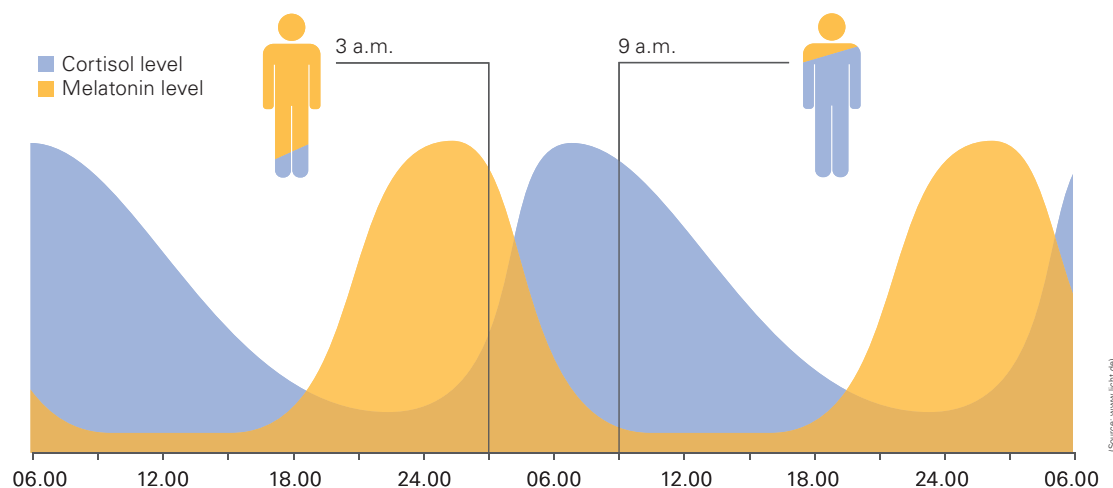
It is a good enhancement when rooms lack adequate daylight. Biologically effective, or so-called biodynamic light, can be used in recreation areas, corridors, nursing oases, geriatrics and intensive care.

How does VTL work ?

VTL can be implemented in combination with Derungs DALI controller. It simulates the course of daylight by automatically changing the intensity and color of indirect general lighting. The firmly defined, time-dependent control curve is based on scientific finding and evaluations. The light color varies between 6500 K (similar to daylight, activating) and 3000 K (warm white, relaxing).

This process comes closest to natural light and is perceived as pleasant. It stimulates the body's own metabolic processes, which supports wellbeing and recovery in a natural way.

You can learn the full background details on the Internet or through a personal consultation.





VISUAL TIMING LIGHT.
LIFE NEEDS LIGHT.



ViVAA

ViVAA overview

• VTL

- Visual Timing Light (VTL) – Biodynamic light
- Biologically effective light management system
 - Automatically time-controlled lighting
 - Stimulation or calming
 - Positive effect on health and well-being

• Control options

- ON / OFF
- DALI – Integration into the Derungs light management system
- Switch Dim – Dimming via a typical button without a light management system



• Glare protection

CDP microprism cover:

- Optimal homogeneous light distribution and excellent glare protection
- Glare suppression for workstations in accordance with EN 12464-1

White acrylic satinized cover:

- Homogeneous light distribution, good glare suppression and extremely high luminaire efficiency
- The cover takes on graceful forms even when the luminaire is switched off

ViVAA suspended luminaire accessories

Lamp shade

- Two lamp shade fabrics available from stock
- Other qualities and colors on request
- Easy attachment through Clip technology
- Already installed suspended luminaire can be upgraded later



Shantung beige



Landorus grey

ViVAA LAMP SHADE ACCESSORY

Color	ORDER NO.	for ViVAA diameter	Ø Lamp shade	Height Lamp shade
Shantung beige	D15.798.000-00722261	Ø 400	Ø 450	150 mm
Shantung beige	D15.802.000-00722267	Ø 600	Ø 650	180 mm
Landorus grey	D15.797.000-00722256	Ø 400	Ø 450	150 mm
Landorus grey	D15.801.000-00722264	Ø 600	Ø 650	180 mm

Energy-efficient

thanks to new LED technologies
up to 111 lm/W

High light output

low installation costs due to small
number of luminaires

Innovativ hanging system

quick mounting by just one person



reddot award 2015
winner



Seamlessly decorative ring
modern, high-quality design

Smart flat design
discreet elegance in harmony
with the interior

EN 12464-1
glare suppression for workstations by
CDP microprism cover

ViVAA PENDANT

with PENDANT MODEL only

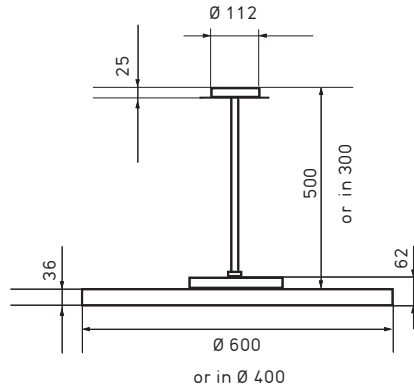
Length of pendant tube
choice of 50 cm or 30 cm



Ø 400 mm



Ø 600 mm



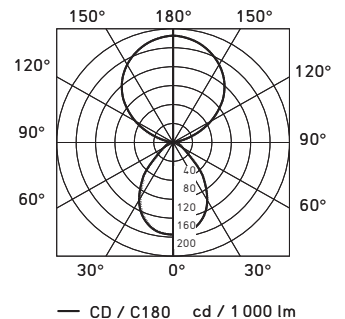
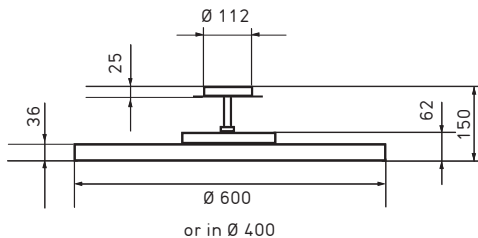
ViVAA MOUNTED



Ø 400 mm



Ø 600 mm



ViVAA C 600

ViVAA compact

- Extremely low decorative ring, only 36 mm in height
- Economical due to optimal efficiency (up to 11 000 lm)
- Due to a closed construction it is simple to clean and also hygienic
- Easy to assemble and maintenance free
- Optimal light conditions
- Mounted version or pendant, diameter 400 or 600 mm
- Various light colors and control tools
- Special edition: Canopy in stainless steel

ViVAA - technical features

Luminous flux	5 300 - 13 400 lm
Light yield	up to 153 lm/W
Light color	3000 K / 3000 K – 6500 K / 4000 K on request*
Color rendering	Ra >80
Protection class	I
Standards	EN 60598-1; EN 60598-2-25
IP Protection class	IP20

Features

- DALI control system
- Daylight simulation
- Suitable for use as emergency lighting
- Can be assembled on ceilings with an incline of +/- 5°



-10% / +20% tolerance

ViVAA MOUNTED VERSION DALI – 400mm								
Name	ORDER NO.	Diameter	Pendant length	Diffuser	Light color	Output	Luminous flux	Controls
ViVAA C 400 (DALI)	D15.529.000	400 mm	Surface mounted (150mm)	Satinized	3000 k	54 W	5500 lm	DALI
ViVAA C 400 (DALI)	D15.673.000	400 mm	Surface mounted (150mm)	Satinized	4000 k	54 W	5500 lm	DALI

ViVAA PENDANT VERSION DALI – 400mm								
Name	ORDER NO.	Diameter	Pendant length	Diffuser	Light color	Output	Luminous flux	Controls
ViVAA C 400 (DALI)	D15.574.000	400 mm	30 cm	Satinized	3000 k	54 W	5500 lm	DALI
ViVAA C 400 (DALI)	D15.517.000	400 mm	50 cm	Satinized	3000 k	54 W	5500 lm	DALI
ViVAA C 400 (DALI)	D15.688.000	400 mm	50 cm	Satinized	4000 k	54 W	5500 lm	DALI
ViVAA C 400 (DALI)	D15.647.000	400 mm	50 cm	CDP (prismatic)	4000 k	54 W	5300 lm	DALI

ViVAA PENDANT VERSION VTL – 400mm								
Name	ORDER NO.	Diameter	Pendant length	Diffuser	Light color	Output	Luminous flux	Controls
ViVAA C 400 (VTL)	D15.575.000	400 mm	30 cm	Satinized	3000 k-6500 k	64 W	6600 lm	VTL
ViVAA C 400 (VTL)	D15.518.000	400 mm	50 cm	Satinized	3000 k-6500 k	64 W	6600 lm	VTL
ViVAA C 400 (VTL)	D15.512.000	400 mm	50 cm	CDP (prismatic)	3000 k-6500 k	64 W	6300 lm	VTL

ViVAA MOUNTED VERSION DALI – 600mm								
Name	ORDER NO.	Diameter	Pendant length	Diffuser	Light color	Output	Luminous flux	Controls
ViVAA C 600 (DALI)	D15.532.000	600 mm	Surface mounted (150mm)	Satinized	3000 k	60 W	8800 lm	DALI
ViVAA C 600 (DALI)	D15.657.000	600 mm	Surface mounted (150mm)	Satinized	4000 k	60 W	8800 lm	DALI
ViVAA C 600 (DALI)	D15.447.000	600mm	Surface mounted (150mm)	CDP (prismatic)	4000 k	60 W	8800 lm	DALI

ViVAA PENDANT VERSION DALI – 600mm								
Name	ORDER NO.	Diameter	Pendant length	Diffuser	Light color	Output	Luminous flux	Controls
ViVAA C 600 (DALI)	D15.577.000	600 m	30 cm	Satinized	3000 k	82 W	8800 lm	DALI
ViVAA C 600 (DALI)	D15.520.000	600 mm	50 cm	Satinized	3000 k	82 W	8800 lm	DALI
ViVAA C 600 (DALI)	D15.687.000	600 mm	50 cm	Satinized	4000 k	82 W	8800 lm	DALI
ViVAA C 600 (DALI)	D15.646.000	600 mm	50 cm	CDP (prismatic)	3000 k	82 W	8600 lm	DALI

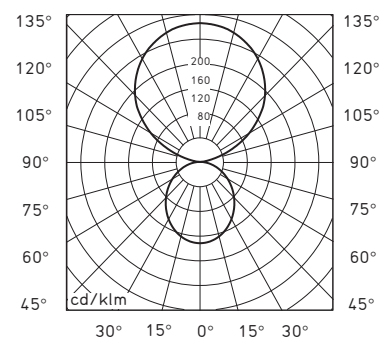
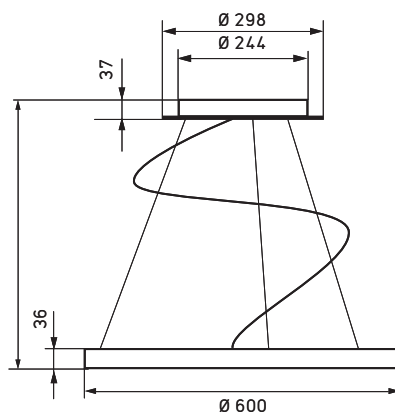
ViVAA PENDANT VERSION VTL – 600mm								
Name	ORDER NO.	Diameter	Pendant length	Diffuser	Light color	Output	Luminous flux	Controls
ViVAA C 600 (VTL)	D15.578.000	600 mm	30 cm	Satinized	3000 k-6500 k	99 W	11000 lm	VTL
ViVAA C 600 (VTL)	D15.521.000	600 mm	50 cm	Satinized	3000 k-6500 k	99 W	11000 lm	VTL
ViVAA C 600 (VTL)	D15.515.000	600 mm	50 cm	CDP (prismatic)	3000 k-6500 k	99 W	10700 lm	VTL

ViVAA Ring



Ø 600 mm

variable pendant length
Up to 500 mm



ViVAA Ring in brief

- Decorative ring only 36 mm high
- High light performance (up to 13 000 lm)
- Economical thanks to high energy efficiency
- Easy to clean thanks to its closed design
- Quick to install and maintenance free
- Various light colors and optimal lighting characteristics
- Individually height adjustable
- Integrates into light management systems

ViVAA Ring technical specifications

Light distribution	Direct light: 63% Indirect light: 37%
Total luminous flux	8 800 – 13 400 lm
Light field	up to 200 lm/W
Light color	3000 K
Color rendering	Ra > 80
Protection class	I
Standards	EN 60598-1; EN 60598-2-25
Degree of protection	IP 20
Features	<ul style="list-style-type: none"> • DALI • Biodynamic light • Suitable for use as emergency lighting • Sensor for presence control and constant light control • Wireless controls are available on request • Installable on ceilings with a slope of +/- 15°
-10% / +20% tolerance	

ViVAA RING PENDANT VERSION VTL & DALI – 600mm

Name	ORDER NO.	Diameter	Pendant length	Diffuser	Light color	Light output	Luminous flux	Controls
ViVAA Ring C 600 (VTL)	D15.793.000	600 mm	Up to 500mm	Satinized	3000 k – 6500 k	122 W	13400 lm	VTL
ViVAA Ring C 600 (DALI)	D15.746.000	600 mm	Up to 500mm	Satinized	3000 k	83 W	9000 lm	DALI
ViVAA Ring C 600 (DALI)	D15.806.000	600 mm	Up to 500mm	Satinized	4000 k	83 W	9000 lm	DALI

Energy-efficient

thanks to new LED technologies
up to 111 lm/W



High light output

low installation costs due to
small number of luminaires



Height-adjustable wire hangers

infinitely adjusted in height
up to 150 cm



Seamlessly decorative ring

made of stainless steel



Extravagant design

light with a statement,
ideal for interior design



Acrylic satinized cover

homogeneous light distribution
and extremely high luminaire efficiency



VIVAA FREE FREE STANDING LUMINAIRES



Is biodynamic light soon becoming a mobile solution?

Yes, the new VIVAA Free free standing luminaire will be available in a flexible, mobile version. The optional VTL lighting management is integrated within the luminaire and requires no DALI control. Thanks to the Plug & Light function, the VIVAA Free is always ready for use with minimal setup required.

In senior care, the VIVAA Free is particularly suitable for those with dementia, as the light supports the daily structure in a natural way. Not just a piece of furniture with chic design for all areas of life, VIVAA Free provides superior light performance and improves quality of sleep.

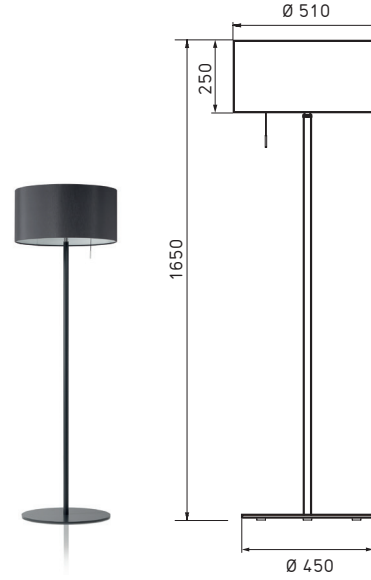
ViVAA Free Wood

- Wooden tripod
- Central sleeve made of stainless steel
- Ash stained walnut color
- Fabric shade anthracite
- Additional lampshade designs for 20 pieces or more available on request



ViVAA Free Metal

- Central tube steel in anthracite
- Powder coated RAL 7024
- Fabric shade anthracite
- Additional lampshade designs for 20 pieces or more, available on request



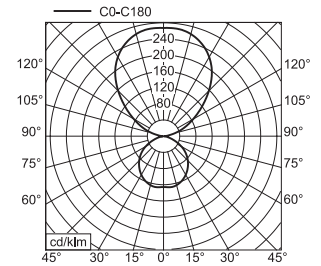
ViVAA Free free standing luminaire compact

- High light output
- Economical thanks to high energy efficiency
- Optional integrated VTL light management system
- Quick assembly and maintenance free
- Optimal lighting properties
- Dimmable (3 000 K version)

ViVAA Free technical features

Luminous flux	4400 lm**
Light yield	up to 98 lm/W**
Light color	3 000K – 6 500K VTL or 3 000 K**
Color rendering	Ra > 80
Protection class	I
Standards	EN 60598-1; EN 60598-2-25
IP Protection class	IP 20

- Optional Features
- „Plug and Light“ system
 - Mobile biodynamic light



ViVAA Free

** -10% / +20% tolerance

VIVAA FREE WOOD

Name	ORDER NO.	Diameter	Luminous flux	Light color	Feet screen plug	Lamp shade	Controls
ViVAA Free Wood VTL	D15.934.000-00802959	Ø 510 mm	4 400 lm	VTL (3000 -6500 K)	Stained walnut *	Anthracite fabric	CH
ViVAA Free Wood VTL	D15.947.000-00802960	Ø 510 mm	4 400 lm	VTL (3000 -6500 K)	Stained walnut *	Anthracite fabric	Schuko
ViVAA Free Wood	D15.949.000-00802961	Ø 510 mm	4 400 lm	3000 K	Stained walnut *	Anthracite fabric	CH
ViVAA Free Wood	D15.951.000-00802862	Ø 510 mm	4 400 lm	3000 K	Stained walnut *	Anthracite fabric	Schuko

* Ash-tree

VIVAA FREE METAL

Name	ORDER NO.	Diameter	Luminous flux	Light color	Feet screen plug	Lamp shade	Controls
ViVAA Free Metal VTL	D15.935.000-00802957	Ø 510 mm	4 400 lm	VTL (3000 -6500 K)	Steel, RAL 7024	Anthracite fabric	CH
ViVAA Free Metal VTL	D15.948.000-00802958	Ø 510 mm	4 400 lm	VTL (3000 -6500 K)	Steel, RAL 7024	Anthracite fabric	Schuko
ViVAA Free Metal	D15.950.000-00802949	Ø 510 mm	4 400 lm	3000 K	Steel, RAL 7024	Anthracite fabric	CH
ViVAA Free Metal	D15.952.000-00802956	Ø 510 mm	4 400 lm	3000 K	Steel, RAL 7024	Anthracite fabric	Schuko



www.glg.lighting

Pierlite is a registered trademark of Gerard Lighting Pty Ltd ©Copyright Pierlite 2019. Gerard Lighting Pty Ltd and all directly related legal entities reserve the right to alter the specifications, designs or other features of any items herein and to discontinue any items at any time without notice and without liability.

August 2019

