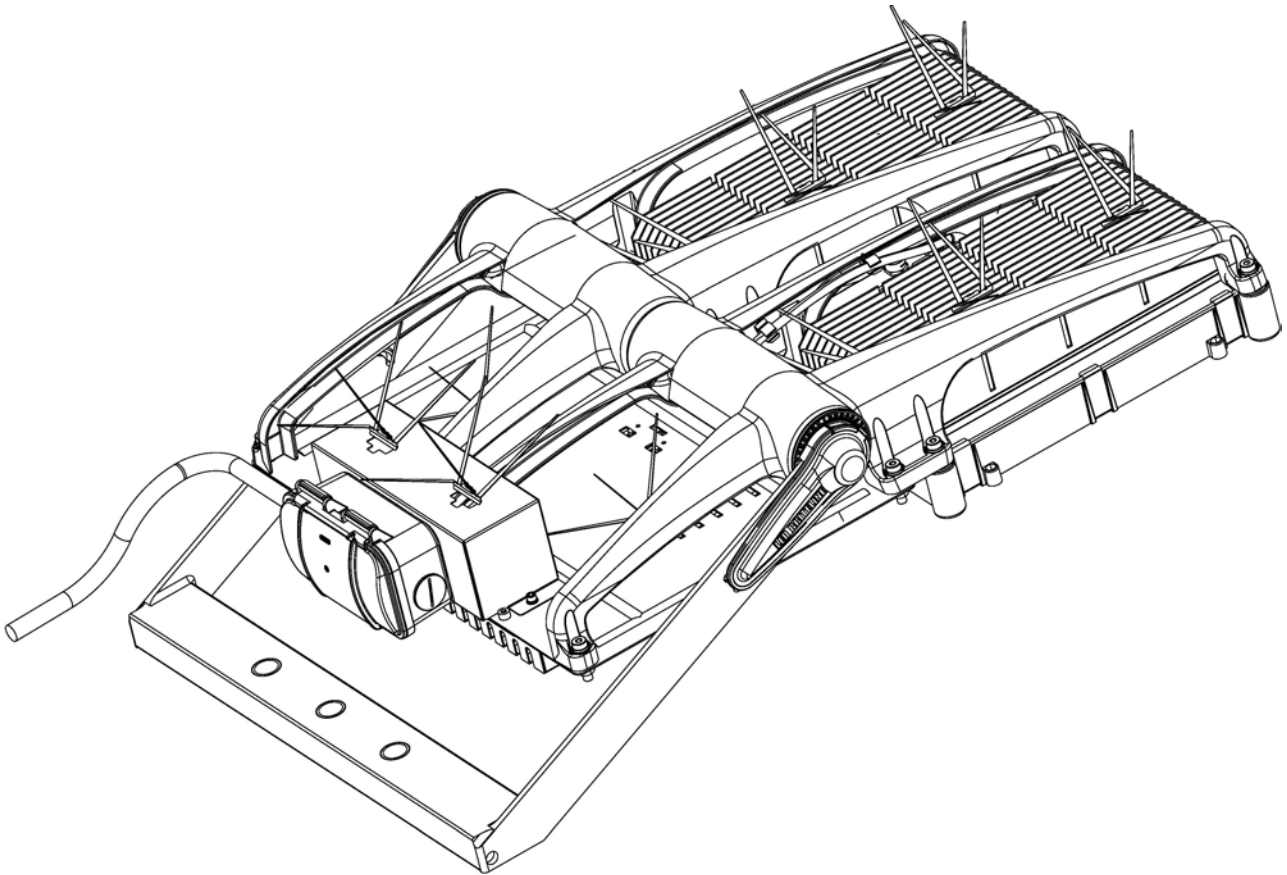


SYLVANIA

SYLVANIA
Briteline™ LED Raptor 600
(Two Module System)



Installation / Warranty Instructions

INSTALLATION / WARRANTY INSTRUCTIONS

issue date: 11/21/2017

PRODUCT BRAND - Sylvania

PRODUCT NAME / CODES Sylvania Briteline LED Raptor 600 - SR2H757A1EL, SR2H757A2EL, SR2H757A3EL
SR2H757A1FL, SR2H757A2FL, SR2H757A3FL

PLEASE READ THESE INSTALLATION INSTRUCTIONS CAREFULLY BEFORE INSTALLING OR MAINTAINING THIS EQUIPMENT. THE PRODUCT IS DESIGNED FOR INSTALLATION AND MAINTENANCE IN ACCORDANCE WITH RELEVANT AUSTRALIAN STANDARDS (AS3000) AND LOCAL REGULATIONS (WHERE APPLICABLE), BY AN AUTHORISED AND LICENCED ELECTRICIAN. THE INSTALLATION INSTRUCTIONS WERE CORRECT AT THE TIME OF PRINT. TO REFLECT CHANGES IN TECHNOLOGY AND AUSTRALIAN STANDARDS; GERARD LIGHTING RESERVES THE RIGHT TO AMEND THE INSTRUCTIONS WITHOUT NOTICE. UPDATED GUIDELINES CAN BE FOUND ON THE RELEVANT BRAND WEB SITE. **IMPORTANT** - THE PRODUCT MUST BE MAINTAINED AND OPERATED IN ACCORDANCE WITH THE MANUFACTURER'S INSTRUCTIONS, FAILURE TO DO SO MAY DAMAGE THE PRODUCT AND SERVICES. IT IS STRONGLY RECOMMENDED THAT THIS IMPORTANT NOTE BE COMMUNICATED TO THE OWNER AND OR OPERATOR OF THE INSTALLATION AT THE TIME OF SITE COMMISSIONING. GOOD PRACTICE DOES NOT RECOMMEND THE 24/7 USE OF PRODUCTS WITHOUT THE APPLICATION OF SUITABLE SWITCH CYCLE INTERVALS. FURTHERMORE, WITH THE OMISSION OF NOMINATED SURVIVAL CURVES AND OR RECOMMENDED OPERATING HOURS, PRODUCT DESIGN EXPECTATIONS PROVIDE FOR A CONTINUAL DAILY USAGE OF 6 HOURS FOR RESIDENTIAL APPLICATIONS AND A CONTINUAL DAILY USAGE OF 12 HOURS FOR COMMERCIAL AND INDUSTRIAL APPLICATIONS. ALL PRODUCTS MUST BE THOROUGHLY CLEANED ON A REGULAR BASIS AT INTERVALS THAT REFLECT IN THE INSTALLATION ENVIRONMENT, ENSURING THE OPTICAL PERFORMANCE, TOGETHER WITH THE ELECTRICAL, MECHANICAL AND STRUCTURAL INTEGRITY AS DESIGNED, IS MAINTAINED THROUGHOUT THE SERVICE LIFE OF THE PRODUCT.



1. PRODUCT SPECIFICATION:

| | Raptor 600w | Raptor 600w |
|--|---|---|
| Product brand | - Sylvania | - Sylvania |
| Type of Protection | - Class I | - Class I |
| IP Rating - for interior products, the IP rating nominated is "from below the ceiling" unless specifically nominated. | - IP66 | - IP66 |
| Nominal design Voltage | - 240V | - 415V |
| Circuit wattage | - 660W | - 660W |
| Line current | - 2.7A | - 1.6A |
| In-rush current | - 110A / 800µs | - 38.4A / 800µs |
| Important – when installing electronic or HID lighting equipment, the installer must consider the in-rush start current (if any) as documented on the control gear identification label when selecting appropriate circuit controls or protective devices. | | |
| Power factor | - 0.95 | - 0.95 |
| Nominal Freq. (Hz) | - 50Hz | - 50Hz |
| Rated Minimum / Maximum Ambient Temperature | - 0° to +40° | - 0° to +40° |
| Suitable for direct mounting on flammable surfaces | - NO | - NO |
| Dimmable (if relevant refer brand web for approved list) | - YES 0-10V | - YES 0-10V |
| Installation orientation | Horizontal and vertical to 60° above horizontal | Horizontal and vertical to 60° above horizontal |
| Designed application | Exterior Use only, refer to Section 6A. | Exterior Use only, refer to Section 6A. |
| Rated average lamp life | 51,000 hours L90 B10 | 51,000 hours L90 B10 |
| Weight | 25Kg | 25.5Kg |
| Maximum projected area of the floodlight | 0.14m ² | 0.14m ² |
| Maximum Distance from Lit Object | - 5M | - 5M |

2. APPROVALS: The RCM marking of this product applies to AS/NZS CISPR15 (EMC) "Limits and methods of measurement of radio disturbance characteristics of electrical lighting and similar equipment". This product is designed to conform to AS/NZS60598.1:2013 "Luminaires, general requirements and tests", AS/NZS60598.2.5:2002 "Luminaires - Particular requirements - Floodlights"

3. STORAGE: Prior to installation products are to be stored in cool and dry conditions.

4. APPLICATION: The installation application and orientation of the product is designed in accordance with the nominated product IP rating, class designation and these installation instructions. Installation environments and operating conditions beyond these instructions are not recommended.

5. INSTALLATION / GENERAL: Installation of the product is to be completed by an authorized and licensed electrician, in accordance with these instructions, relevant Australia standards and local regulations (where applicable). Termination of product wiring, together with the installation of the product must be in a manner and orientation that maintains the integrity of the designated IP rating of the product For electronic control equipment (when supplied) DO NOT MEGGER between A and N.

6. INSTALLATION / SPECIAL CONDITIONS (relevant only for products approved for such an installation):

(a) products installed in high wind environments must have suitable installation / fastening methods applied to ensure the product's mounting points are not damaged through, corrosion, constant vibration and or movement. Exterior products are designed with precise vertical aiming limits, which should not be exceeded. Any vertical floodlight aiming requirements should be specifically validated in writing with the relevant brand before consideration. Product has been tested and compliant to AS/NZS60598.2.5:2002 Region C, Terrain Category 2 Wind Loading, for wind speeds up to 250Km/H at a mounting height of 20m, after such an occurrence the luminaire may require re aiming to original lighting design. For areas outside of this scope, requirements should be specifically validated in writing with the relevant brand before consideration

For luminaires located in Wind Region A and mounted as per table below, no re aiming will be required.

Wind Region A

| | |
|--|--|
| Terrain Category and installation height | 10m maximum for Terrain Category 2 20m maximum for Terrain Category 2.5 30m maximum for Terrain Category 3 |
|--|--|

Table above measured to AS/NZS1170.2:2011 "Structural Design Actions – Wind Actions"

(b) products installed in corrosive or salt laden environments require special consideration and such; specific product selection, inclusive of suitable fastening methods and extensive ongoing maintenance of products installed in these environments require professional advice. It is essential that all aspects of the product selection, material specification and maintenance are specifically designed for such use and a cleaning program be adopted that maintains the design integrity of the product.

7. MAINTENANCE:

(a) The supply must be isolated before opening or accessing the luminaire. Product maintenance is IMPORTANT and is critical to the products designed performance. The product is to be maintained in accordance with the manufacturer's instructions. For the latest product maintenance guides please go to relevant brand web site. Gerard Lighting is not responsible for any product not maintained in accordance with the recommended procedure or intervals. **(b) lamps (where provided):** The product is designed with the supplied (LEDs) / LAMP/s and it is strongly recommended that any LAMP / (LEDs) changes (if any) be made in accordance with the type, colour and brand supplied. For recommended LAMP / LED maintenance or operating guides (inclusive of recommended product switch cycles and mandatory run-in procedures for HID and Fluorescent lamps when used with dimming circuits), Gerard Lighting recommends the application of the lamp manufacturer's operating guidelines, which can be found on manufacturer's website. Gerard Lighting is not responsible for the product performance of alternative lamp/s used. As a member of FluroCycle, we encourage recycling of lamps and components. **(c)** Luminaire must be kept clear of foreign matter – buildup of debris will degrade performance and void warranty. **(d) Do not use high pressure cleaners.** To maintain peak optical performance, glass shall be wiped down with a damp cloth. Do not use any abrasives or chemicals. **(e) for products supplied with glass visors or covers,** do not operate the product with a damaged visor or cover; it is recommended the product be turned off, area surrounding the product vacated and the damaged glass replaced by a professional installer immediately.

8. WARRANTY INSTRUCTIONS: For the purpose of warranty claims (if any) the following instructions apply:

Warranty components-Briteline LED Raptor two module, (identified as the Identified as LED and Driver only).

Warranty period-The above components are provided with a warranty of FIVE (5) year/s or 20,000 hours of operation (which ever arrives first) against manufacturing defects or failure to perform to specifications for products installed by an authorised installer in accordance with the manufacturer's installation instructions and which have not been subject to incorrect operation or maintenance, unauthorised modification or damage arising from any intervening cause.

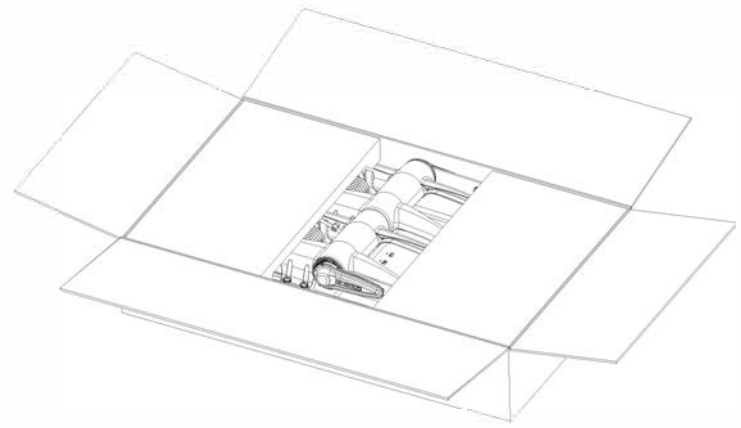
Warranty reference-The warranty reference date commences from the date of purchase.

Warranty point of contact – Gerard Lighting Pty Ltd, 96 Gow Street Padstow NSW 2211, phone T 02 9794 9300 contact – Gerard Lighting After Sales Support.

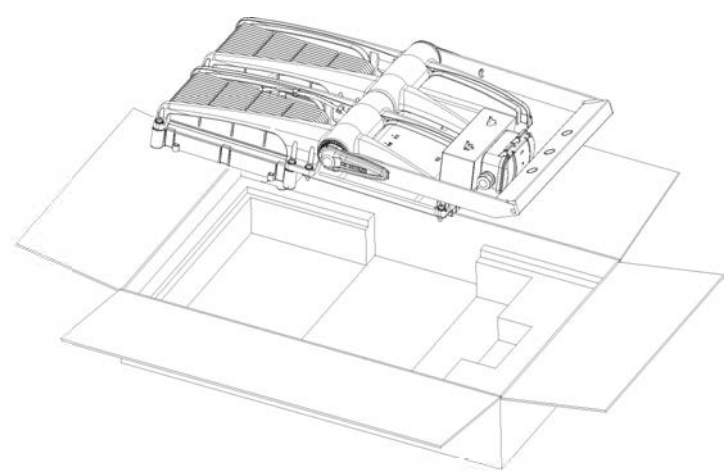
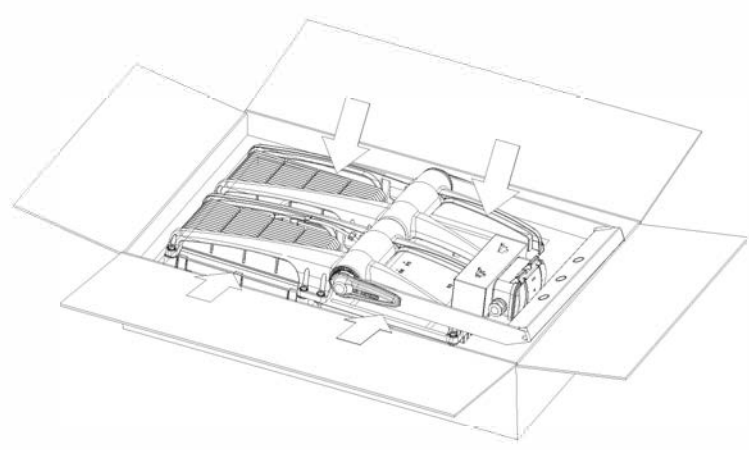
Warranty claim procedure – For the purpose of making a claim the customer must:

1. Contact the "point of contact" above and upon provision of proof of purchase the customer will receive a goods return advice (GRA) number. 2. At the customer's expense, collect and return the goods to the "point of contact" with the issued GRA number.
 3. Upon receipt of the goods, Gerard Lighting will review the claim and if found to be accepted, Gerard Lighting will return a replacement product to the customer to install at the customer's expense. Alternatively if the claim is rejected, the customer may request the return of the goods at their expense.
- Consumer Contracts** - The benefits to the customer given by the Gerard Lighting warranty are in addition to other rights and remedies of the customer if the goods are the subject of a Consumer Contract under the Australian Consumer Law. In that event the following statement is required to be brought to the Consumer's attention:- *Our goods come with guarantees that cannot be excluded under the Australian Consumer Law. You are entitled to a replacement or refund for a major failure and for compensation for any other reasonably foreseeable loss or damage. You are also entitled to have the goods repaired or replaced if the goods fail to be of acceptable quality and the failure does not amount to a major failure.* **Limitation of Liability** – if the goods are not purchased by the customer under a Consumer Contract within the Australian Consumer Law then but not otherwise;- (a) the Company is not liable in tort for any loss or damage suffered by the customer or by any third party; and (b) in no circumstances is Gerard Lighting liable to the customer or to any third party for any loss of profits, loss of anticipated savings, economic loss or interruption of business or for any indirect or consequential loss (Consequential Loss). **Terms of Sale** – these Warranty provisions are in substitution for any inconsistent provisions in the Gerard Lighting Terms and Conditions of Sale in so far as they apply to the Warranty components.

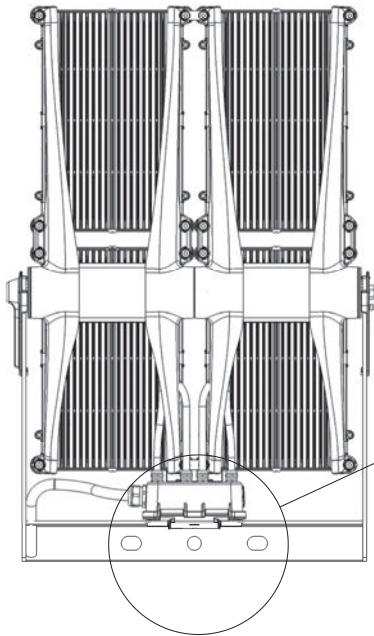
Remove from carton Carton Weight 29.5kgs



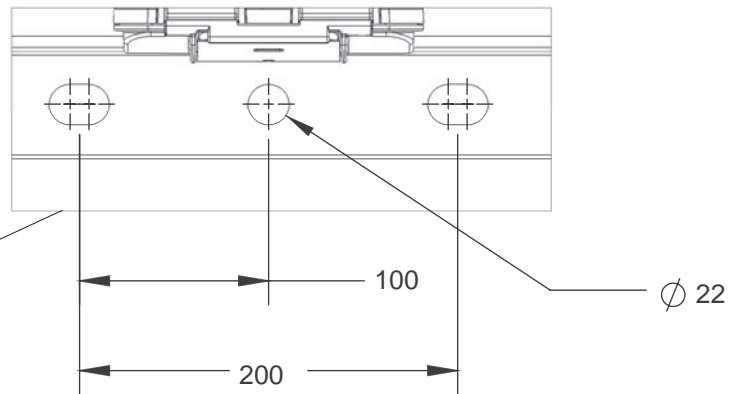
Lifting point indicated



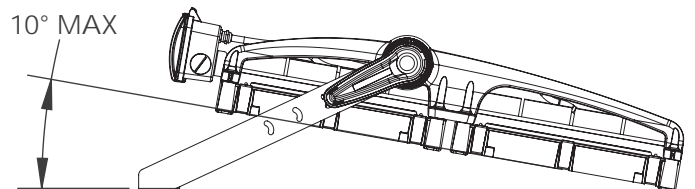
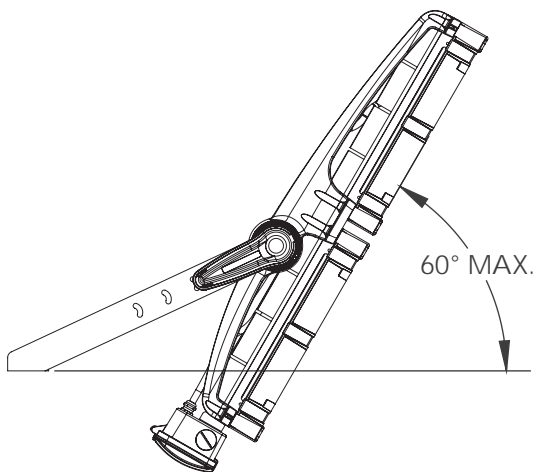
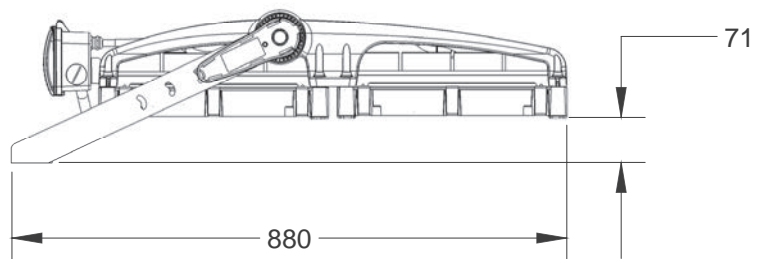
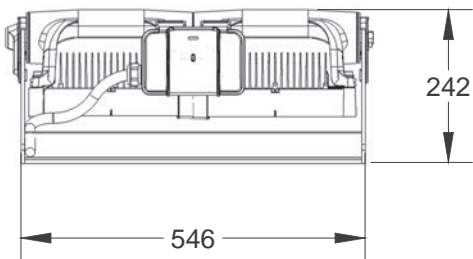
Fixture Dimensions

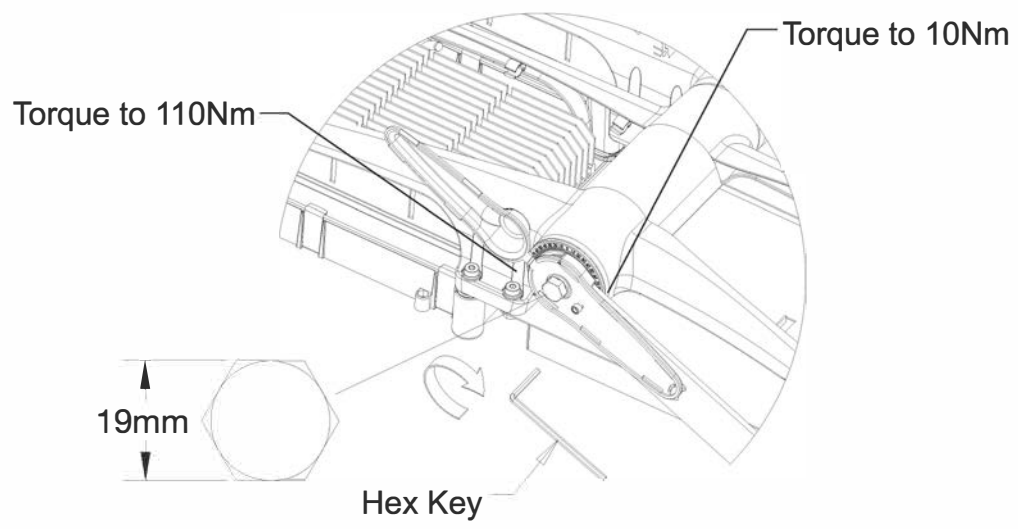
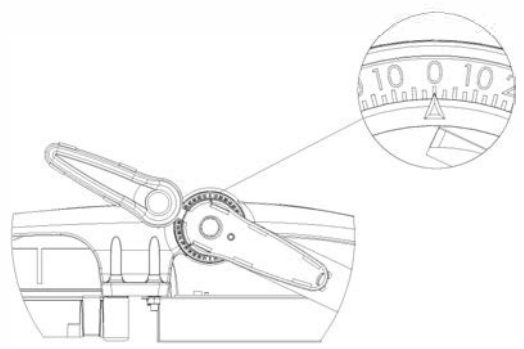
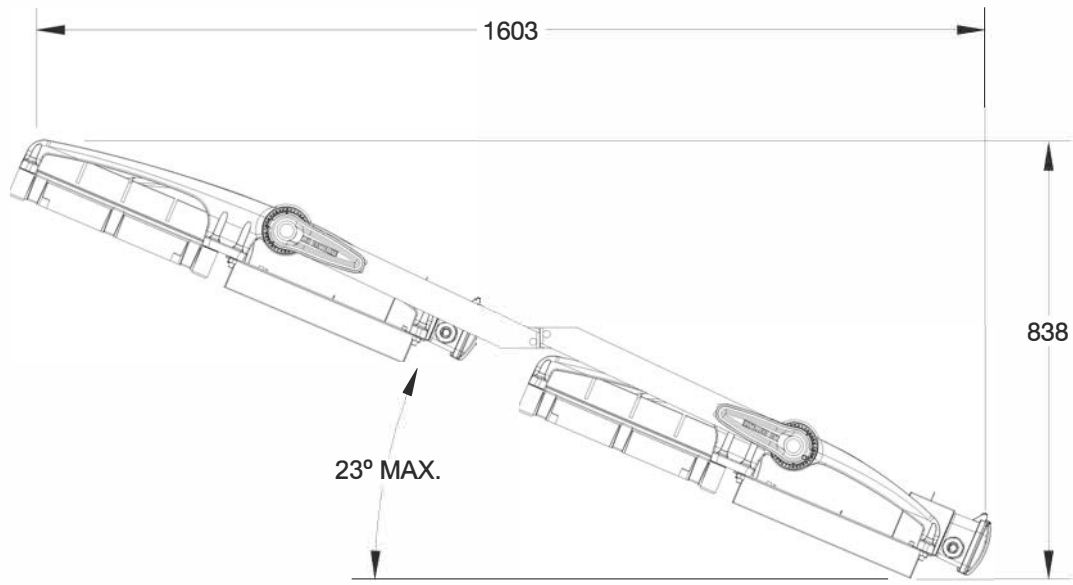


Details for Standard Trunnion Arm



Mounting method to be determined by installer.
Heavy duty trunnion arm mounting hole $\varnothing 19$ Nom



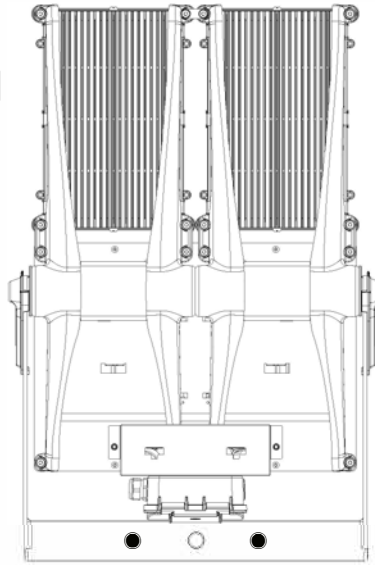


LA SERIES GEARTRAY 240V WIRING INSTRUCTIONS

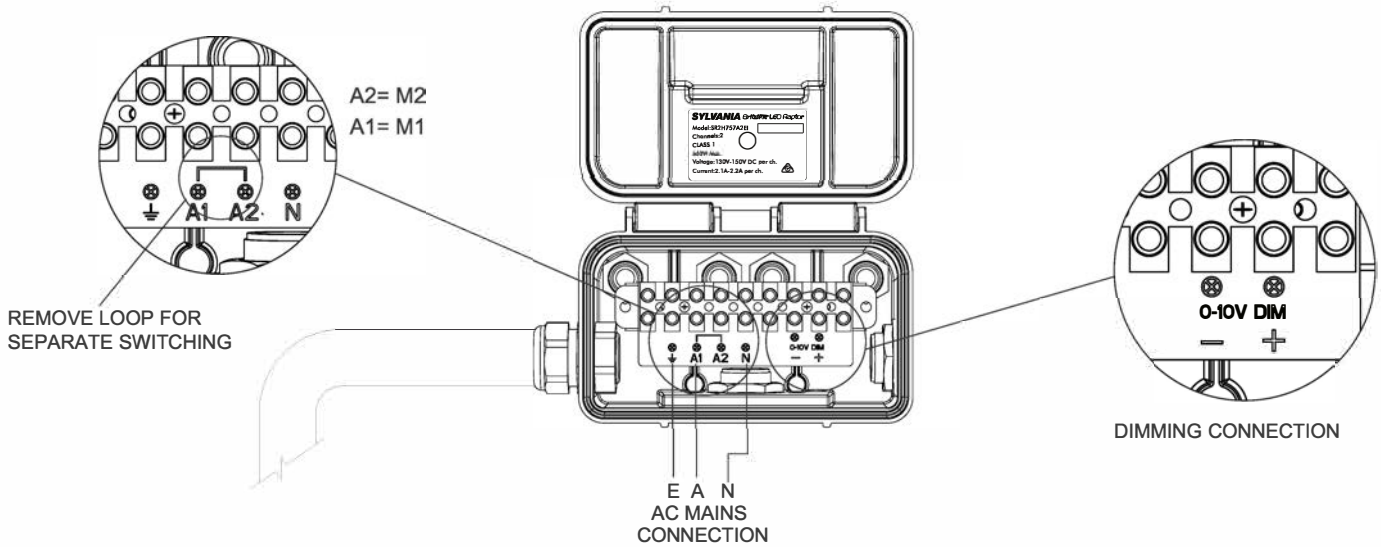
Must be wired in accordance
 with the Australian Standard Wiring Rules

M1

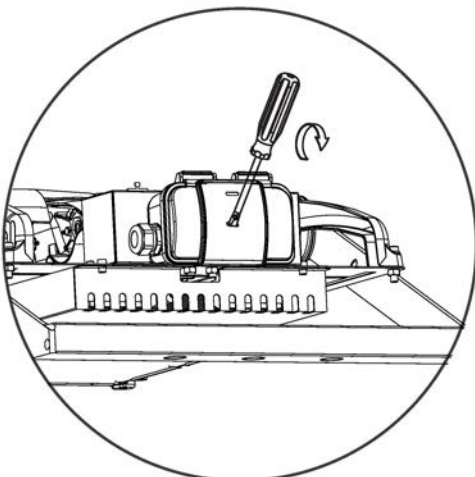
M2



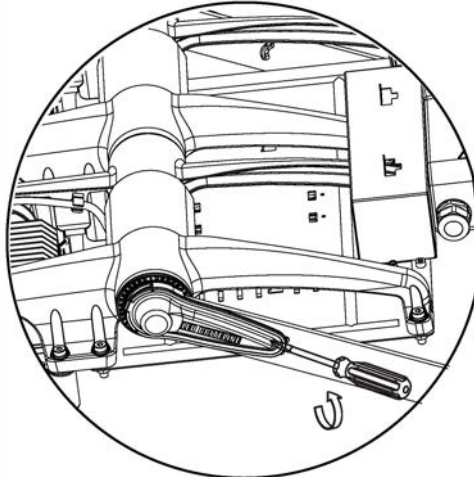
Junction Box Wiring Detail



Junction Box Access

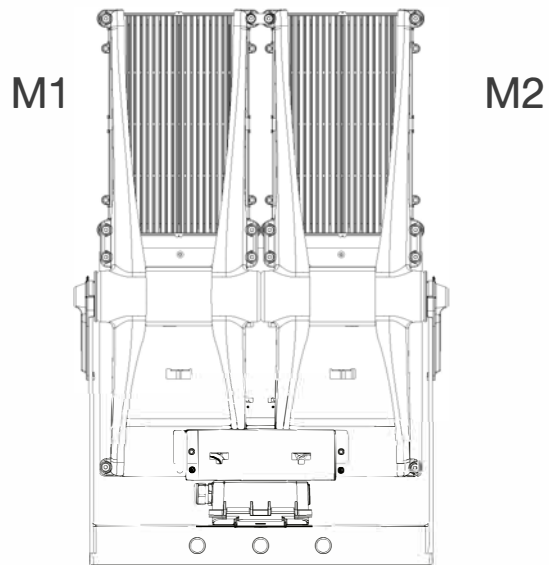


Cover Access

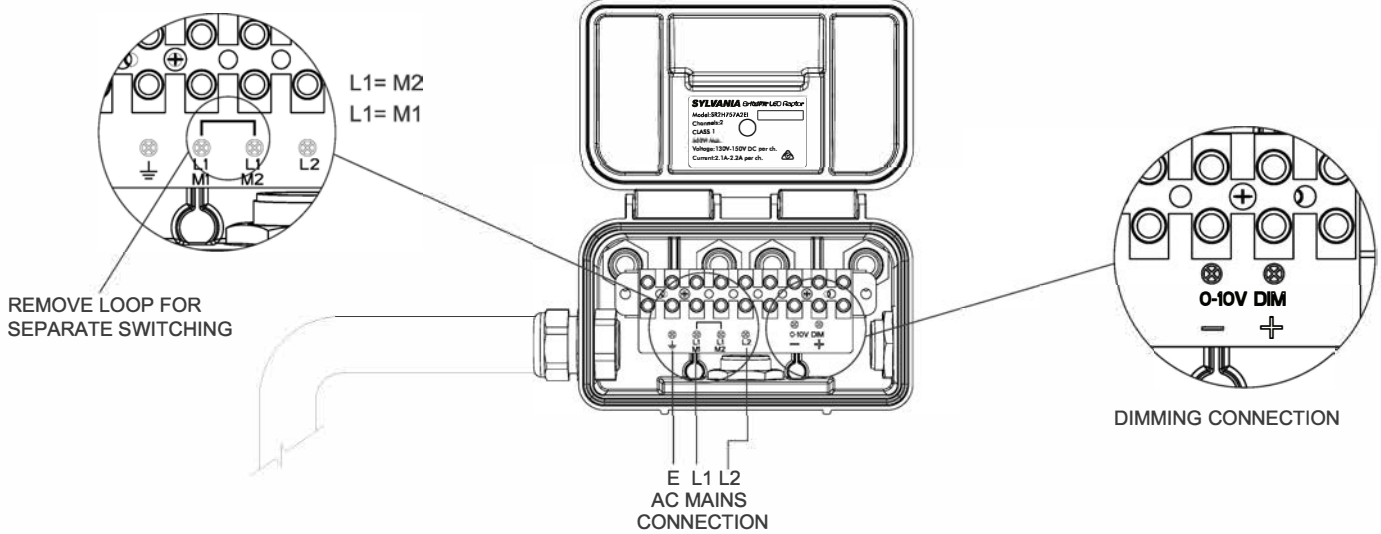


LA SERIES GEARTRAY 415V WIRING INSTRUCTIONS

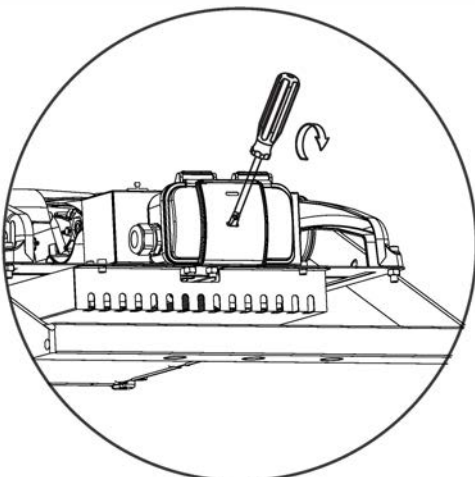
Must be wired in accordance
 with the Australian Standard Wiring Rules



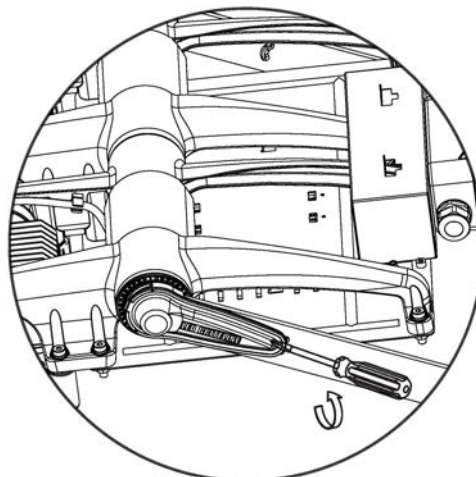
Junction Box Wiring Detail



Junction Box Access



Cover Access

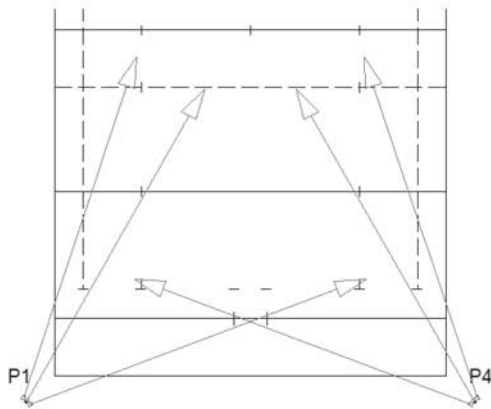


Aiming

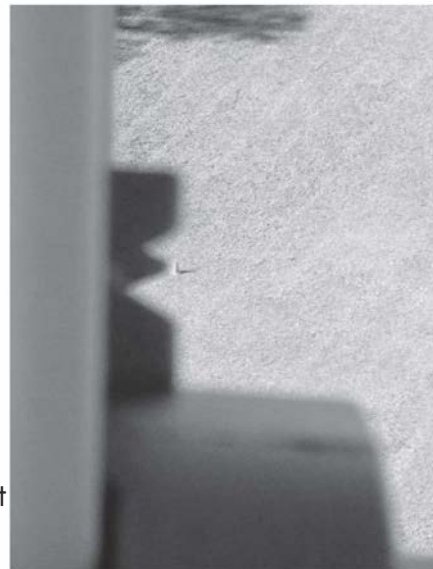
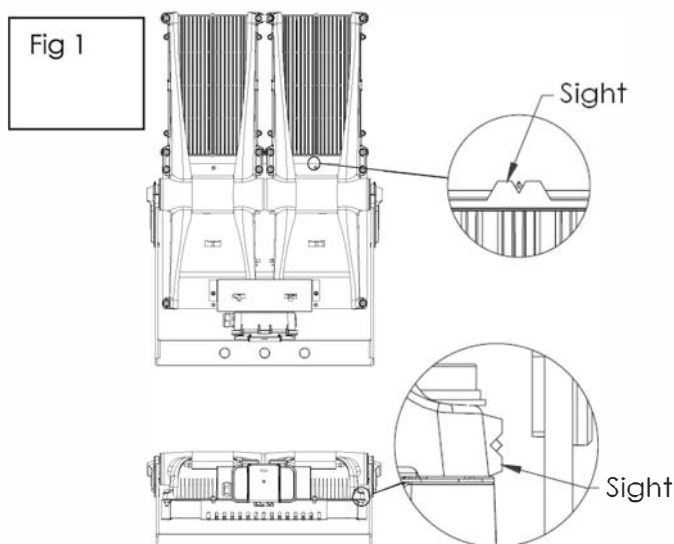
There are 2 ways to set the correct aiming. When mounted on poles, it is recommend that for best accuracy the aiming is done after the poles and floodlights have been erected and have been allowed to settle into their installed position.

Method 1 – with inclinometer

1. Place markers, (visible from floodlight), at reference points according to lighting design.



2. To set the horizontal rotation (azimuth, this is generally set first):
 - a. Slightly loosen/tighten the torque on the trunnion bracket bolt so the floodlight can be rotated while the weight is still held securely.
 - b. Unclip the plastic bolt head caps from the two side adjustment bolts (if necessary). Slightly loosen/tighten the torque on the side bolts (19mm) so the floodlight can be tilted while the weight is still held securely.
 - c. Rotate in azimuth, and tilt up/down the elevation of the floodlight to enable the sighting of the appropriate marker through one of the v-notch and post sights provided at various locations on the housing (Fig 1). Other straight sides/edges/heat sinks can also be used to line up the marker.



- d. Tighten the trunnion bracket mounting bolt to the required torque (by others) so that floodlight will no longer rotate.
 - e. The azimuth angle can be marked for future reference by marking a line in the cross arm along the back and/or front of the trunnion bracket foot (without damaging galvanising).
3. To set the tilt angle (elevation):
- a. The tilt is adjusted using the front glass as a reference plane. Attach an accurate inclinometer to indicate tilt of the glass according the lighting design. Avoid the irregular edges of the modules. Note, when the glass is horizontal, the built-in protractor will indicate zero.
 - b. Tighten side bolts (19mm) so that the floodlight will no longer tilt (110 nm).
 - c. Tighten the safety side screws (5mm Hex - 10 nm).
 - d. The tilt angle can be marked for future reference by writing in the box provided on the type label near the side bolt.
 - e. Clip on the plastic bolt covers.



Note regarding the built-in protractor:

This actually indicates the angle of the glass with respect to the trunnion bracket, and not necessarily the true horizontal. Its reading relies on the levelness of its mounting surface being truly horizontal for the actual tilt of the floodlight to be correctly indicated. It is for this reason that it is not recommended that the built-in protractor is used for accurate aiming. It is for approximate aiming only.

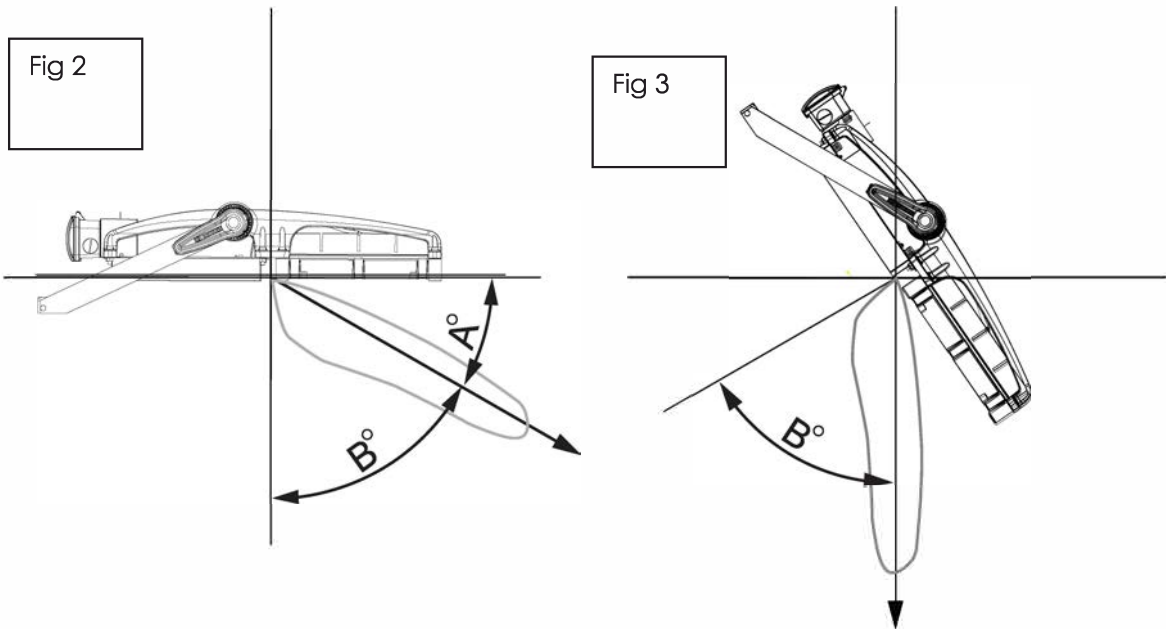
Note regarding a lighting design with an asymmetric optic:

The lighting design will normally list the tilt angle of the floodlight with respect to the downward vertical (nadir). Depending on the format of the photometric data used, the design can present the tilt angle is one of two ways:

- 1. The tilt of the glass, where a typical design would have tilts of 0-10 degrees (Fig. 2), or*
- 2. The tilt of the peak intensity (or similar reference direction), where a typical design would have tilts of 60-70 degrees (Fig. 3).*

The latter type is generally preferred as the aiming arrow (vector), and thus the aiming points used by the design will correspond to where the peak intensity is directed. Where a reference direction angle is used, it is necessary know the difference between this angle and the nadir (B° , see Fig 3). This should be noted in the design schedules, and it can be different for each beam type, e.g. NB/60°.

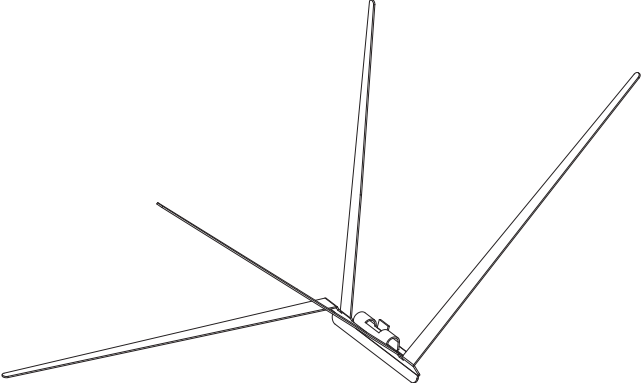
For example, a Raptor using an asymmetric Narrow Beam A2 reflector type (with a $B=60^\circ$ offset) that requires a tilt of 66° should have the glass tilted $66-60=6^\circ$. Tilts can be negative.



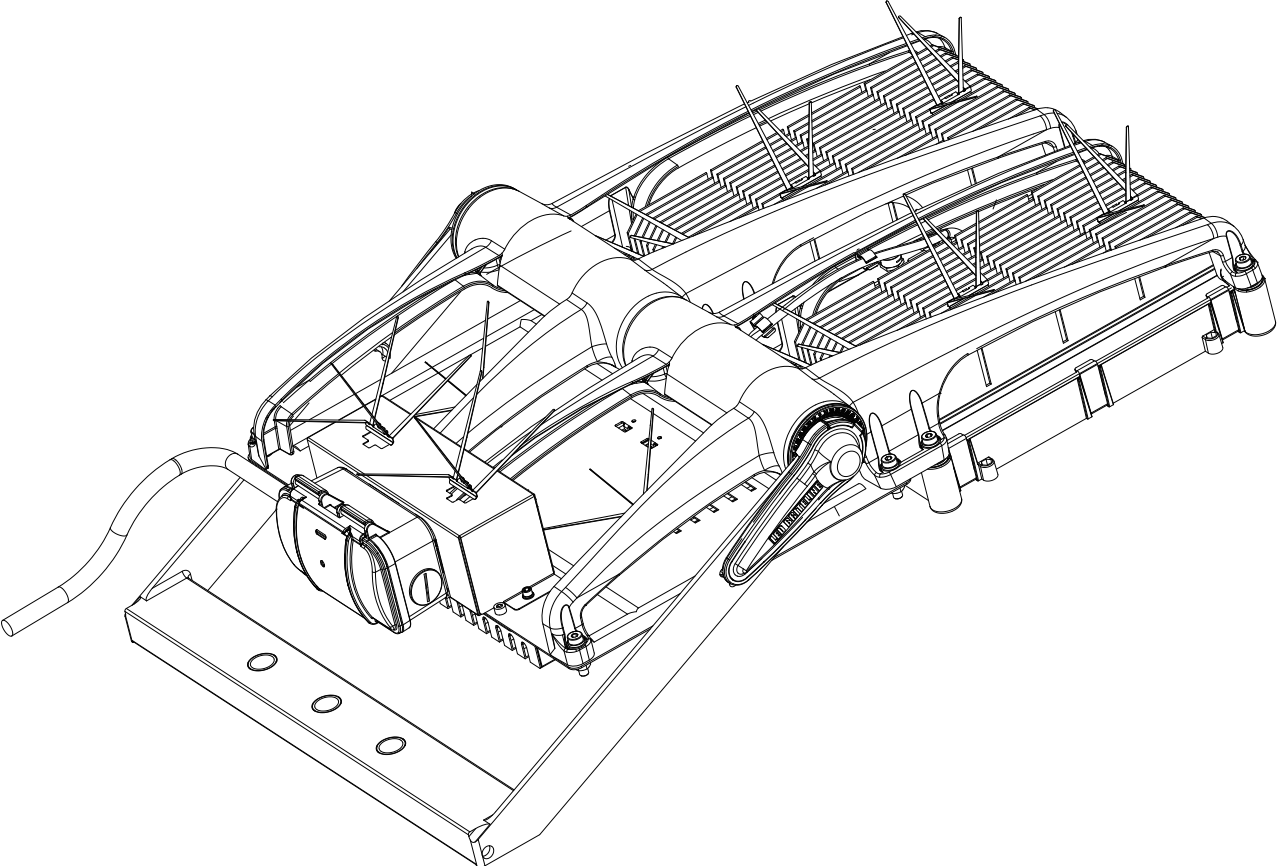
Bird Spike Installation

(Include in carton)

Fin Clip : 10pieces



Recommended layout



SYLVANIA

SYLVANIA
Briteline™ LED
Raptor 600