



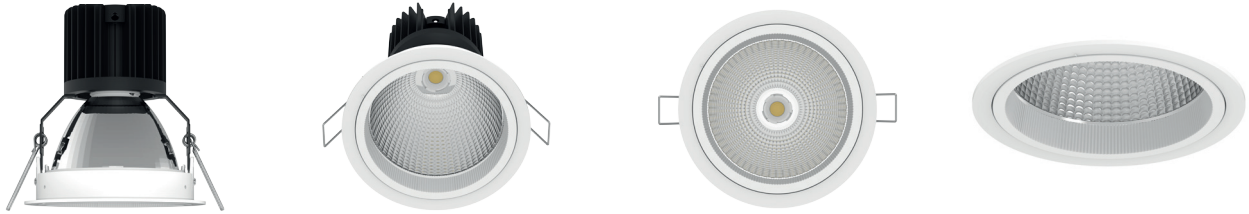
JAX SERIES 2

Range Of LED Downlights

JAX Downlight Series combines a unique blend of form and function by providing lighting designers with extremely versatile luminaires and the ultimate in efficient performance. With a range of sizes and wattages the entire family blends with each other for a seamless look and the sleek rebated bezel reduces glare.

JAX SERIES 2

Range of LED Downlights



Features

- Constructed with a diecast bezel and drop forged heatsink
- Reflectors are anodised aluminium
- Reflector optics standard 40°
- Cree CXB 95+
- Available in 3000K & 4000K colour temperature
- Quick and Easy – installation
- Dimmable – refer driver platform for options
- 50,000 Hours (L70)
- One of a family of 4 trim sizes (JAX Series 1-4), 10-54 wattage options

Applications

- Designed for retail, food preparation, facades

Specifications

Colour Temp	3000K and 4000K
Lumen Output	See Chart
CRI	>95
Macadams Step	3 SDCM
Beam Distribution	Symmetric
Default Beam Angle	40°
Lumen Maintenance	L70 50,000hrs
Control	Remote
Dimensions	Ø135 x H:148mm
Cut Out	Ø125mm
Min Recessed Depth	178mm
Power Factor	0.9
Electrical Rating	Class III

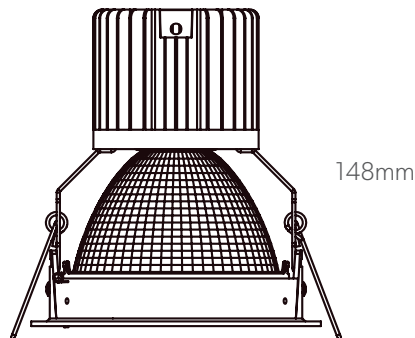
JAX SERIES 2

Range of LED Downlights

Technical Requirements

25/30W	Required Component			
	Driver		25W	30W
	DAD32F01	Non-Dim	550mA	700mA*
	DAD32D01	DALI		
DAD32V07001	1-10V			
* = Factory Default				

Body selection	Description	Wattage	Lumens Initial	Lumens Exit	mA setting
JD1353701	JAX SERIES 2 30W 3K WHITE	25	1968	1885	550
		30	2429	2238	700
JD1354701	JAX SERIES 2 30W 4K WHITE	25	2033	1948	550
		30	2510	2312	700
JD1353703	JAX SERIES 2 30W 3K SILVER	25	1968	1885	550
		30	2429	2238	700
JD1354703	JAX SERIES 2 30W 4K SILVER	25	2033	1948	550
		30	2510	2312	700



Ø135mm

Cut out Ø125mm 

