

VandaLED

A unique and tough utility fitting with energy saving lamp options.

Specification

- Quality LEDs in white 4000K
- Two energy efficient options - 12W 350mA 1225lms & 25W 700mA 2252lms
- Lower maintenance costs due to the LEDs 50,000 hour average life.
- Integral heat sink and driver are mounted to a modular gear tray for easy installation
- Pressure die-cast aluminium body in low copper LM6 alloy, with polyester powdercoat paint finish resists corrosion
- High translucency polycarbonate cover to diffuse the LED sources, giving an even light distribution
- Stainless steel cover screws are retained in the durable silicone seal which provides IP65 protection
- Versatility in installation due to the five optional cable entry points, to be drilled on site as required
- Ambient temperature, -25 °C to 40°C
- The compact, low profile housing has been tested to IK10 impact rating, making it tough and resistant to abuse.

Product Codes

Code	Version	Dim (mm)	Mass (kg)
VANDALED12D	12W Diffused LED	600 x 70 x 85	1.4
VANDALED25D	25W Diffused LED	600 x 70 x 85	1.4

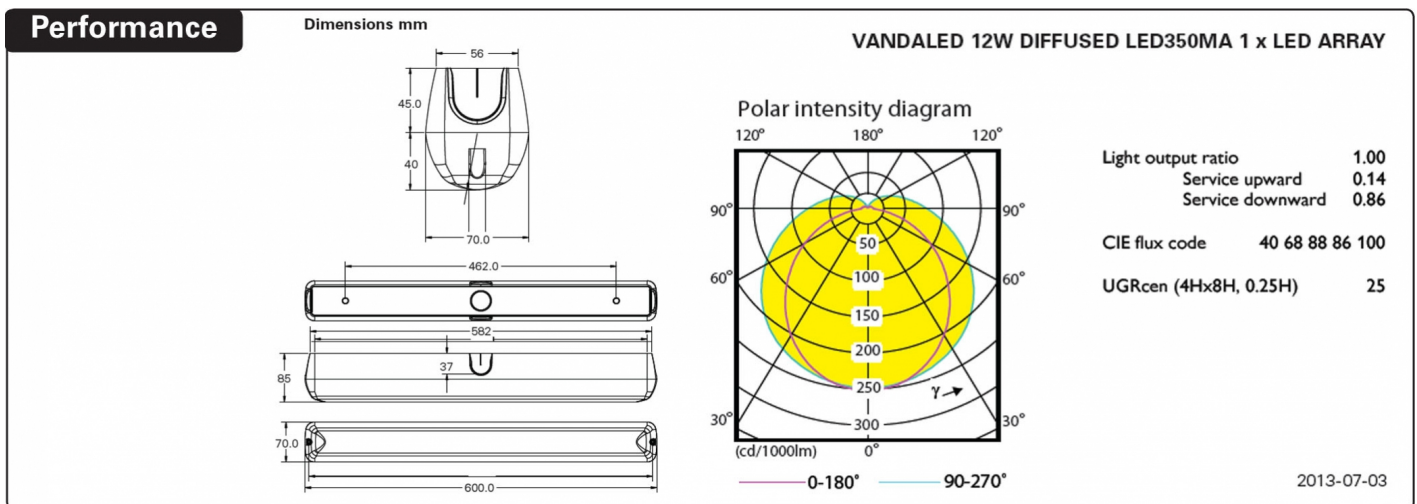


Quick Specification

Pierlite VandaLED IP65 12W or 25W 4000K LED with diffuse cover and pressure die cast LM6 aluminium body IK10. Integral driver on a modular gear tray with LED board and heatsink. Stainless steel tamper resistant screws and durable silicone seal.

Design Application

Ideal for vandal prone and exposed sites such as schools, community centres, amenity blocks and public buildings.



IP65



Max Dim (mm)
70 x 85 x 600

PDF Prepared: 23.01.2017 09:01am, Last page update: Mar 2014

