

LEDsmart™ Xpert™ Dimmer



www.dignet.net.au



Range

MEDM / DGRT

Overview

Designed in Australia to provide optimised dimming of LED based lamps, plus excellent compatibility with traditional lamps such as incandescent, 12V halogen (dichroic) and CFL (dimnable and Non Dimmable).

The dimmer is fully programmable via a simple 4-step process. Minimum level, maximum level, optional kick start, and off state indicator can all be programmed during commissioning.

As well as a rotary dial for fine dimming control, the dimmer includes an integrated Push ON / Push OFF switch - there is no need to provide a separately wired switch in the wall plate.

A white LED indicator provides a soft night-light glow in a dark room. This feature is optional and programmable.

Double clicking the switch slowly dims the lights to a minimum level over 30 minutes. This feature can be typically used in a child's bedrooms, for example.

The dimmer packaging includes a large and small dial, and a range of coloured silicon rings to tailor the dimmer installation to individual applications.

Features

Active only 'two wire' electrical connection - no neutral is required

Rotary dial provides smooth and easy dimming control

No separate switch required - built in push on / push off switch

Rotary dial 'quick flick' to dim to a Maximum or Minimum level

Illuminated halo with interchangeable coloured rings (blue/green/orange/clear)

Dim to OFF with most LED light sources

Programmable minimum level, maximum level, kick start and off state indicator

Capable of dimming both dimmable and non-dimmable CFL loads (lamp dependant)

Double tap the built in switch when lights are on to dim to a minimum level over 30 minutes

Double tap the built in switch when lights are off to dim to a maximum level over a 30 minute period

Fall back LED Indicator level - the LED Indicator reduces in intensity after 10 seconds of using the dimmer







1W minimum LED lighting load

Optional separate switch mode (if required)

Enclosed terminal block included (for AS3000 compliance)



Specifications

Compatible Load Types			
Load Symbol	Load Type	Maximum Load	Notes
	Dimmable LED Drivers	400W	The LED driver must be dimmable. Maximum permitted number of drivers is 400W divided by driver nameplate power rating. Due to variety of LED lamp designs, maximum number of LED lamps is further dependent on power-factor result when connected to dimmer.
	Electronic Transformers	400W	
	Standard Iron-Core Transformers	250W	Due to variety of transformer designs, maximum LV lighting load is further dependent on transformer efficiency.
	Toroidal Iron-Core Transformers	300W	
	Incandescent	350W	
	Dimmable CFLs	400W	Due to variety of CFL designs, maximum number of CFL lamps is dependent on particular CFL make/model.

Multi-gang de-rating

In applications where multiple dimmers are installed in a multi-gang plate, a de-rating factor is applied to the maximum load as follows

Number of dimmers per plate	De-rating factor
1	No de-rating
2	0.85
3	0.70
4	0.55
5	0.40
6	0.25

De-rating example

Two Dimmers (and associated switches) installed in a wall plate. The maximum LED load which can be connected to each dimmer = 400W x 0.85 = 340W per dimmer

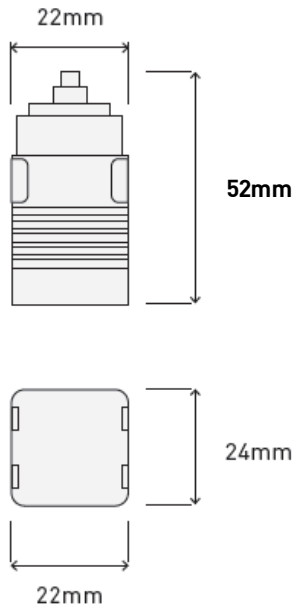
Incompatible Load types

Ceiling Sweep Fans and Exhaust fans

Nominal Line Voltage Amplitude Range	
Nominal Line Voltage Amplitude Range	220-240Vac
Line Voltage Frequency	50Hz Nominal (47-53Hz)
Load Brightness Control Range	0% to 100% (typical for LED loads)
Rated Load	Refer Compatible Loads
Minimum Load	1W



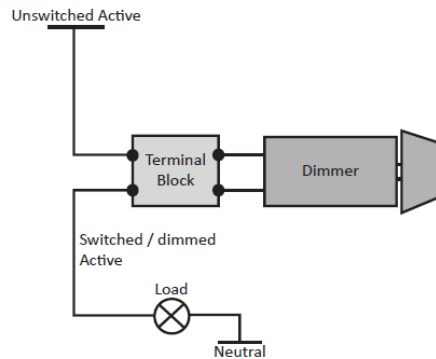
Dimensions



Typical Electrical Connections

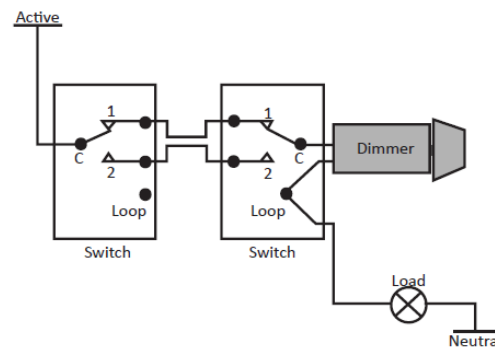
Standard wiring using built-in push on / push off switch

The dimmer has a built in push on, push off switch as well as rotary dimming. Therefore no separate switch is required for on/off control.



Two way switching operation

The dimmer can be installed for two-way switched operation, as shown below.



Notes on two-way switching operation

- The dimmer must be setup in Separate Switch Mode when used with a separate switch.
- In this configuration, the lighting can be dimmed from one location and switched from two separate locations.

Approvals & Compliance

IP20  

CONTACT INFORMATION

Web: www.diginet.net.au
 General Enquiries: 1300 95 DALI (3254) sales@diginet.net.au
 Technical Services: 1300 95 3244 support@diginet.net.au
 Fax: 1300 95 3257

PRODUCT OF GERARD LIGHTING PTY LTD

ABN – 89 095 788 864
 96-112 Gow Street
 Padstow NSW 2211

DIGINET IS A BRAND OF GERARD LIGHTING

The product includes a **TWO-YEAR WARRANTY** against manufacturing defects. Fully warranty terms can be found here www.diginet.net.au

COPYRIGHT. ©This document is copyright to Gerard Lighting Pty Ltd. Except as permitted under relevant law, no part of this user and installation guide may be reproduced by any process without written permission of and acknowledgement to Gerard Lighting. **DISCLAIMER.** Gerard Lighting Pty Ltd reserves the right to alter the specifications, designs or other features of any items and to discontinue any items at any time without notice and without liability. While every effort is made to ensure that all information in this user and installation guide is correct, no warranty of accuracy is given and Gerard Lighting shall not be liable for any error. **TRADEMARKS.** The identified trademarks and copyrights are the property of Gerard Lighting Pty Ltd unless otherwise noted.