



JAX SERIES 1

Range Of LED Downlights

JAX Downlight Series combines a unique blend of form and function by providing lighting designers with extremely versatile luminaires and the ultimate in efficient performance. With a range of sizes and wattages the entire family blends with each other for a seamless look and the sleek rebated bezel reduces glare

JAX SERIES 1

Range of LED Downlights



Features

- Constructed with a diecast bezel and drop forged heatsink
- Reflectors are anodised aluminium
- Reflector optics standard 40°
- Cree CXB 95+
- Available in 3000K & 4000K colour temperature
- Quick and Easy – installation
- Dimmable – refer driver platform for options
- 50,000 Hours (L70)
- One of a family of 4 trim sizes (JAX Series 1-4), 10-54 wattage options

Applications

- Designed for retail, food preparation, facades

Specifications

Colour Temp	3000K and 4000K
Lumen Output	See Chart
CRI	>95
Macadams Step	3 SDCM
Beam Distribution	Symmetric
Default Beam Angle	40°
Lumen Maintenance	L70 50,000hrs
Control	Remote
Dimensions	Ø90 x H:112mm
Cut Out	Ø81mm
Min Recessed Depth	142mm
Power Factor	0.9
Electrical Rating	Class III

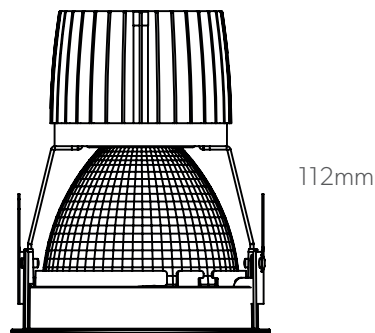
JAX SERIES 1

Range of LED Downlights

Technical Requirements

10/15W	Required Component			
	Driver		10W	15W
	DAD20F01	Non-Dim	250mA	350mA*
	DAD20D01	DALI		
	DAD20V035001	1-10V		
* = Factory Default				

Body selection	Description	Wattage	Lumens Initial	Lumens Exit	mA setting
JD0903351	JAX SERIES 1 15W 3K WHITE	10	971	924	250
		15	1320	1245	350
JD0904351	JAX SERIES 1 15W 4K WHITE	10	1004	956	250
		15	1365	1288	350
JD0903353	JAX SERIES 1 15W 3K SILVER	10	971	924	250
		15	1320	1245	350
JD0904353	JAX SERIES 1 15W 4K SILVER	10	1004	956	250
		15	1365	1288	700



∅90mm

Cut out ∅81mm

