



Modern
Elegance

KENSINGTON LED

CATEGORY P LUMINAIRE

The Kensington LED combines tradition with modern architecture and the latest in LED light source technology to provide a classic gas lantern replica from the early days of road lighting.

The luminaire is cast from aluminium and incorporates glass panels. Compliance is to AS1158 Category P Minor Road Lighting standards and AS1158.6 where applicable; the Kensington LED is therefore suitable for Roadway P Category applications as well as car park and amenity illumination.

The standard colour finish is Black Powder Coat with special colours available to order. The control gear is integral 240V and housed in the top section of the luminaire.

PERFORMANCE SUMMARY

- System wattage: 17W LED Module
- Type II/III distribution
- Integral 240V control gear
- IP54 sealed optical and gear chamber with acrylic lens LED module and glass windows
- CRI>70
- Ambient temperature to 40°C
- 20 year design life
- Available in Colour Temperatures of 4000K
- Limited Warranty: 5 years (refer to G.L. Terms and Conditions)
- Options: - D2 type photoelectric control switch
- Powdercoat finish in various Dulux colours



KENSINGTON LED (cont.)

SPECIFICATIONS

Electrical Characteristics:

- Input Voltage: 240V – 50Hz
- Power Factor: 0.9
- System watts: 17W

Optical Characteristics:

- CCT: Available in 4000K
- Lumen Maintenance: L90 at 88,000 hrs
- CRI: > 70
- Optical chamber independently sealed to IP54
- LED Module IP65

Mechanical Characteristics:

- Pressure die cast, aluminium body and canopy
- IP65 Optic
- Post top mounting fits 76mm OD pipe x 80mm
- Black polyester powdercoat finish as standard

Control Characteristics:

- DALI or 1-10V Control.

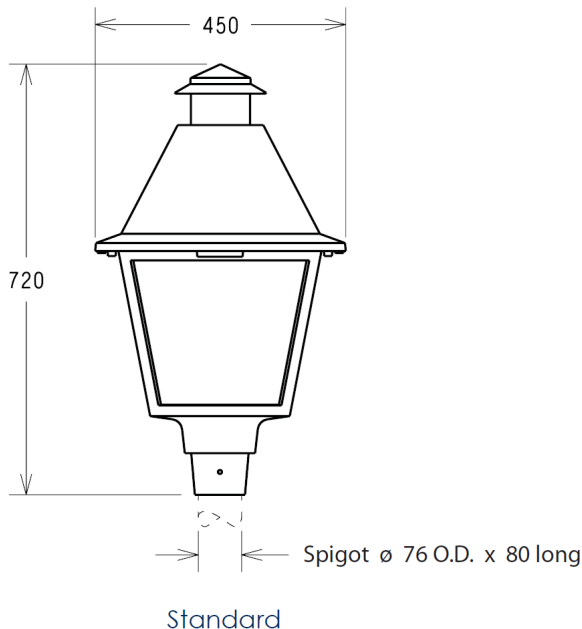
Environmental & Standards:

- Ambient Operation Temps: to 40° C
- EMC compliant: AS/NZS CISPR15, EN/IEC 61000-3-2, EN/IEC 61000-3-3
- Immunity EN 61547 Complies to Technical Spec SA/SNZ TS 1158.6 – Luminaires Performance

Options

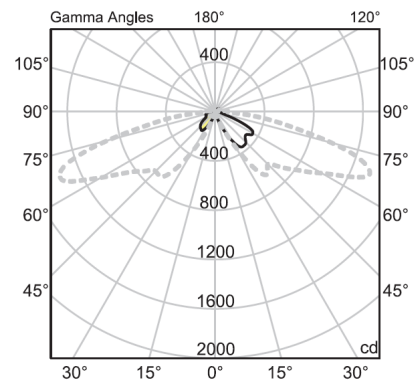
- PE Cell D2 type photoelectric control switch
- Polyester powdercoat finish in various DULUX colours available on request

LINE DRAWINGS



PHOTOMETRICS

Please contact your Roadway & Infrastructure Lighting representative for photometric information specific to your project.



Kensington LED Series

ORDER CODES

Code	Description	Lamp	CCT	Dimensions (mm)	Weight (kg)
LF99E01L17	KTON 17W 4K FTB PECD 0001 +FLE	LED	4000K	450 (w) x 720 (h)	13.8