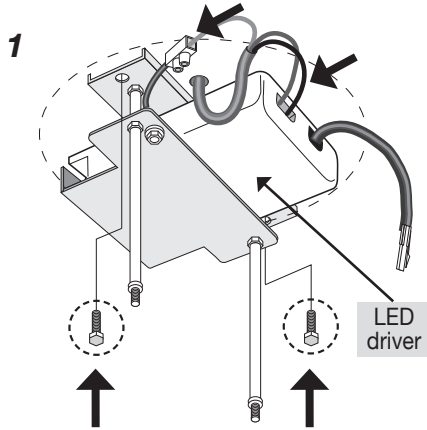


DOT 9100SM Series – Surface Mounted Downlights
DOT 9700SM Series – Surface Mounted Downlights
DOT 9900SM Series – Surface Mounted Downlights

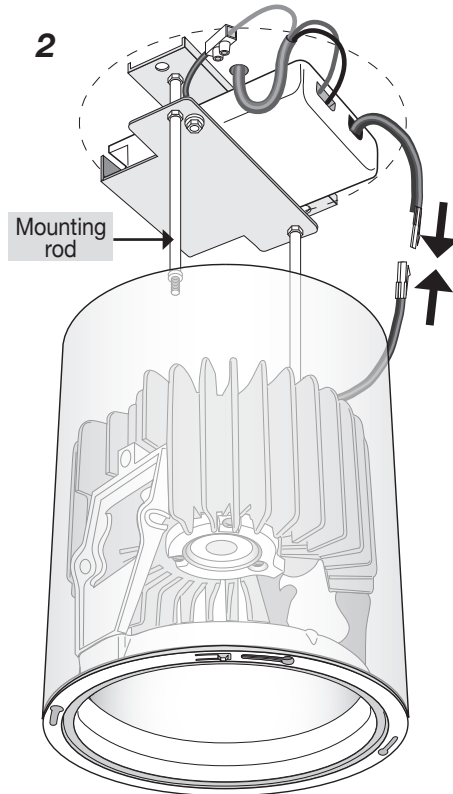


Complies with IEC60598
 Complies with AS/NZS60598
 RoHS compliant

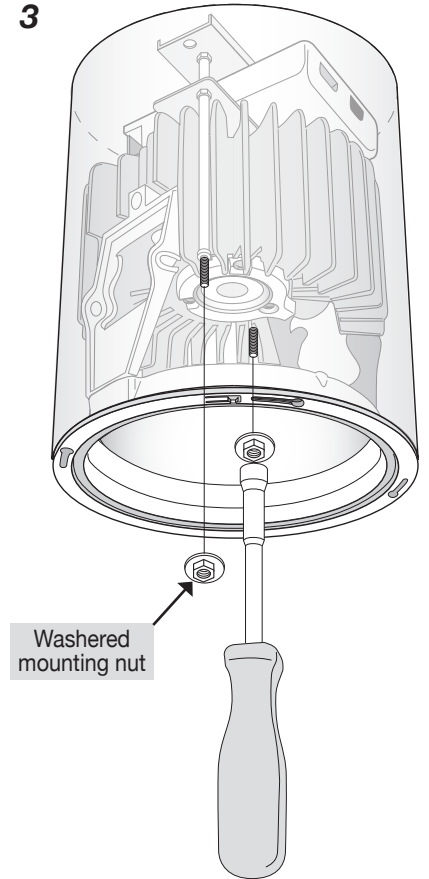
– Supply voltage 220-240V 50 HZ – Suitable for indoor use only – Min. distance from building element = 0.1M



- Fix bracket assembly to mounting surface
- Connect mains cable to driver and connect earth



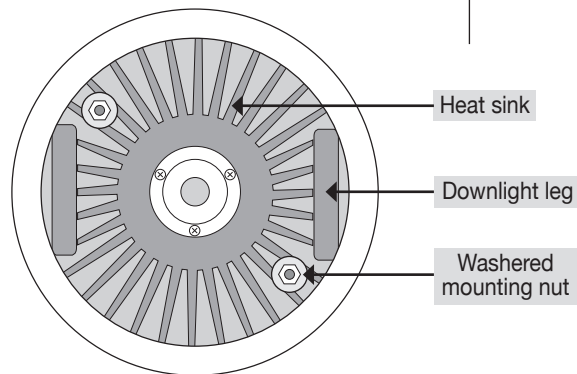
- Connect downlight cable to driver secondary cable
- Insert mounting rods between heat sink fins closest to downlight legs



- Secure luminaire with washed mounting nuts (tool supplied). Caution – do not over tighten



- Replace reflector
- Replace AXLock Ceiling Plate / Accessory



AXLock Accessories – Installation

