



MURA



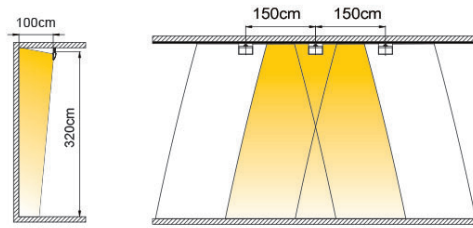
PRODUCT DESCRIPTION

Mura introduces cutting edge LED technology encompassing both form and function to balance its pedigree. Designed to be invisible harmonising its performance with a stealth design.

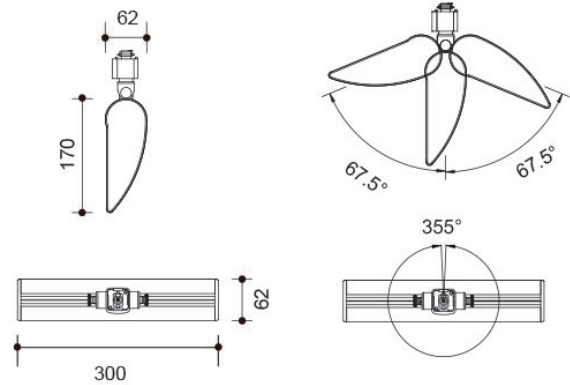
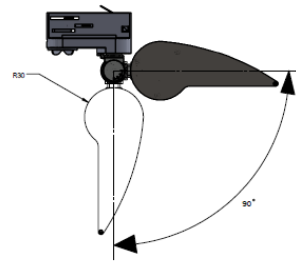
SPECIFICATIONS

CRI	>95
MACADAMS STEP	3 SDCM
BEAM DISTRIBUTION	SYMMETRIC
BEAM ANGLE	60° / 100°
LUMEN MAINTENANCE	L70 50,000HRS
CONTROL	HORIZONTAL AND VERTICAL
ELECTRICAL RATING	CLASS I
TRACK COMPATABILITY	EURO L3
DRIVER	IN-LINE

PHOTOMETRIC DATA



DIMENSIONS (MM)



CODE	PRODUCT DESCRIPTION	WATTAGE	LUMEN OUTPUT	CURRENT	CTT	BEAM	FINISH
MU300385601	MURA WW 3000K 30W 60D WHITE	30W	3000	850mA	3000K	60°	WHITE
MU300485601	MURA WW 4000K 30W 60D WHITE	30W	3000	850mA	4000K	60°	WHITE
MU300385602	MURA WW 3000K 30W 60D BLACK	30W	3000	850mA	3000K	60°	BLACK
MU300485602	MURA WW 4000K 30W 60D BLACK	30W	3000	850mA	4000K	60°	BLACK
MU300385101	MURA WW 3000K 30W 100D WHITE	30W	3000	850mA	3000K	100°	WHITE
MU300485101	MURA WW 4000K 30W 100D WHITE	30W	3000	850mA	4000K	100°	WHITE
MU300385102	MURA WW 3000K 30W 100D BLACK	30W	3000	850mA	3000K	100°	BLACK
MU300485102	MURA WW 4000K 30W 100D BLACK	30W	3000	850mA	4000K	100°	BLACK