

PIERLITE QUANTUM LED FLOODLIGHT

ULTIMATE VERSATILITY IN
COMMERCIAL FLOODLIGHTING



COMPACT | FLEXIBLE | EFFICIENT | RAPIX READY

QUANTUM LED FLOODLIGHT

RISES TO ANY CHALLENGE

Designed for ultimate versatility, Quantum LED delivers precise control with a choice of symmetrical and asymmetrical distribution. Its streamlined design, high performance and maximised visual comfort complement any exterior space, and make it the floodlight of first choice for a host of commercial settings or applications.



General floodlighting



Exterior car parks



Commercial and light industrial areas



Security lighting



Area lighting

COMPACT

Excellence in design allows for compact size while delivering maximum power, available in 220W and 320W.



Lighting controls ready integral driver 0-10V dimming as standard. 7-pin NEMA base can be factory fitted if required.



FLEXIBLE

Different wattages and beam spreads allow a host of applications, and keep aesthetics constant across the whole project.

EFFICIENT

High lumen output so fewer luminaires are needed. LED chips and high quality drivers deliver high performance with energy efficiency.

BUILT TOUGH

FOR AUSTRALIAN & NEW ZEALAND CONDITIONS

FEATURES

- Available in 220W and 320W versions
- Integral driver standard with 0-10V dimming capabilities, making the Quantum LED suitable for RAPIX control systems
- Luminaire designed to accept the 7-pin NEMA base for energy authorities, must be factory fitted
- Diecast aluminium body powder coated black
- 4mm toughened glass
- Latest LED chip configuration
- Powder-coated trunnion arm; spigot mount version available 2017
- Supplied with 5-core 1m fly lead for easy connection
- Option for bird spikes

BENEFITS

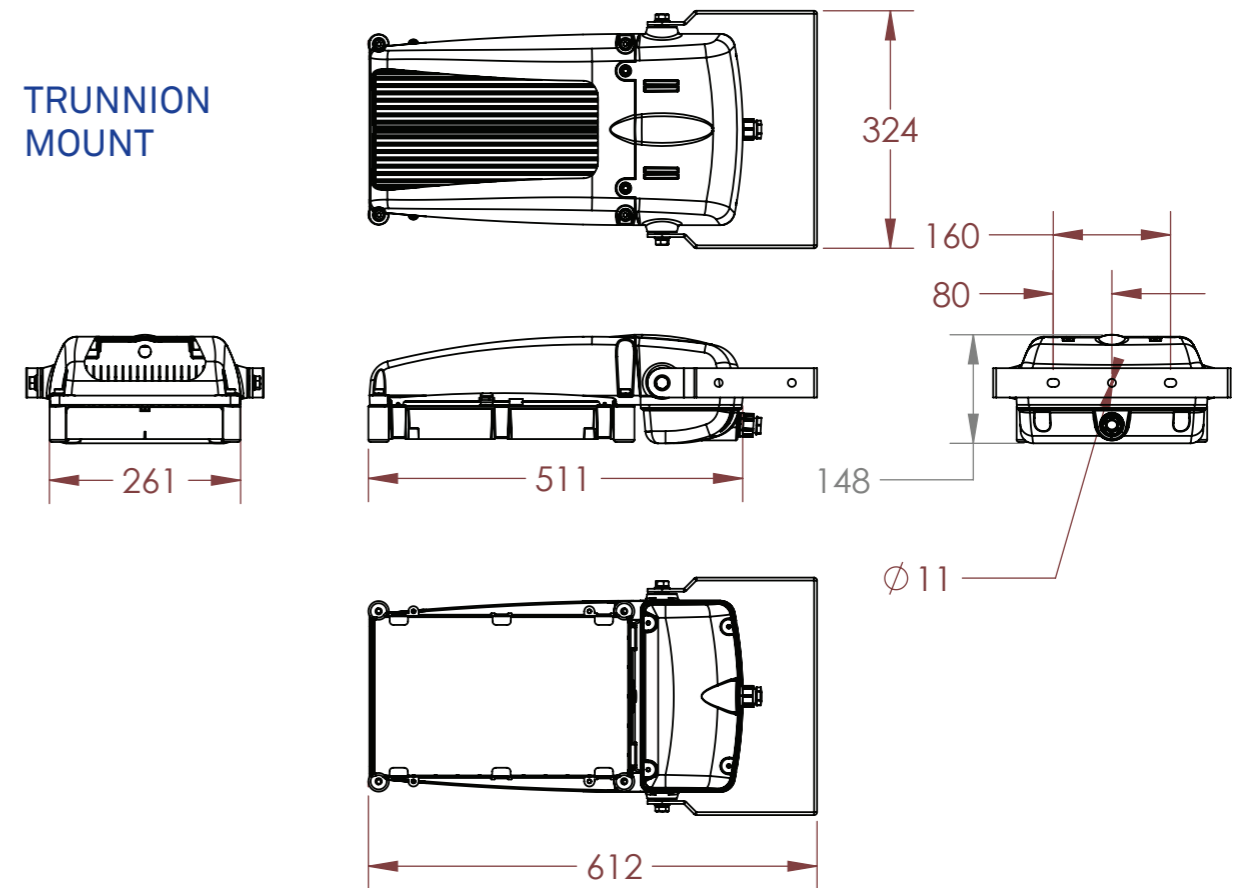
- Energy efficient LED floodlight, lower running costs
- Complete with integral dimmable driver, ready for the RAPIX control systems
- Slimline compact design, suitable for a variety of applications
- High lumen output, fewer luminaires required
- Unique optical design delivers high performance for both symmetrical and asymmetrical distributions
- Integral high quality dimmable driver 0-10V dimming
- Easy installation, floodlight does not need to be open, maintaining IP integrity

SPECIFICATIONS

- Compliant to AS/NZS60598.1:2013 Luminaires – General requirements
- Dimmable 0-10V Dimming
- LER over 100lms/W
- Ingress protection IP66
- IK06 rating
- Ta40
- Colour temperature 4000K, CRI 70
- 50,000hrs rated average design life* @ L70
- 5 year warranty†



TRUNNION MOUNT



CODE	DESCRIPTION	DISTRIBUTION	SYSTEM WATTAGE	LUMEN OUTPUT	VOLTAGE	COLOUR TEMP	CRI	WEIGHT
PPM1A5740ET	PIERLITE Quantum LED A5	Asymmetrical	220W	26,000lm	240V	4,000	70	9.7kg
PPM1S8740ET	PIERLITE Quantum LED S8	Symmetrical	220W	24,000lm	240V	4,000	70	9.7kg
PPH1A5740ET	PIERLITE Quantum LED A5	Asymmetrical	320W	34,544lm	240V	4,000	70	10.2kg
PPH1S8740ET	PIERLITE Quantum LED S8	Symmetrical	320W	32,583lm	240V	4,000	70	10.2kg
PPFINCLIP	Bird Spike set of 4	-	-	-	-	-	-	-





National Support Office
1300 799 300

GERARD
LIGHTING

TRUSTED AUSTRALIAN
DESIGN

 Lighting Council
AUSTRALIA MEMBER

 Lighting Council
NEW ZEALAND™