

# AVENUE SERIES

## DECORATIVE (CATEGORY P)

### FEATURES

- 26W CF - 80W HID lamps
- Avenue mounting bracket
- Integral 250V HPF control gear

### KEY APPLICATIONS

- Roadway (P)
- Pedestrian
- Outdoor Car Park
- Amenity



The Sylvania Avenue Series presents the opportunity to create modern, energy efficient street lighting systems, whilst maintaining a unique contemporary appearance. A curved bracket arm is fastened to the support pole by a cast flange supporting the curved bracket arm, to which the fixture and an appropriately shaped canopy is attached. The unobtrusive optical system ensures an efficient light distribution.

Metal Halide light sources are available with igniter reactor gear. The Avenue Series fixture is a complete integral unit with lamp and control gear easily accessible for maintenance. For ease of transport the unit is supplied packaged as luminaire, canopy and curved bracket arm. Complementary to this series of luminaires is a range of Sylvania Estate Columns.

### LUMINAIRE CONSTRUCTION

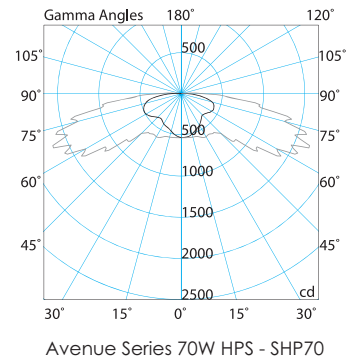
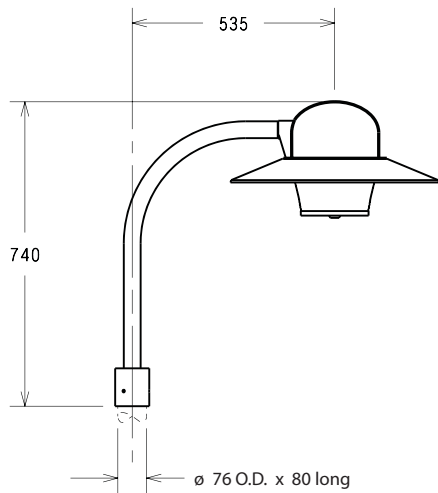
- Pressure die-cast aluminium body with spun aluminium canopy
- IP54 optical & gear chamber with acrylic refractor
- Post top mounting bracket fits 76mm OD pipe
- Black polyester powdercoat finish as standard

### OPTIONS AVAILABLE

- D2 type photoelectric control switch
- Glare shield
- Polyester powdercoat finish in various colours

Description	Lamp	Base	Weight (kg)	Order Code
Avenue 32W CF	Lynx-CFTE/32W	GX24q-3	5.80	LQ9800L
Avenue 42W CF	Lynx-CFTE/42W	GX24q-4	5.80	LQ9700L
Avenue 50W MV	HSLBW50	E27	6.60	LQ1000L
Avenue 80W MV	HSLBW80	E27	6.60	LQ1100L
Avenue 70W HPS	SHP70/CO/I	E27	6.70	LQ4100L
Avenue 70W MA	MP70/CO/U	E27	6.70	LQ27102L

Note: The above codes are for standard products only. Please refer to your local SLA representative for more options. Standard specification is supplied with bracket arm.



For more information,  
scan the QR code:

