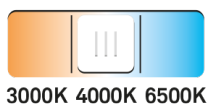


# EXPERIENCE THE DIFFERENCE SOLUTION FOR EVERY ROOM

**New!**  
Colour Select



SWITCH TO SET  
YOUR COLOUR  
TEMPERATURE

3000K 4000K 6500K

## LITELUX COLOUR SELECT GENII LED DOWNLIGHT

Flexibility of Litelux Colour Select Downlight offers freedom of choice for installer to select required colour temperature for different areas, all from the same luminaire. Excellent thermal performance to comply with the highest luminaire classification IC-4 at Ta40°C.



# LITELUX COLOUR SELECT GENII LED DOWNLIGHT

Litelux Colour Select all in one LED Downlight simply select between three popular colour temperatures using switch on the back of the fitting. Excellent thermal performance to comply with the highest luminaire classification IC-4 at Ta40°C. Cost effective all in one, high performance, dimmable downlight with integrated driver. This low power unit offers up to 105lm/W.

## FEATURES & BENEFITS

- One downlight with colour temperature selection option 3000K/4000K/6500K
- Switch located on the back
- Complies to the highest rating IC-4 at Ta40°C which allows covering with insulation
- Recessed downlight with integrated dimmable LED driver
- IP44 when installed from below to protect against insects and water splashes
- Easy to install clips
- 90mm cut outs
- Dimmable to 0% using Diginet LEDsmart+ dimmer range\*\*
- 3-year warranty

## CONSTRUCTION

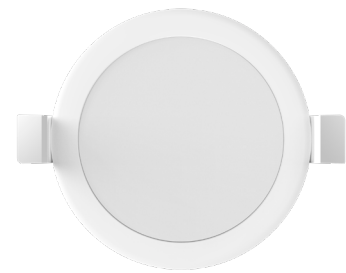
- White thermoplastic body for better heat dissipation
- Diffused flush front lens
- Complete with 0.9m flex and plug

## SPECIFICATIONS

- Tested to new AS/NZ60598.2.2.2016 standards
- Complies with the highest rating IC-4 at Ta40°C
- Wattage: 7W
- 36,000 hours L70, LLMF\*
- Colour Rendering Index: CRI >80
- Colour temperature: 3000K/4000K/6500K
- Lumen Output: 700lm/750lm/750lm
- Ingress Protection: IP44 from below
- Mounting: Recessed mount
- Dimensions: Ø105 x H 58mm
- Dimmable\*\*

## APPLICATIONS

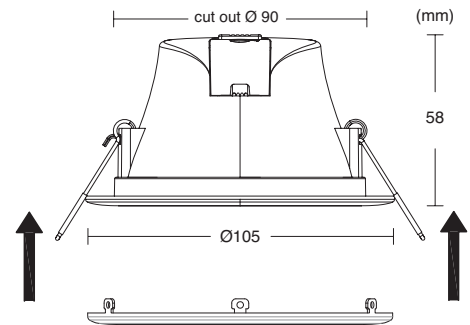
Commercial, residential and apartment interior spaces



Flush Lens

**SWITCH TO SET YOUR COLOUR TEMPERATURE**




Switch located on back



Clip-on Trim

PRODUCT CODE	DESCRIPTION	WATTAGE	LUMEN	COLOUR TEMP	DIMENSION (MM)	CUT OUT (MM)	MASS (KG)	DIMMABLE
<b>FLUSH LENS</b>								
DLP63/4/65FWG2	Flush Diffused, White	7W	700/750/750lm	3000K/4000/6500K	Ø105 x H 58mm	Ø90mm	0.25	Yes

## OPTIONAL ACCESSORIES

DLPTRMFS	Clip-on silver trim for flush lens Litelux downlights	
DLPTRMFB	Clip-on black trim for flush lens Litelux downlights	
DLPTRMFBC	Clip-on brushed chrome trim for flush lens Litelux downlights	



\*Lamp lumen maintenance factor (LLMF). Due to continual product improvement, information is subject to change without notification. †Gerard Lighting Pty Ltd standard Terms and Conditions apply. \*\* Dimming performance may vary depending on the specifications of the dimmer being used. For best performance we recommend Diginet LEDsmart+ range.