

Briteline™ Elite T8 / Sportsline T8 Series



High Performance Floodlight

The Briteline™ T8 series are reliable and trusted high performance floodlights, designed and manufactured in Australia to suit Australasian conditions. The Briteline™ Elite features Constant Wattage control gear allowing for precise lamp control, minimised cabling and premium protection against supply voltage variations. The Briteline™22 Sportsline offers Ignitor Reactor control gear allowing for an economical solution for small to medium floodlight installations.

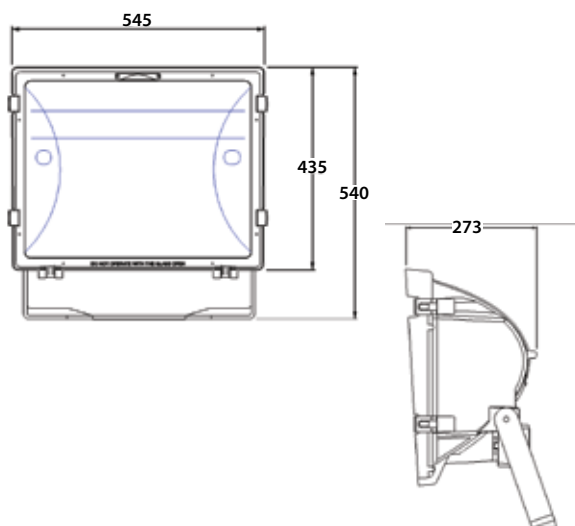
Luminaire Construction

- High pressure die- cast DA401 aluminium body
- Black polyester powdercoat finish
- Toughened 5mm glass
- Latch fixing door frame system
- High purity 99.8% anodised aluminium reflector system in either Specular (Narrow) or Peened (Wide) beam configurations
- Stainless steel fasteners

Features

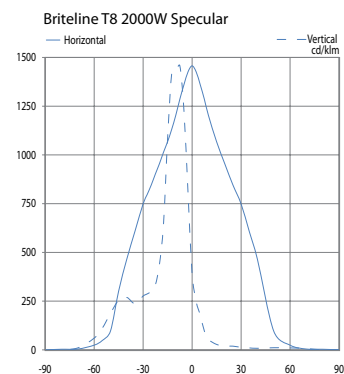
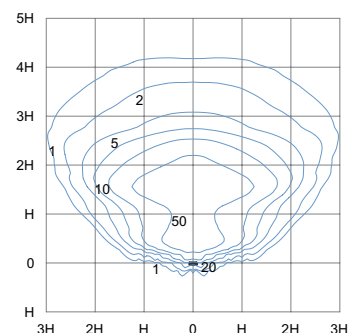
- Compact and light weight construction allowing for minimisation of pole/ mounting costs
- Over/under slung mounting capability
- Remote Gear tray or Cast box options – Elite : 240V or 415V, Sportsline : 415V only
- Glare shield options
- Upward waste light visor option
- Wire guard option
- For general sports lighting layouts, refer page 17

Applications



H	Multiplier
18.0	1.00
20.0	0.81
25.0	0.52

Briteline T8 2000W Specular
MH = 18m Aim = 60deg



DESCRIPTION	TYPE	BASE	LAMP	WEIGHT
BLP 65 ELITE 2000W T8 CWA 240V	Metal Halide	Special	M2000/T8/DE	13.0kg*
BLP 65 ELITE 2000W T8 CWA 415V	Metal Halide	Special	M2000/T8/DE	13.0kg*
BLS 65 ELITE 2000W T8 CWA 240V	Metal Halide	Special	M2000/T8/DE	13.0kg*
BLS 65 ELITE 2000W T8 CWA 415V	Metal Halide	Special	M2000/T8/DE	13.0kg*
BLP 65 S/LINE 2000W T8 IR 415V	Metal Halide	Special	M2000/T8/DE	13.0kg*
BLS 65 S/LINE 2000W T8 IR 415V	Metal Halide	Special	M2000/T8/DE	13.0kg*

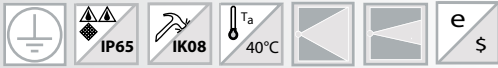
Note: S-Series is specular finish (Narrow Beam). P-Series is peened finish (Wide Beam)
* Fixture mass shown only.

Options Available:



For relevant start and run currents, please refer to SLA website.

BRITELINE ELITE T10/SPORTSLINE T10 SERIES



HIGH PERFORMANCE FLOODLIGHT

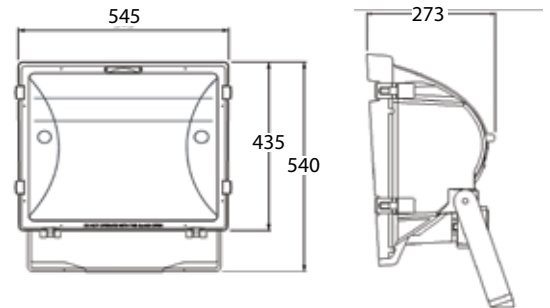
The Briteline™ T10 series are reliable and trusted high performance floodlights, designed and manufactured in Australia to suit Australasian conditions. The Briteline™ Elite features Constant Wattage control gear allowing for precise lamp control, minimised cabling and offering premium protection against supply voltage variations. The Briteline™ Sportsline offers Ignitor Reactor control gear allowing for an economical solution for small to medium floodlight installations.

LUMINAIRE CONSTRUCTION

- High pressure die-cast DA401 aluminium body
- Black polyester powder coat finish
- Toughened 5mm glass
- Latch fixing door frame system
- High purity 99.8% anodised aluminium reflector system in either Specular (Narrow) or Peened (Wide) beam configurations
- Stainless steel fasteners

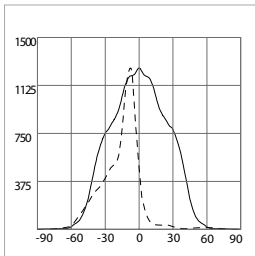
FEATURES

- Timed ignitor as standard
- Compact and light weight construction allowing for minimisation of pole/ mounting costs
- Over/under slung mounting capability
- Remote Gear try or Cast box options -Elite: 240V or 415V, Sportsline: 415V only
- Glare shield option
- Upward waste light visor option
- Wire guard option
- For general sports lighting layouts, refer page 52
- Environ system options

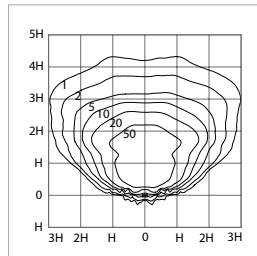


Sail Area: 0.24m²

Sail Area Calculated
in this Direction →



BLS 65 2000W T10
cd/kLm
— Horizontal - - - Vertical



BLS 65 2000W T10
MH = 18m Aim = 70deg

H	Multiplier
18.0	1.00
20.0	0.81
25.0	0.52



BRITELINE ELITE T10/SPORTSLINE T10 SERIES

Description	Type	Base	Lamp	Weight
BLS65 Elite 2000W T10 CWA 240V	Metal Halide	Special	M2000/T10/DE	13.0kg*
BLS65 Elite 2000W T10 CWA 415V	Metal Halide	Special	M2000/T10/DE	13.0kg*
BLP65 Elite 2000W T10 CWA 240V	Metal Halide	Special	M2000/T10/DE	13.0kg*
BLP65 Elite 2000W T10 CWA 415V	Metal Halide	Special	M2000/T10/DE	13.0kg*
BLS65 S/Line 2000W T10 IR 415V	Metal Halide	Special	M2000/T10/DE	13.0kg*
BLP65 S/Line 2000W T10 IR 415V	Metal Halide	Special	M2000/T10/DE	13.0kg*

Note: S-Series is specular finish (Narrow Beam), P-Series is peened finish (Wide Beam)
* Fixture mass shown only.

Options Available:



For relevant start and run currents, please refer to the SLA website.

