

Smart Scan MKII Occupancy Sensor

360 degree, Ceiling Mount, High Definition PIR (HDIR™)



www.dignet.net.au



Range DGSMARTSCAN1HD

Overview

The presence sensor package consists of two items; a 360 degree high definition passive infrared (HDIR™) sensor head and a control/relay module.

The sensor head is recessed into ceilings and has a low profile trim and opaque dome lens for sensing movement across short and long range plus ambient light level. Adjustment sliders for time and light level are discreetly hidden in the patented sensor head which pops out providing configuration after installation without any tools.

The control module, which switches the loads, are slim line and easily fit into the ceiling space through the sensor head aperture.

Designed for both minor and major movement, the sensor head has 864 fields of view (FOV) ensuring reliable operation up to 7m diameter in different applications (e.g. office or corridor installations). Time delay range is 5 min to 25 min plus a walk test setting of 5 seconds.

Features

High sensitivity 360° detection array designed for both minor and major movement applications

Unobtrusive, 60mm diameter flush-mount design

Integrated light level detector to inhibit switch-on if there is sufficient natural light available

Hidden yet easily accessible sensor head adjustment controls for time-out and light level adjustment

Rated at 16A for switching inductive/capacitive loads

Includes a switch input that allows for manual override off control

Typical

Cellular offices
Open plan offices

Meeting rooms
Corridors

Classrooms
Toilets

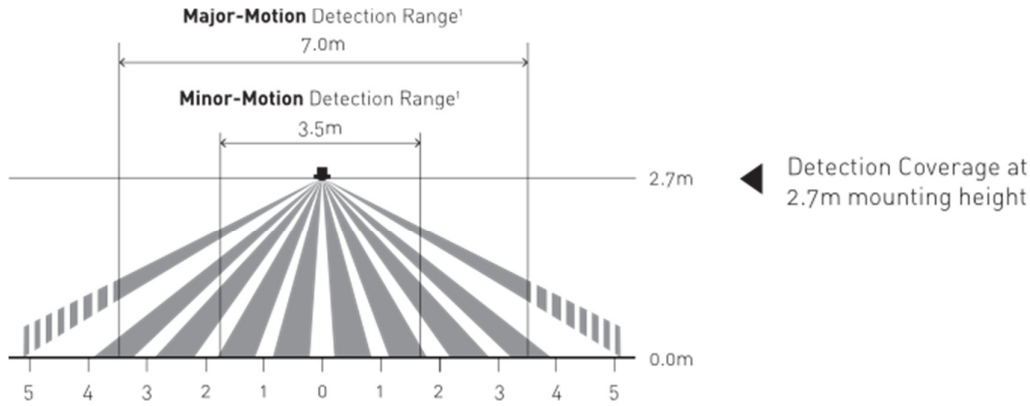
Applications



Smart Scan MKII Occupancy Sensor

360 degree, Ceiling Mount, High Definition PIR (HDIR™)

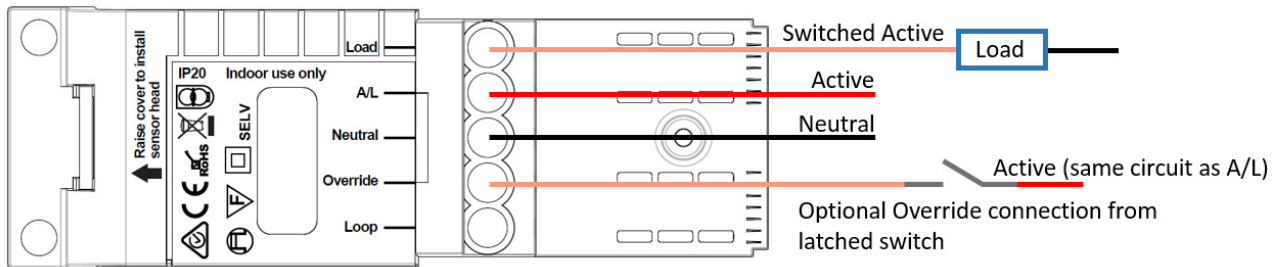
Sensor Detection Range



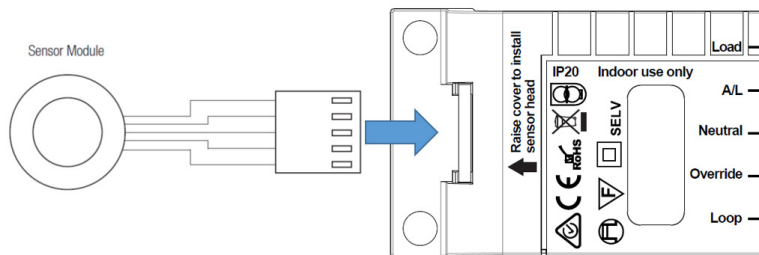
¹ As defined by NEMA Standard WD 7 - 2011 for Occupancy Motion Sensors

Connections

Control module connections to load and optional override switch



Sensor connection to control module

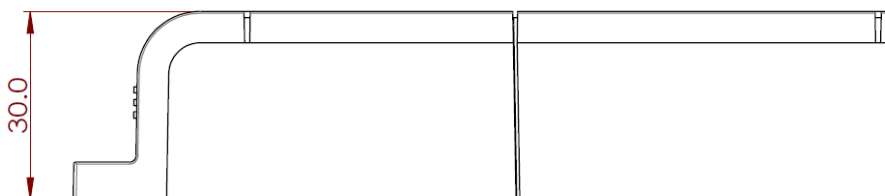
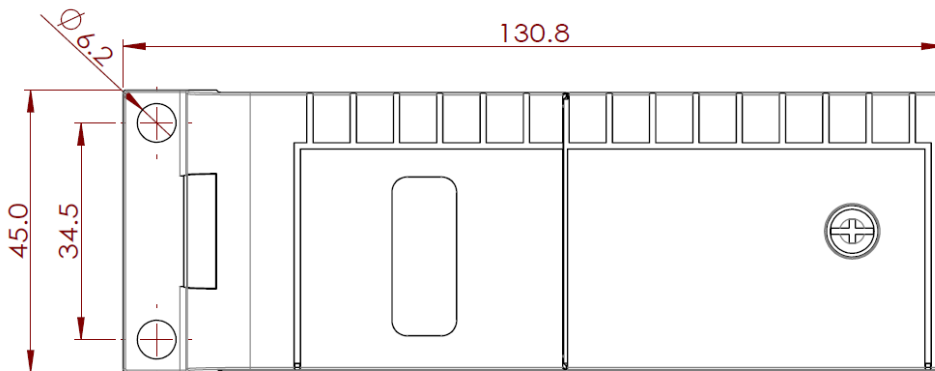
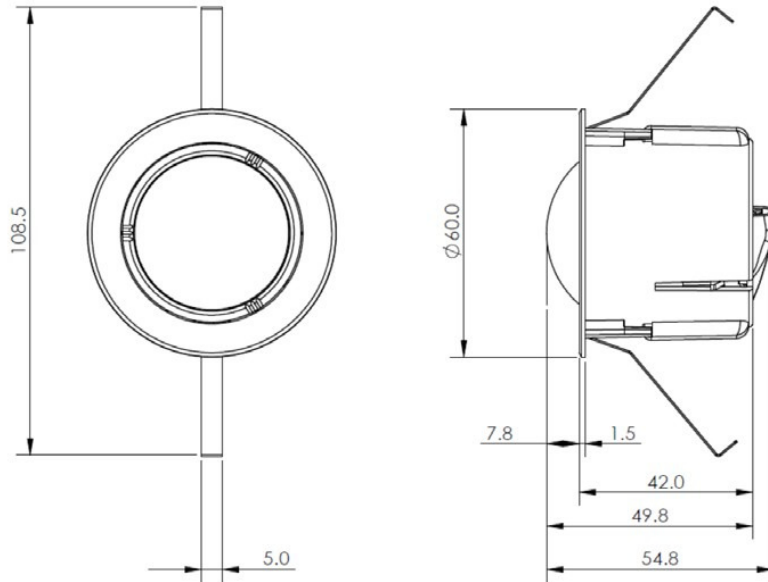




Smart Scan MKII Occupancy Sensor

360 degree, Ceiling Mount, High Definition PIR (HDIR™)

Dimensions










Smart Scan MKII Occupancy Sensor

360 degree, Ceiling Mount, High Definition PIR (HDIR™)

Specifications

Input voltage (control/power module)	220 – 240 Vac
Input current (control/power module)	2mA (Relay Off) 11mA (Relay ON)
Frequency	50/60Hz
Output rated current (control/power module)	16A per relay channel
Output voltage (sensor head)	12V dc nominal
Output current (sensor head)	8mA nominal under normal detection with a single sensor
Isolation	≥3.75kV ac (Mains/Sensor Head) / SELV
Remote Override (refer section 5.1 and 5.2)	A maximum of 10 remote switches can be connected with up to 20m of cable on the same circuit
Start-up time	45 sec initialisation (5 mins for full sensitivity)
Ambient operating temperature	-10°C to +45°C
Ambient storage temperature	-10°C to +60°C
Humidity	10% – 95% RH, non-condensing
Sensor head cable	Factory fitted – 0.45m Maximum custom – 1.0m
Mains supply terminals (including override)	2 x 2.5mm ² or 1 x 4mm ²
Conductor strip length	6-7mm
Ingress protection	IP20
Material	Flame retardant polycarbonate
Weight	170g
Ceiling cut-out	52mm diameter
Dimensions	Refer to diagrams
Compliance	    

CONTACT INFORMATION

Web www.diginet.net.au
 General Enquiries: 1300 95 DALI (3254) sales@diginet.net.au
 Technical Services: 1300 95 3244 support@diginet.net.au
 Fax: 1300 95 3257

PRODUCT OF GERARD LIGHTING PTY LTD

ABN – 89 095 788 864
 96-112 Gow Street
 Padstow NSW 2211



DIGINET IS A BRAND OF THE GERARD LIGHTING GROUP

The product includes a **TWO-YEAR WARRANTY** against manufacturing defects. Fully warranty terms can be found here www.diginet.net.au

COPYRIGHT. ©This document is copyright to Gerard Lighting Pty Ltd. Except as permitted under relevant law, no part of this user and installation guide may be reproduced by any process without written permission of and acknowledgement to Gerard Lighting. **DISCLAIMER.** Gerard Lighting Pty Ltd (Gerard Lighting) reserves the right to alter the specifications, designs or other features of any items and to discontinue any items at any time without notice and without liability. While every effort is made to ensure that all information in this user and installation guide is correct, no warranty of accuracy is given and Gerard Lighting shall not be liable for any error. **TRADEMARKS.** The identified trademarks and copyrights are the property of Gerard Lighting Pty Ltd unless otherwise noted.