

CERKIO XL

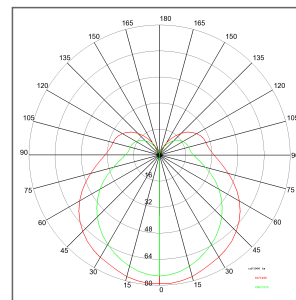
COD: E5400

Use:
outside
Installation:
Wall/Ceiling mounted
Body/structure:
EN AB-47100 Die-cast aluminium body
Coating:
Polyester powder coating with special treatment for outdoor use

Colour:
White
Equipment:
Silicon rubber gaskets
Glass/diffuser:
Polycarbonate opal diffuser
Cable gland:
n.2 silicon rubber cable gland PG11
Control gear:
Integrated electronic ballast

Voltage: 220-240V 50/60Hz
Beam angle : Simmetric flood beam
Insulation class: Insulation class 1
Weight: 3,500 kg
IP rating: 65
Glow wire: [850 °C]
IK rating: 10
Luminaire wattage:

Review board: 24-10-2012



Enax/Emin	180°	90°	0 m
72 / 40	Area: NAN x NAN		2 m
18 / 10	Area: NAN x NAN		4 m
8 / 5	Area: NAN x NAN		6 m
5 / 3	Area: NAN x NAN		8 m
3 / 2	Area: NAN x NAN		10 m
2 / 2	Area: NAN x NAN		12 m

CS-C180, 80° x 80° CS-C270, 65° x 65°

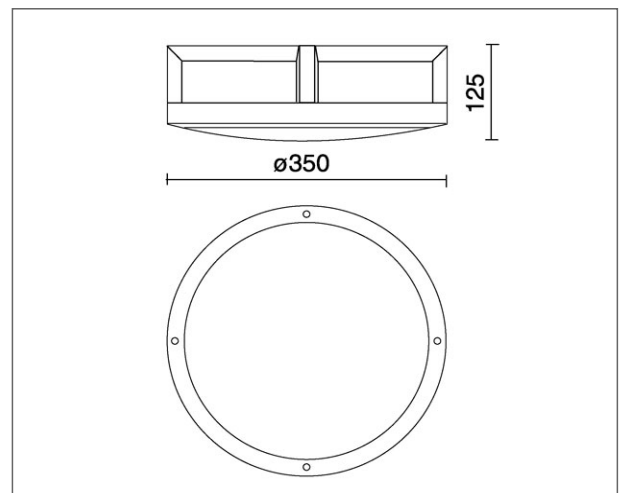
Lamp: 2 x FSMH GX24q 26 W



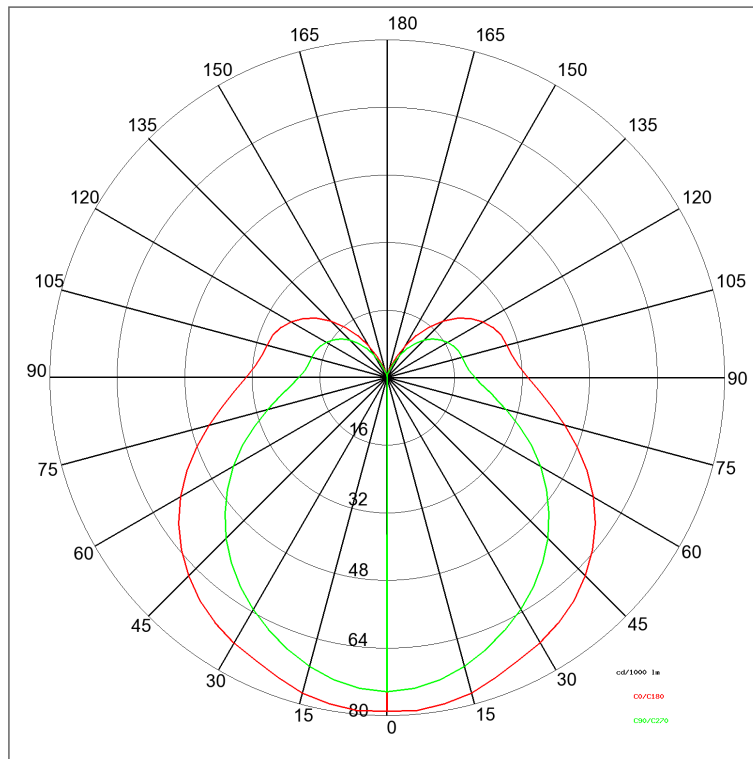
IK 10

IP 65

A

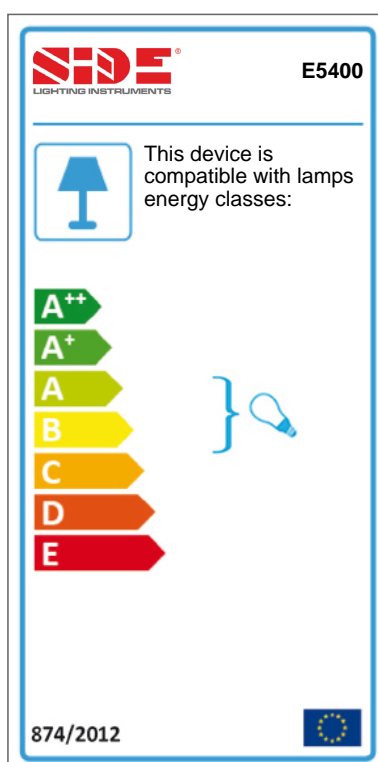


CERKIO XL
COD: E5400



E _{max} E _{min}		180°	
			0 m
	90°		90°
		Area: NAN x NAN	2 m
72 / 40		Area: NAN x NAN	4 m
18 / 10		Area: NAN x NAN	6 m
8 / 5		Area: NAN x NAN	8 m
5 / 3		Area: NAN x NAN	10 m
3 / 2		Area: NAN x NAN	12 m
2 / 2		0°	
		C0-C180: 80° + 80°	C90-C270: 65° + 65°

CERKIO XL
COD: E5400



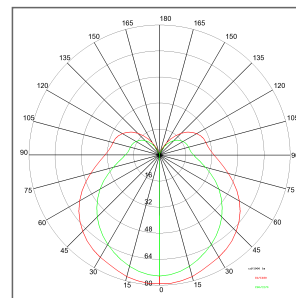
CERKIO XL
COD: E5401

Use:
outside
Installation:
Wall/Ceiling mounted
Body/structure:
EN AB-47100 Die-cast aluminium body
Coating:
Polyester powder coating with special treatment for outdoor use

Colour:
Black
Equipment:
Silicon rubber gaskets
Glass/diffuser:
Polycarbonate opal diffuser
Cable gland:
n.2 silicon rubber cable gland PG11
Control gear:
Integrated electronic ballast

Voltage: 220-240V 50/60Hz
Beam angle : Simmetric flood beam
Insulation class: Insulation class 1
Weight: 3,500 kg
IP rating: 65
Glow wire: [850 °C]
IK rating: 10
Luminaire wattage:

Review board: 24-10-2012



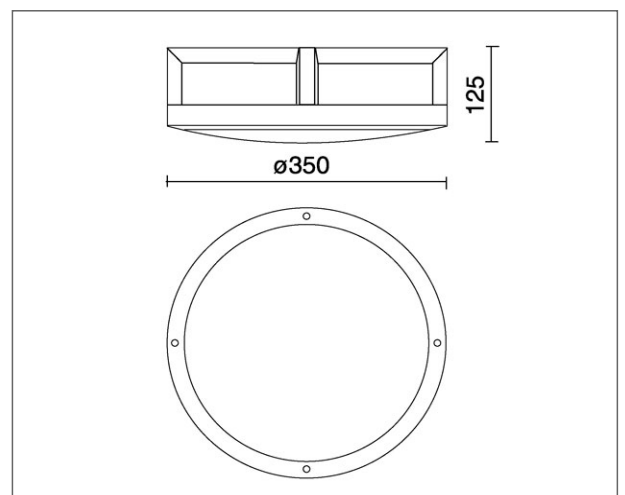
Emax/Emin	180°	90°	0 m
72 / 40	Area: NAN x NAN	90°	2 m
18 / 10	Area: NAN x NAN		4 m
8 / 5	Area: NAN x NAN		6 m
5 / 3	Area: NAN x NAN		8 m
3 / 2	Area: NAN x NAN		10 m
2 / 2	Area: NAN x NAN		12 m

CS-C180, 80° x 80° CS-C270, 65° x 65°

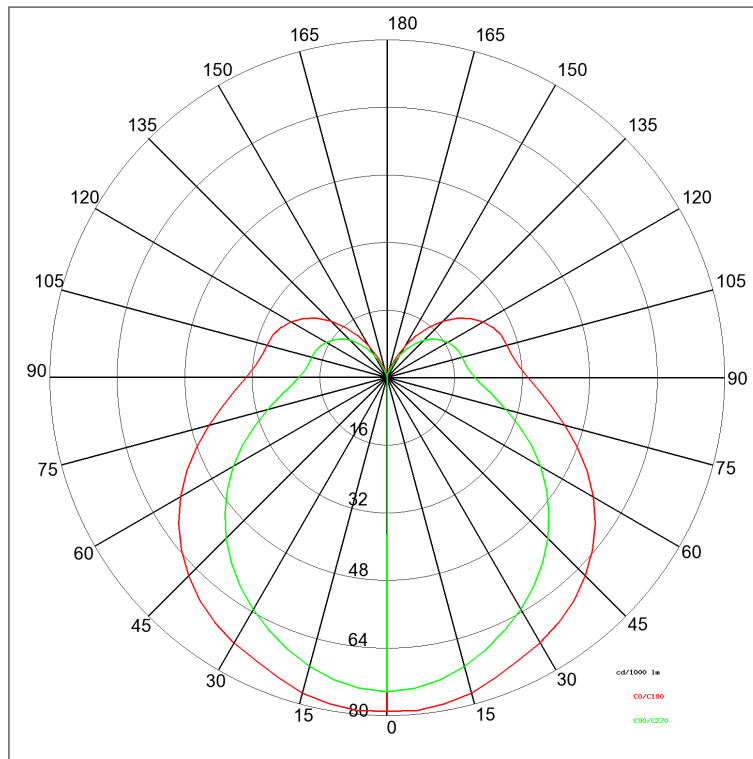
Lamp: 2 x FSMH GX24q 26 W



IK 10 IP 65 A

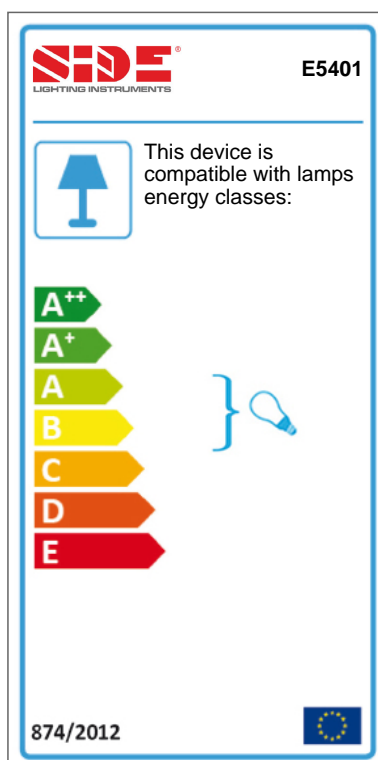


CERKIO XL
COD: E5401



Emax/Emin		180°	
			0 m
	90°	90°	Area: NAN x NAN
72 / 40			2 m
18 / 10			4 m
8 / 5			6 m
5 / 3			8 m
3 / 2			10 m
2 / 2			12 m
		0°	
		C0-C180: 80° + 80°	C90-C270: 65° + 65°

CERKIO XL
COD: E5401



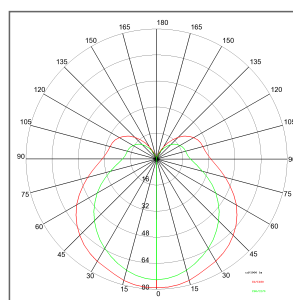
CERKIO XS
COD: E5440

Use:
outside
Installation:
Wall/Ceiling mounted
Body/structure:
EN AB-47100 Die-cast aluminium body
Coating:
Polyester powder coating with special treatment for outdoor use

Colour:
White
Equipment:
Silicon rubber gaskets
Glass/diffuser:
Polycarbonate opal diffuser
Cable gland:
Silicon rubber cable gland PG11
Control gear:
Integrated electronic ballast

Voltage: 220-240V 50/60Hz
Beam angle : Simmetric flood beam
Insulation class: Insulation class 1
Weight: 1,200 kg
IP rating: 65
Glow wire: [850 °C]
IK rating: 10
Luminaire wattage:

Review board: 24-10-2012



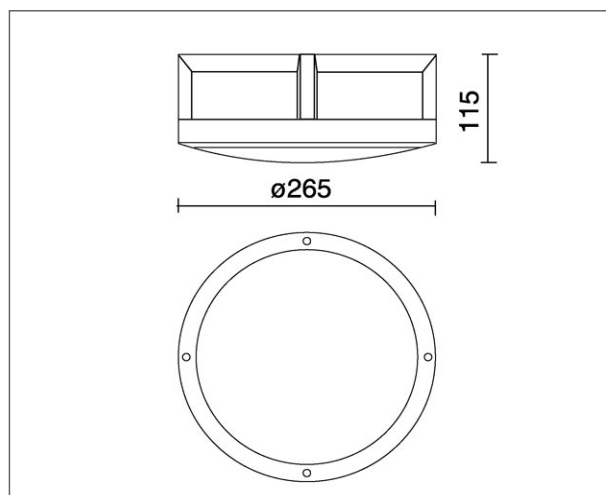
Enax/Emin	180°	90°	0°
24 / 14	Area: NAN x NAN		2 m
6 / 4	Area: NAN x NAN		4 m
3 / 2	Area: NAN x NAN		6 m
2 / 2	Area: NAN x NAN		8 m
1 / 1	Area: NAN x NAN		10 m
1 / 1	Area: NAN x NAN		12 m

CS-C180, 80° x 80° CS-C270, 65° x 65°

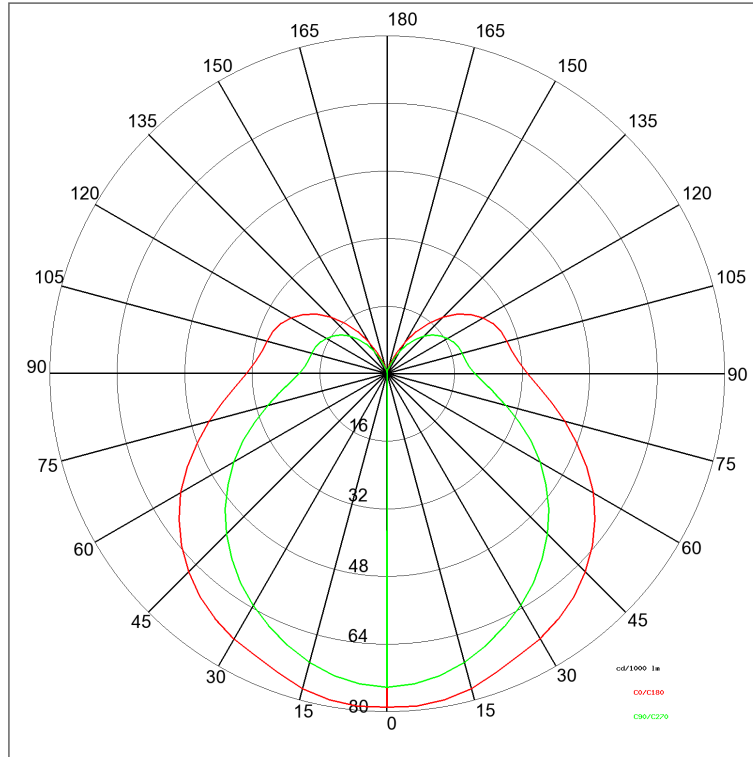
Lamp: 1 x FSMH GX24q 18 W



IK 10 IP 65 A



CERKIO XS
COD: E5440



Emax/Emin		180°	
			0 m
	90°		90°
24 / 14		Area: NAN x NAN	2 m
6 / 4		Area: NAN x NAN	4 m
3 / 2		Area: NAN x NAN	6 m
2 / 2		Area: NAN x NAN	8 m
1 / 1		Area: NAN x NAN	10 m
1 / 1		Area: NAN x NAN	12 m
		0°	
		C0-C180: 80° + 80°	C90-C270: 65° + 65°

CERKIO XS
COD: E5440

